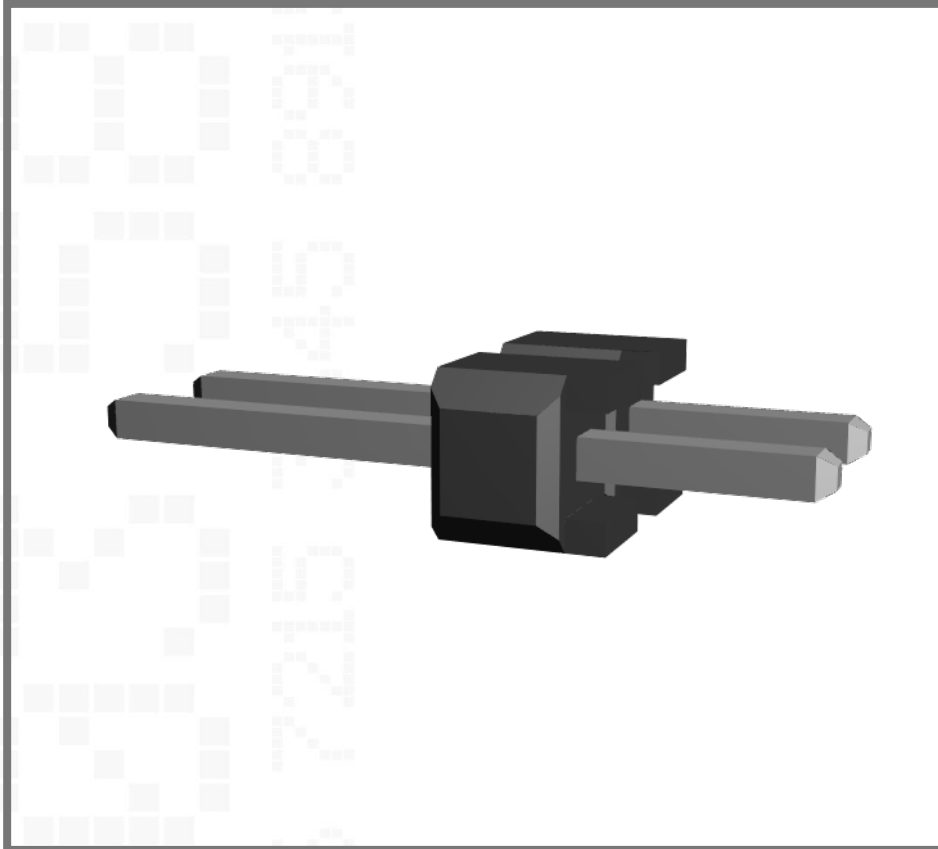


## M20-9990246

2.54mm (0.1") Pitch SIL Vertical PC Tail Pin Header



Single row, 6.1mm mating pin, 3mm PC tail, Tin, 2 contacts

Technical Drawing:

[M20-999.pdf](#)

Website:

[M20-9990246](#)

Component Specification:

[C001XX](#)

[Request an evaluation sample](#)