

# **(GB)** Operating Instructions Chip LED Light with Tripod

Please note: Please read these instructions carefully prior to mounting the light and store them in a safe location afterwards!

## **SPECIFICATIONS**

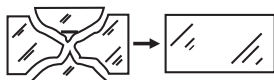
Model:	SL CN 150 V2 IP65, SL CN 150 V2 IP65 GB
Protection class:	I
Type of protection:	IP65
Nominal voltage:	100 - 250 V~ 50/60 Hz
Output:	50 W (1 x 50 W)
Cable:	5 m H07RN-F3G1.0
Protective cover dimensions:	281.5 x 231 x 4 mm
Tripod:	extendable from 0.80 m – max. 1.62 m
Weight:	6.3 kg
Dimensions:	1485 x 760 x 140 mm
max. projected area:	0.06 m <sup>2</sup>

The heavy-duty LED light is suitable for indoor and outdoor lighting applications. The chip LED light with tripod is wired ready for connection and comes with a connecting cable and a safety plug.

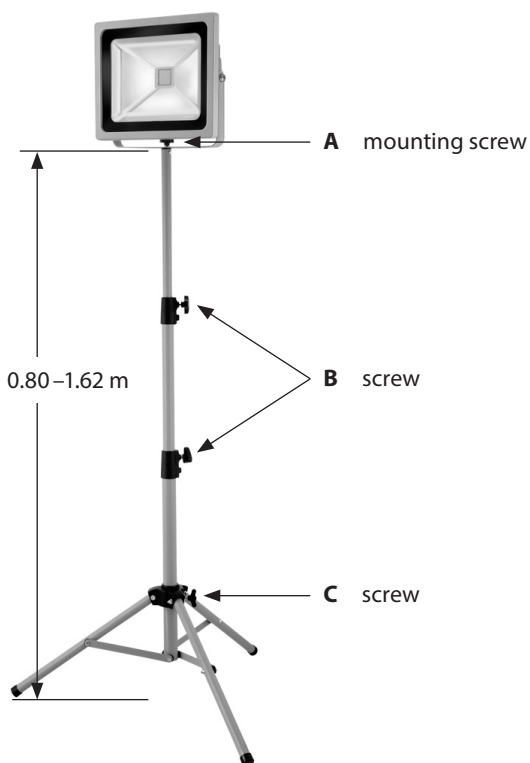
Note: The light is continuously horizontally adjustable within its pivoting range and can be locked in position using the locking screws.

## **SAFETY NOTES**

1. Do not use this light without properly attached gaskets!
2. LED lights are extremely bright! Avoid looking straight into an LED light beam, as doing so could result in irreversible eye damage.
3. Damaged protective covers must be replaced with an original Brennenstuhl protective cover before the light can be used again.



4. If the mains supply cable of the light is damaged it must be replaced by a qualified technician in order to avoid risks.
5. Make sure the tripod is securely placed and stable. Make sure the cable is not crimped or otherwise damaged.

**MOUNTING THE LED LIGHT ON THE TRIPOD**

Loosen screw (C). Unfold the feet of the tripod. Re-tighten screw (C).

Attach the LED light to the tripod with mounting screw (A), using the centre hole of the mounting bracket.

To adjust the height of the tripod, loosen screw (B). Expand the tripod to the desired height and re-tighten screw (B).

**MAINTENANCE AND CLEANING**

Prior to cleaning and maintenance, please unplug the power cable from the outlet.

All maintenance work must be carried out by a qualified electrician.

PLEASE NOTE: The LED light does not contain parts that need servicing. The LED light source cannot be replaced. If necessary, replace the entire light.

Do not use solvents, corrosive cleaners or the like. Use a dry or slightly moist cloth for cleaning ONLY.



**Dispose of electrical devices in an environmentally responsible manner!**  
**Do not dispose of electrical devices with household rubbish!**

In accordance with Directive 2012/19/EU on waste electrical and electronic equipment, used electrical equipment must be collected separately and reused or recycled in an environmentally responsible manner.

Please contact your local authorities for available disposal options for your worn-out device.

**Addresses**

Hugo Brennenstuhl GmbH & Co. KG  
Seestraße 1 – 3 · D-72074 Tübingen

H. Brennenstuhl S.A.S.  
4 rue de Bruxelles · F-67170 Bernolsheim

lectra-t ag  
Blegistrasse 13 · CH-6340 Baar

[www.brennenstuhl.com](http://www.brennenstuhl.com)