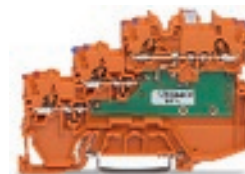




3-conductor sensor supply terminal block; LED (green)

Item No.: 2000-5372/1102-953



3-conductor sensor supply terminal block; LED (green)

Marking

RoHS
Compliant

Business data

Supplier	WAGO
Item no.	2000-5372/1102-953
GTIN / EAN	4055143452335
Content	1
Order amount	15
Customer item number	

Notes

Item description: 3.5 mm spacing per signal (2 x 3.5 mm = 7 mm) The double spacing per pole of this terminal block series maximizes connectivity. For example, ten sensors may be connected using only five sensor terminal blocks plus a power supply terminal block.

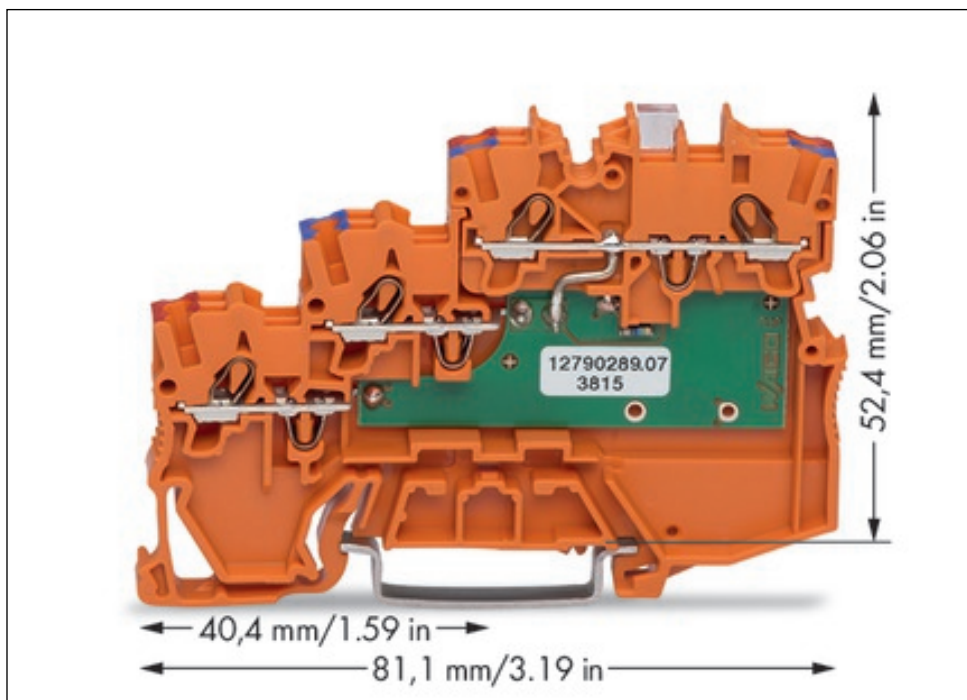
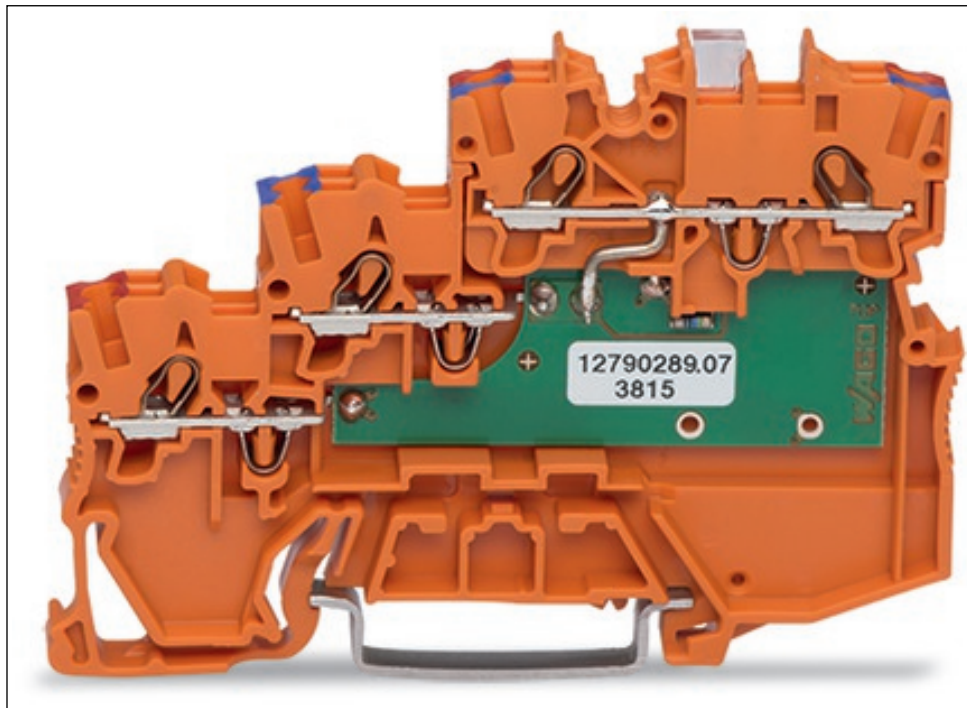
Technical data

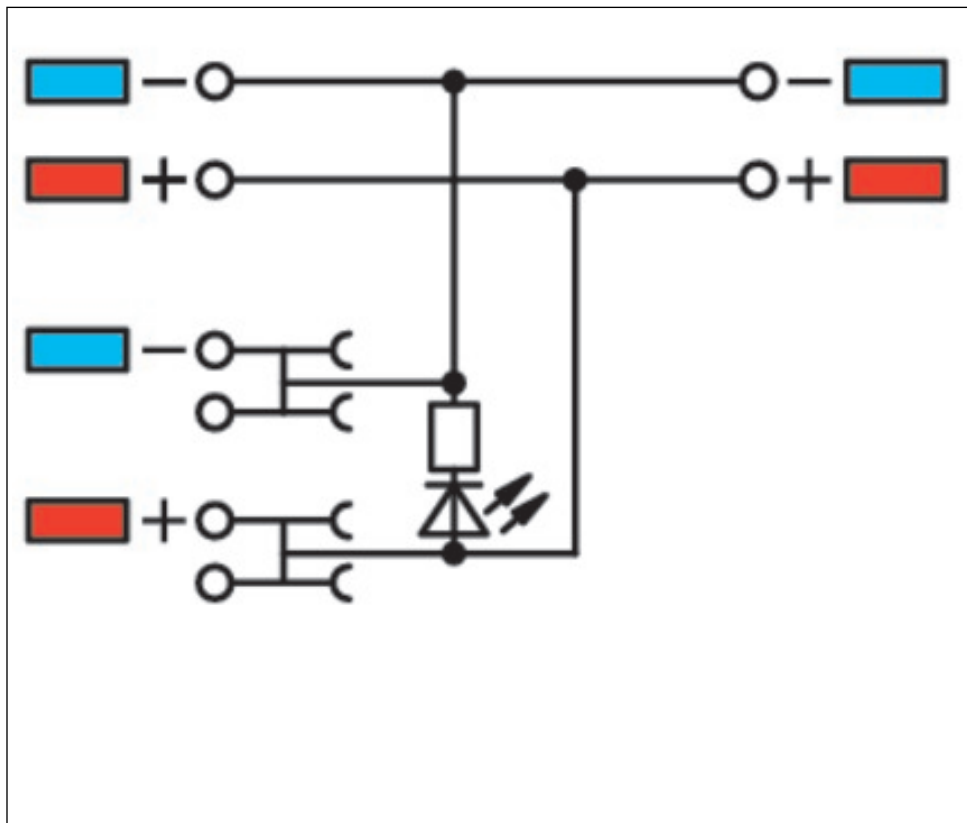
Miscellaneous

Packaging type	BOX
Ratings per	IEC/EN 60947-7-1
Rated current [A]	13.5 [A]
Legend (ratings)	(III / 3) Overvoltage category III / Pollution degree 3

Technical data	
Nominal voltage [V]	24 [V]
Type of wiring	Front-entry wiring
Total number of connection points	8
Total number of potentials	4
Connection technology	Push-in CAGE CLAMP®
Number of connection points (connection type)	8
Actuation type	Push-in
Connectable conductor materials	Copper
Nominal cross section	1 mm ²
Solid conductor	0.14 ... 1.5 mm ² / 24 ... 16 AWG
Solid conductor, push-in termination	0.5 ... 1.5 mm ² / 20 ... 16 AWG
Fine-stranded conductor	0.14 ... 1.5 mm ² / 24 ... 16 AWG
Fine-stranded conductor with ferrule, push-in termination, f	0.5 mm ² / 20 AWG
Strip length	9 ... 11 mm / 0.35 ... 0.43 Inch
Width	7 mm / 0.276 Inch
Height from upper-edge of DIN-35 rail	52.4 mm / 2.063 Inch
Design	horizontal
Type of mounting	Carrier rail 35 x 15
Marking level	Center/side marking
Color	orange
Insulating material	Polyamide 66 (PA 66)
Fire load [MJ]	1.259 [MJ]
Weight [g]	16.091 [g]

Images & drawings





Address

WAGO Kontakttechnik GmbH & Co. KG

Hansastr. 27

32423 Minden

Telefon: 0571/887-0

Fax: 0571/887-169

<http://www.wago.com>

© WAGO Kontakttechnik GmbH & Co. KG

Technische Änderungen und Irrtümer vorbehalten.