

**Industrial Ethernet
IE-XR-RJ45/RJ45-2**

Weidmüller Interface GmbH & Co. KG
Klingenbergstraße 16
D-32758 Detmold
Germany
Fon: +49 5231 1429-0
Fax: +49 5231 14292083
www.weidmueller.com



IE plug-in connectors, IP20, for copper and fibre optic cables

General ordering data

Type	IE-XR-RJ45/RJ45-2
Order No.	8952950000
Version	Mounting flange, Cat.6A / Class EA (ISO/IEC 11801 2010), IP20
GTIN (EAN)	4032248744329
Qty.	24 pc(s).

Data sheet

**Industrial Ethernet
IE-XR-RJ45/RJ45-2**

Weidmüller Interface GmbH & Co. KG
 Klingenbergstraße 16
 D-32758 Detmold
 Germany
 Fon: +49 5231 1429-0
 Fax: +49 5231 14292083
 www.weidmueller.com

Technical data

Dimensions and weights

Net weight 21.42 g

Temperatures

Operating temperature -40 °C...70 °C Storage temperature
 Installation temperature

General data

Housing main material	Zinc diecast	Category	Cat.6 _A / Class E _A (ISO/IEC 11801 2010)
Protection degree	IP20	Insertion force	≤ 30 N
Plugging cycles	750		

Electrical properties

Contact resistance	≤ 20 mΩ	Current-carrying capacity at 50 °C	1 A
Dielectric strength, contact / contact	≥ 1000 V DC	Dielectric strength, contact / shield	≤ 1500 V DC
Insulation resistance	> 500 MΩ	PoE / PoE+	conforming to IEEE 802.3at

Standards

Connector standard IEC 60603-7-5

Classifications

ETIM 6.0	EC001121	eClass 6.2	27-25-05-04
eClass 7.1	27-25-05-04	eClass 8.1	19-17-01-25
eClass 9.0	19-17-01-25	eClass 9.1	27-44-09-90

Approvals

Approvals



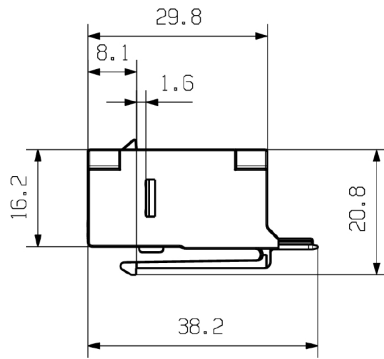
ROHS Conform

**Industrial Ethernet
IE-XR-RJ45/RJ45-2**

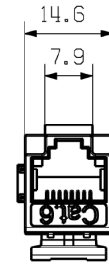
Weidmüller Interface GmbH & Co. KG
 Klingenbergstraße 16
 D-32758 Detmold
 Germany
 Fon: +49 5231 1429-0
 Fax: +49 5231 14292083
 www.weidmueller.com

Drawings

Dimensioned drawing



Dimensioned drawing



Installation cut-out

