

THC-B220 HD 1080p EXIR Bullet Camera



Key Features

- 2 megapixel high-performance CMOS
- Analog HD output, up to 1080p resolution
- 2.8 mm fixed focal lens
- Day/Night switch
- DNR
- Smart IR
- Up to 40 m IR distance
- Switchable TVI/AHD/CVI/CVBS
- IP66

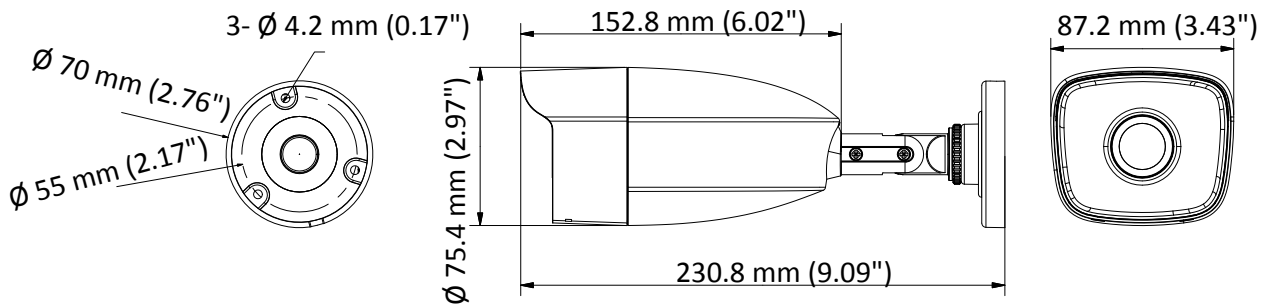
Specifications

Camera	
Image Sensor	2 MP CMOS image sensor
Signal System	PAL/NTSC
Effective Pixels	1920 (H) × 1080 (V)
Min. illumination	0.01 Lux@(F1.2, AGC ON), 0 Lux with IR
Shutter Time	1/25 (1/30) s to 1/50,000 s
Lens	2.8 mm, 3.6 mm, 6 mm
	Field of view : 92° (2.8 mm), 70.9° (3.6 mm), 56.7° (6 mm)
Lens Mount	M12
Day & Night	ICR
Angle Adjustment	Pan: 0° to 360°, Tilt: 0° to 180°, Rotation: 0° to 360°
Synchronization	Internal synchronization
Video Frame Rate	1080p@25fps/1080p@30fps
HD Video Output	1 analog HD output
S/N Ratio	> 62dB
General	
Operating Conditions	-40 °C to 60 °C (-40 °F to 140 °F), Humidity: 90% or less (non-condensation)
Power Supply	12 V DC ± 15%
Power Consumption	Max. 4 W
Protection Level	IP66
Material	Metal
IR Range	Up to 40 m
Dimensions	∅ 75.4 mm × 230.8 mm × 152.8 mm (∅ 2.97" × 9.09" × 6.02")
Weight	560 (1.23 lb.)

Order Model

THC-B220

Dimensions



Accessories



DS-1280ZJ-XS
Junction Box



DS-1H18
Video Balun