

PLEASE CHECK WWW.MOLEX.COM FOR LATEST PART INFORMATION

Part Number: [2008750006](#)
Status: **Active**
Overview: Micro-Fit 3.0 Connector System Product Family
Description: Micro-Fit* TPA Plug Housing, Single Row, 6 Circuits, UL 94V-0, Low-Halogen, Black

Documents:

Drawing (PDF)	RoHS Certificate of Compliance (PDF)
Product Specification PS-43650 (PDF)	Product Literature (PDF)
Packaging Specification 2008750000-PK-000 (PDF)	

Agency Certification

CSA	LR19980
UL	E29179

General

Product Family	Crimp Housings
Series	200875
Application	Power, Wire-to-Wire
Comments	See Product Specification for maximum current rating by circuit size and wire AWG
Overview	Micro-Fit 3.0 Connector System Product Family
Product Literature Order No	987650-5984
Product Name	Micro-Fit TPA
UPC	191128228862

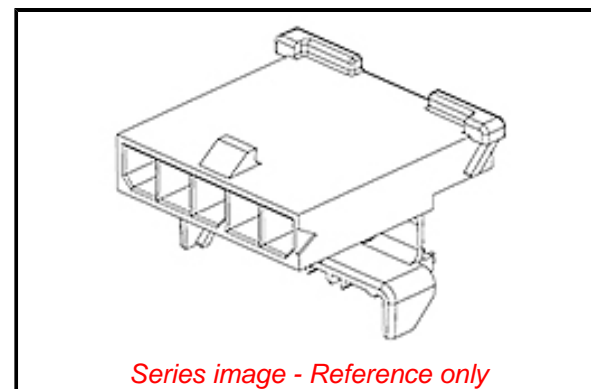
Physical

Circuits (maximum)	6
Color - Resin	Black
Flammability	94V-0
Gender	Plug
Glow-Wire Compliant	No
Keying to Mating Part	None
Lock to Mating Part	Yes
Material - Resin	Nylon
Net Weight	0.740/g
Number of Rows	1
Packaging Type	Bag
Panel Mount	No
Pitch - Mating Interface	3.00mm
Polarized to Mating Part	Yes
Stackable	No
Temperature Range - Operating	-40°C to +105°C

Material Info

Reference - Drawing Numbers

Packaging Specification	2008750000-PK-000
Product Specification	PS-43650
Sales Drawing	2008750000-SD-000



Series image - Reference only

EU ELV

Compliant

EU RoHS

Compliant

REACH SVHC

Not Contained Per - ED/30/2017 (7 July 2017)

Halogen-Free

Status

Low-Halogen

Need more information on product environmental compliance?

Email productcompliance@molex.com
Please visit the [Contact Us](#) section for any non-product compliance questions.

China ROHS	Green Image
ELV	Compliant
RoHS Phthalates	Not Contained

Search Parts in this Series

[200875 Series](#)

Mates With

Micro-Fit* TPA Receptacle Housing [171850](#)

Micro-Fit 3.0 Receptacle Housing [43645](#)

Use With

Micro-Fit 3.0 Male Crimp Terminal [43031](#)