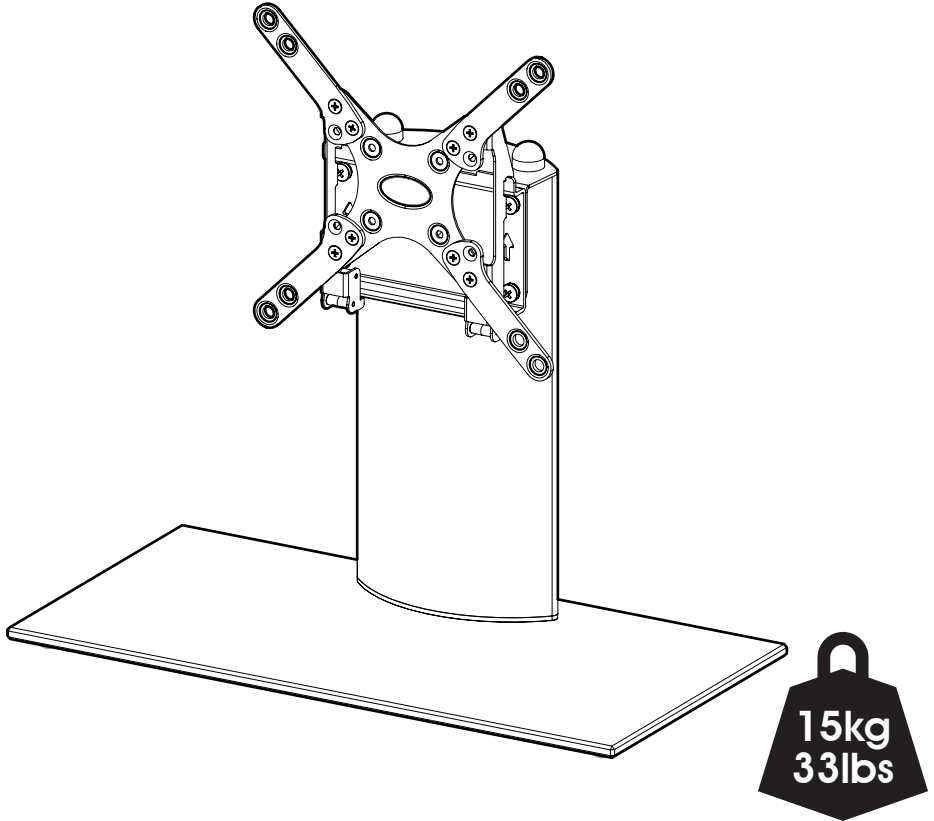


PRO-SIGNAL

Universal Table Top Stand/Base



Read through ALL instructions before commencing installation.

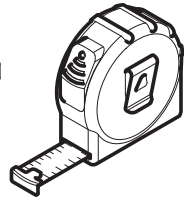
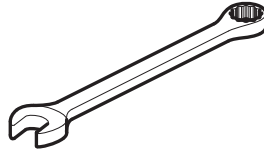
Retain all packaging in case the product needs to be returned.

Contents may vary from photography / illustrations.

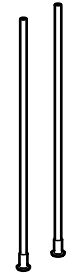
You will not need all these parts, so expect there to be some left over depending upon the specification of your TV.

This product is intended for indoor use only. Use of this product outdoors could lead to failure and personal injury.

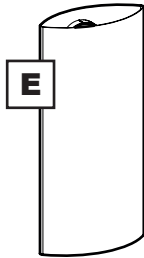
Tools Recommended



Boxed Parts



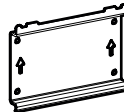
G x2



E



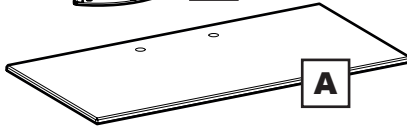
B



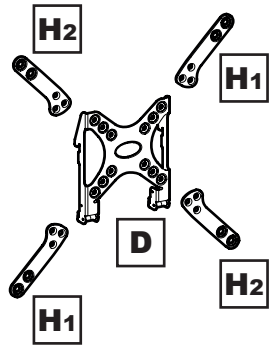
C



F



A



H2

H1

D

H2

H1



I x8



J x8



K x4



L x4



M x4



N x2



O x2



P1 x4



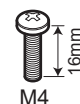
P2 x4



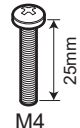
Q1 x12



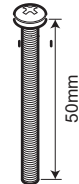
Q2 x4



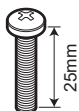
R1 x4



R2 x4



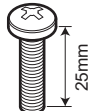
R3 x4



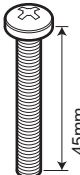
R4 x4



R5 x4



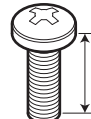
R6 x4



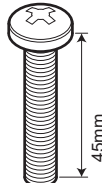
R7 x4



R8 x4

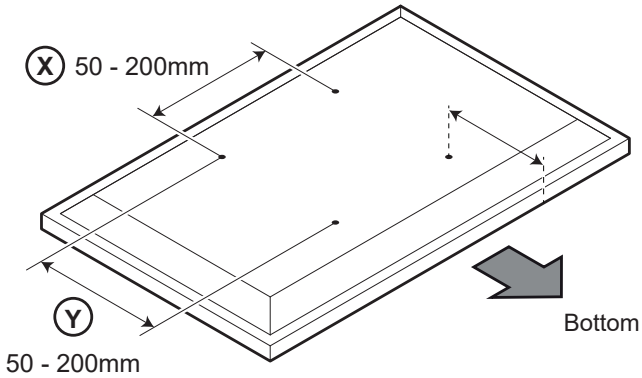


R9 x4



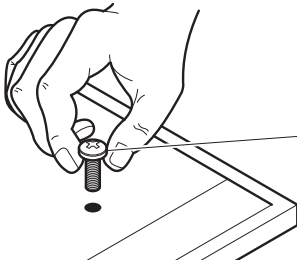
R10 x4

Measure the TV fixing holes Width and Height



If width X is greater than 200mm or height Y greater than 200mm, **OR** if the distance from the bottom fixing holes to the bottom of your TV is more than 200mm, **STOP** installation now and contact the customer helpline.

You are provided with 4 diameters of TV fixing screws, **M4**, **M5**, **M6** and **M8**. Determine the screw diameter that fits and remember for step 3.



M4 = **R1/R2/R3**

M6 = **R5/R6/R7**

M5 = **R4**

M8 = **R8/R9/R10**

Preparing the TV Mounting Plate

Use the option that fits your TV

OPTION 1

 50mm x 50mm 75mm x 75mm 100mm x 100mm

OPTION 2

 100mm x 200mm

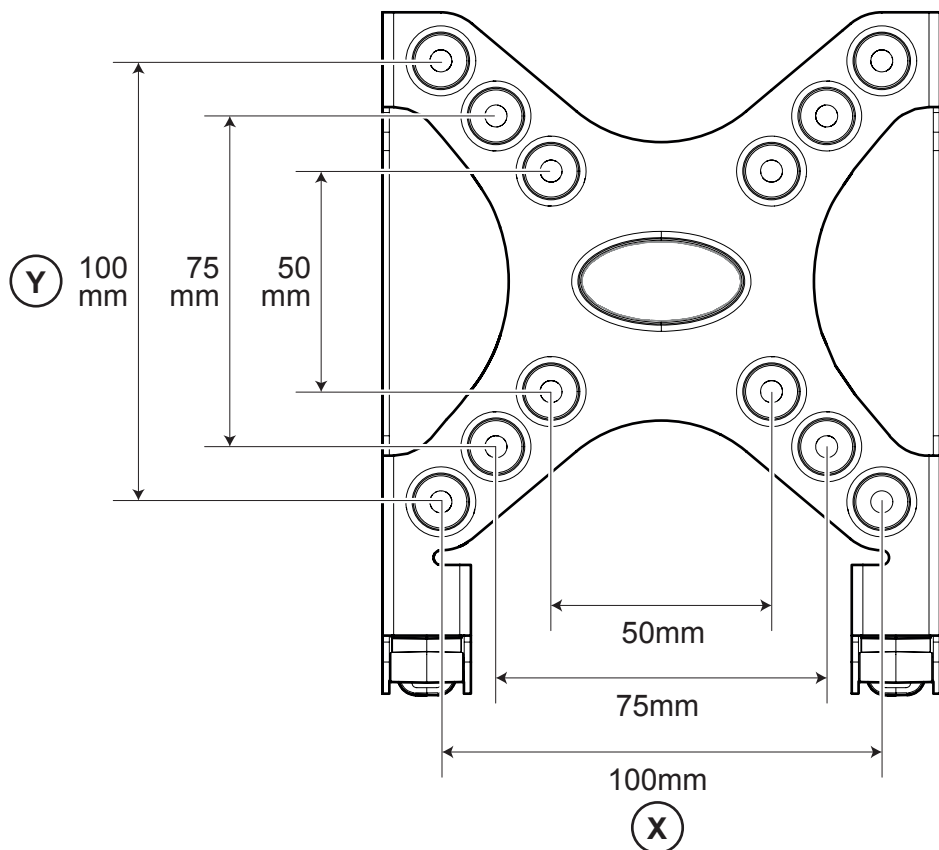
OPTION 3

 200mm x 100mm

OPTION 4

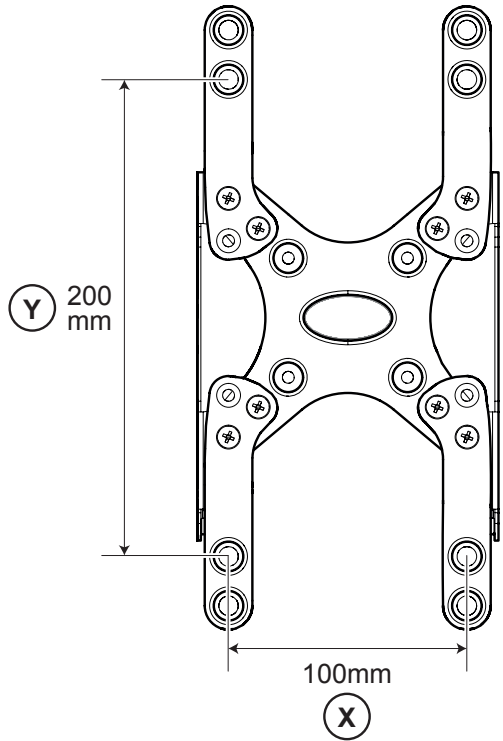
 200mm x 200mm

OPTION 1

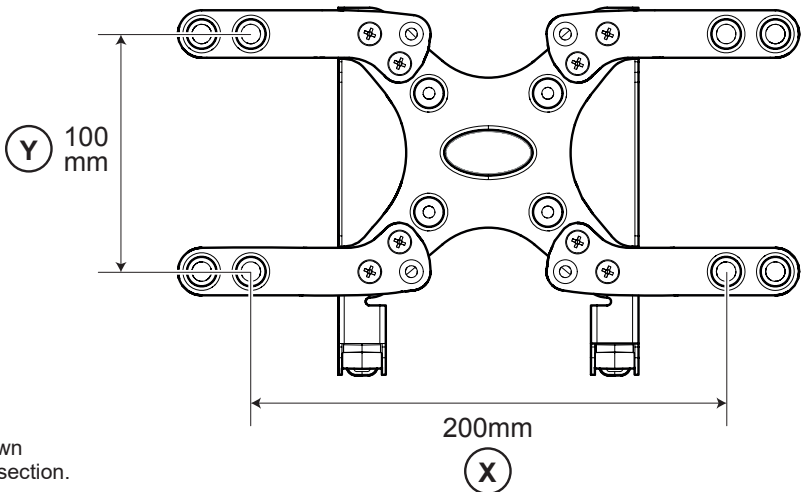


OPTION 2

Assemble as shown
at the end of this section.



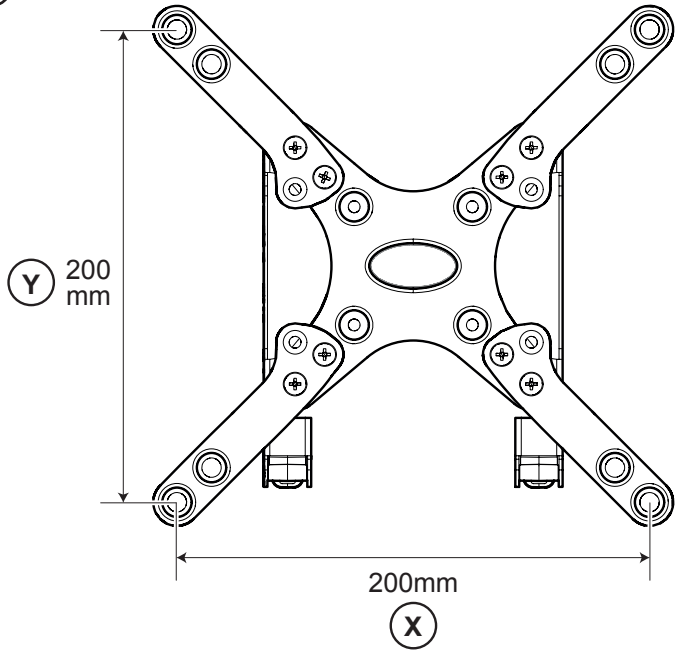
OPTION 3



Assemble as shown
at the end of this section.

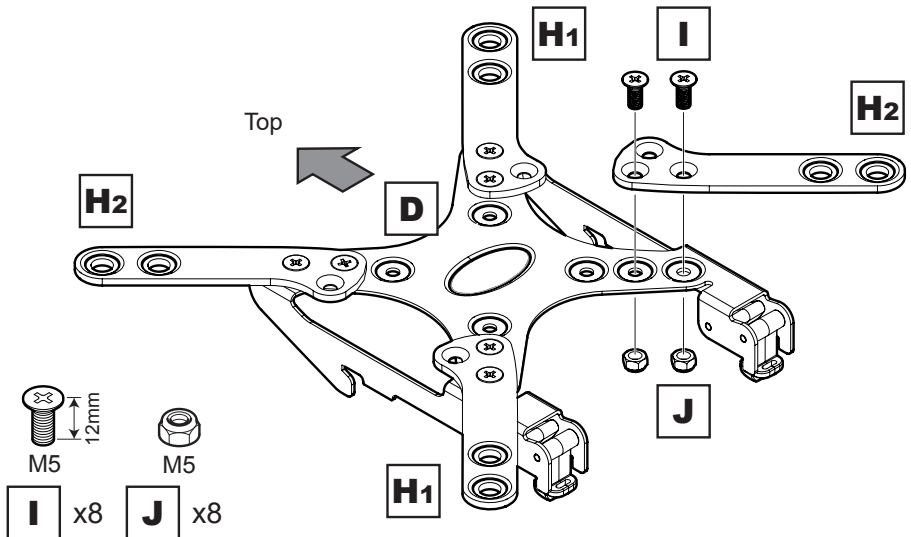
OPTION 4

Assemble as shown
at the end of this section.



Adaptor assembly method.

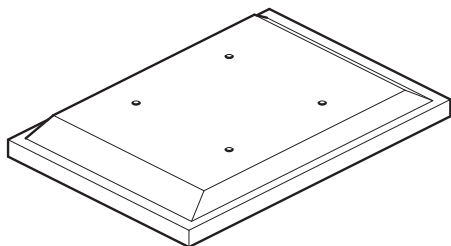
(Example shown is 200 x 200 fixings)



Fitting the TV Mounting Plate

No Spacers

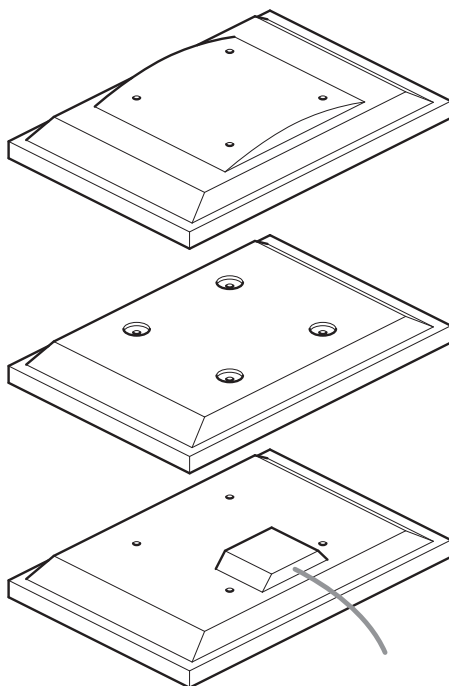
For TVs with flat / unobstructed back



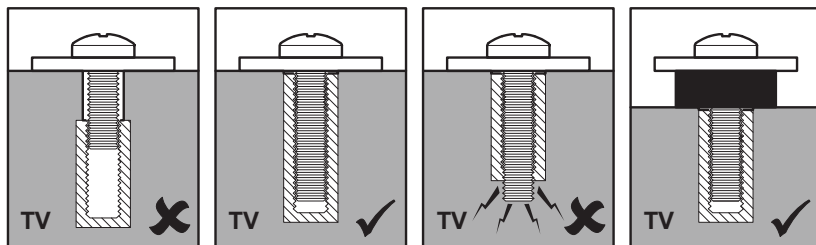
Spacers

Q1/Q2

For TVs with irregular / obstructed back

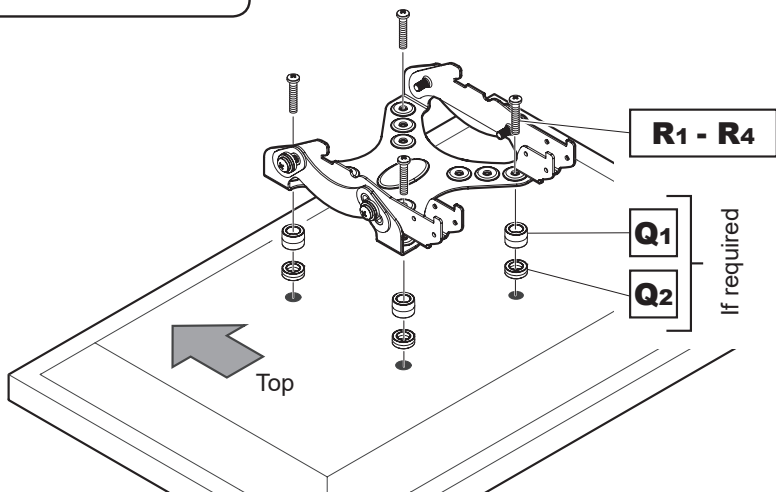


WARNING

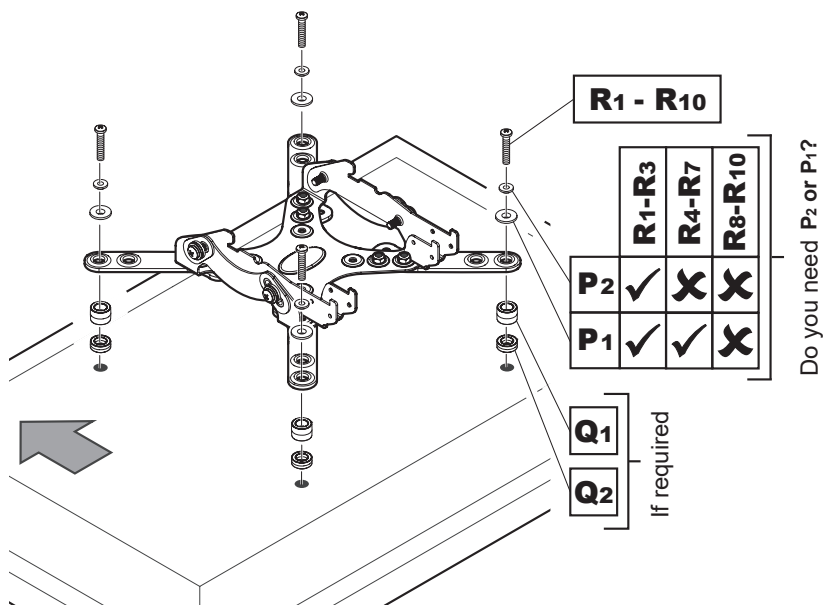


After completing step 3 you will have fittings left over, please keep for future reference

OPTION 1



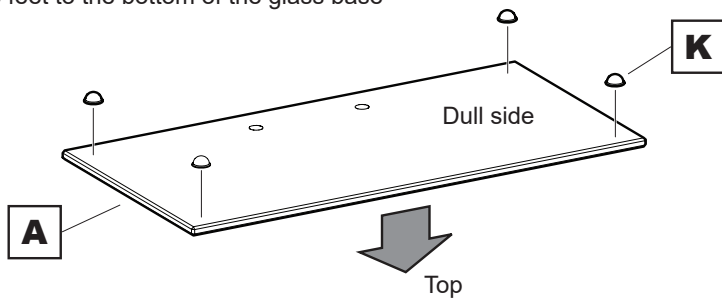
OPTION 2, 3 & 4



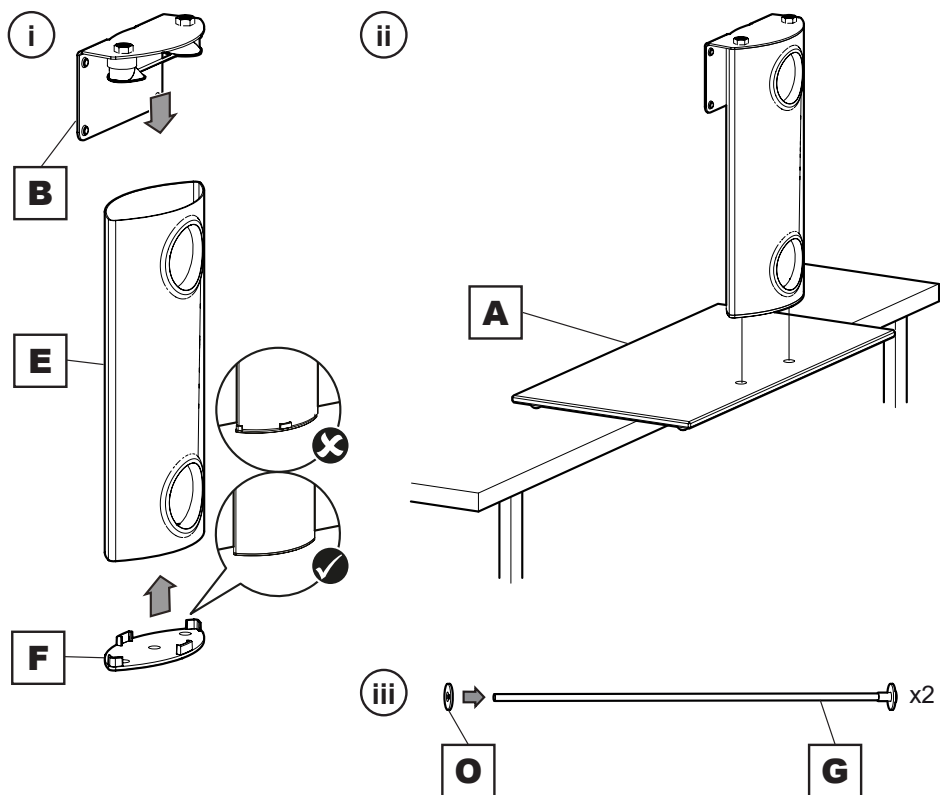
Attach the bracket to the back of your TV using suitable screw, reducer and spacer combinations

Assemble the Base

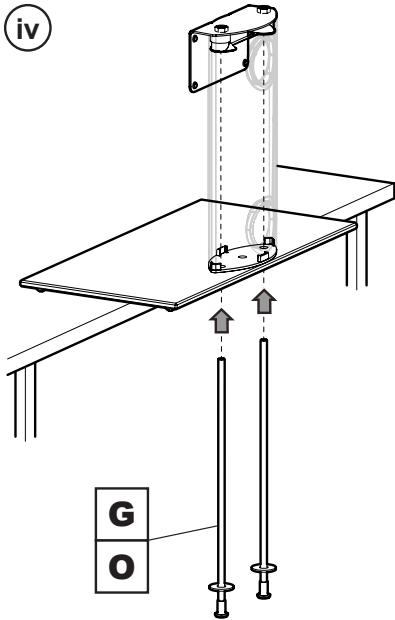
Attach the feet to the bottom of the glass base



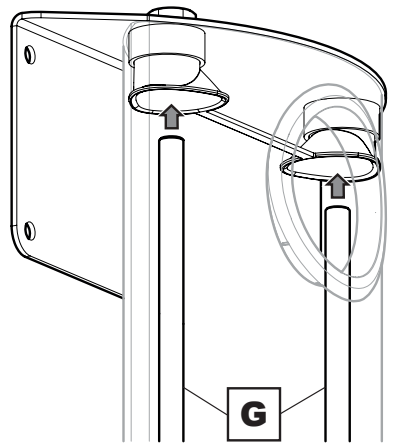
Assemble the column



iv

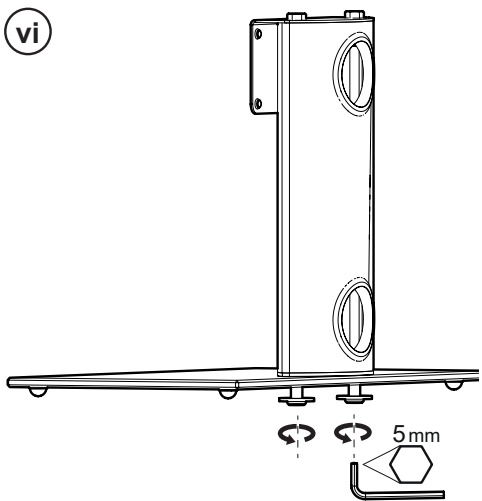


v

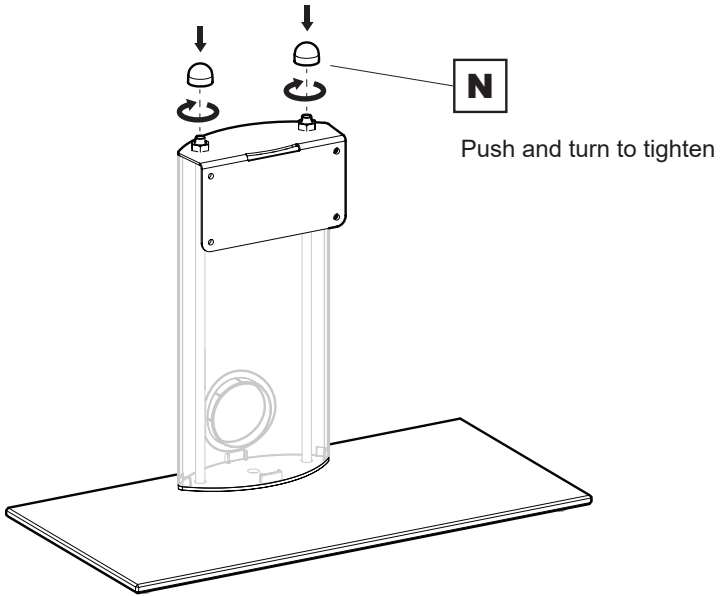


Push your fingers through the cable management hole and use them to guide **G** into position.

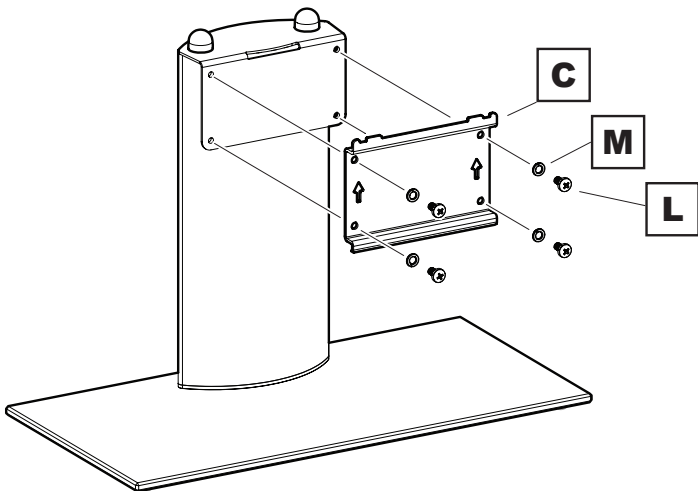
vi



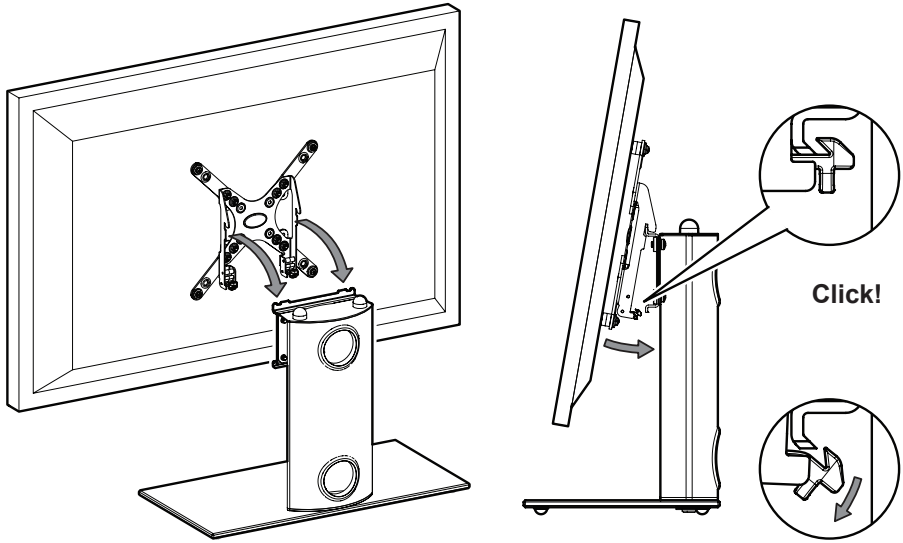
Attach the nut covers



Attach the horizontal plate



Connecting the TV



To remove TV

Manage cables through the column

