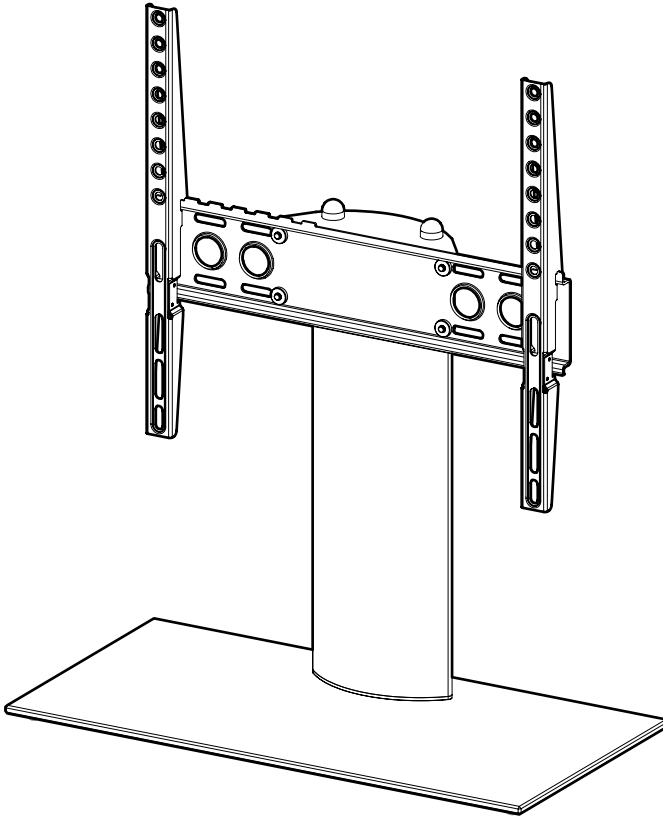


PRO-SIGNAL

Universal Table Top Stand/Base



Read through ALL instructions before commencing installation.

Retain all packaging in case the product needs to be returned.

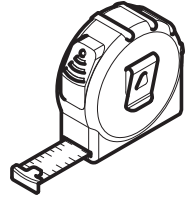
Contents may vary from photography / illustrations.

You will not need all these parts, so expect there to be some left over depending upon the specification of your TV.

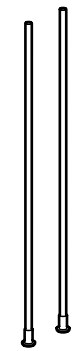
This product is intended for indoor use only. Use of this product outdoors could lead to failure and personal injury.

Tools Recommended

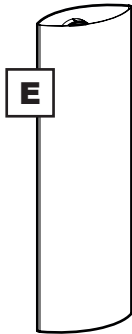
5 mm



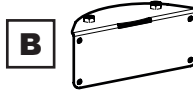
Boxed Parts



G x2

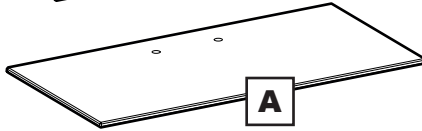
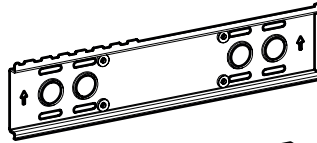


F

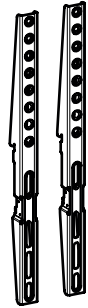


B

D



A



C x2



H x4



I x2



J x4



K x4



L x2



M1 x4



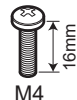
M2 x4



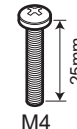
O1 x12



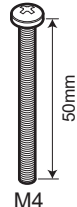
O2 x4



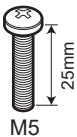
N1 x4



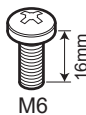
N2 x4



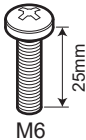
N3 x4



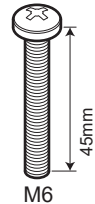
N4 x4



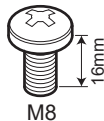
N5 x4



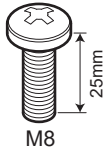
N6 x4



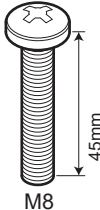
N7 x4



N8 x4

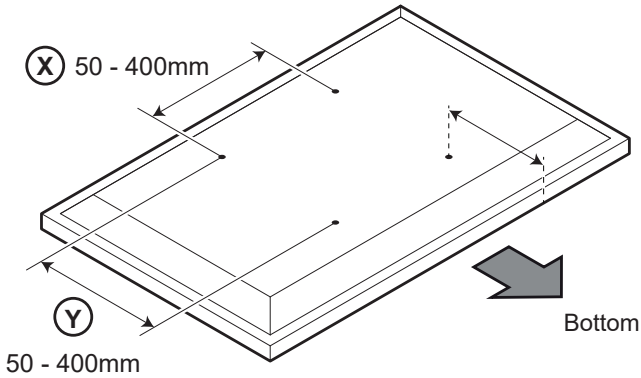


N9 x4



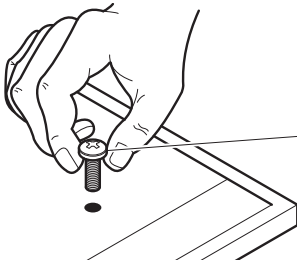
N10 x4

Measure the TV fixing holes Width and Height



If width (X) is greater than 400mm or height (Y) greater than 400mm, **OR** if the distance from the bottom fixing holes to the bottom of your TV is more than 400mm, **STOP** installation now and contact the customer helpline.

You are provided with 4 diameters of TV fixing screws, **M4**, **M5**, **M6** and **M8**. Determine the screw diameter that fits and remember for step 3.



M4 = **N1/N2/N3**

M6 = **N5/N6/N7**

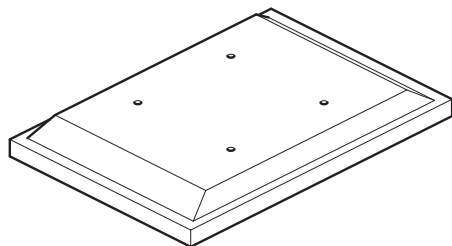
M5 = **N4**

M8 = **N8/N9/N10**

Fitting the TV Mounting Plate

No Spacers

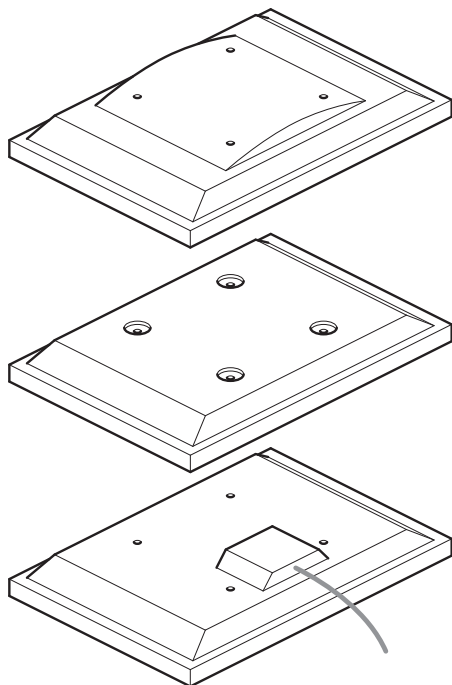
For TVs with flat / unobstructed back



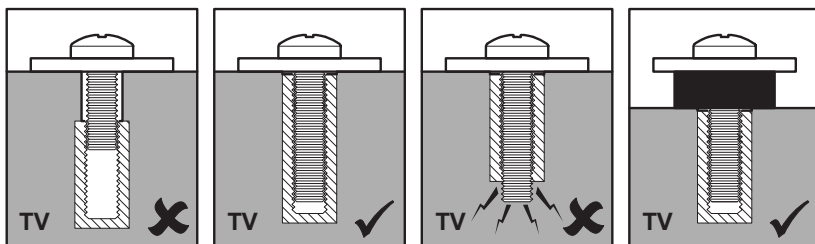
Spacers

O1/O2

For TVs with irregular / obstructed back

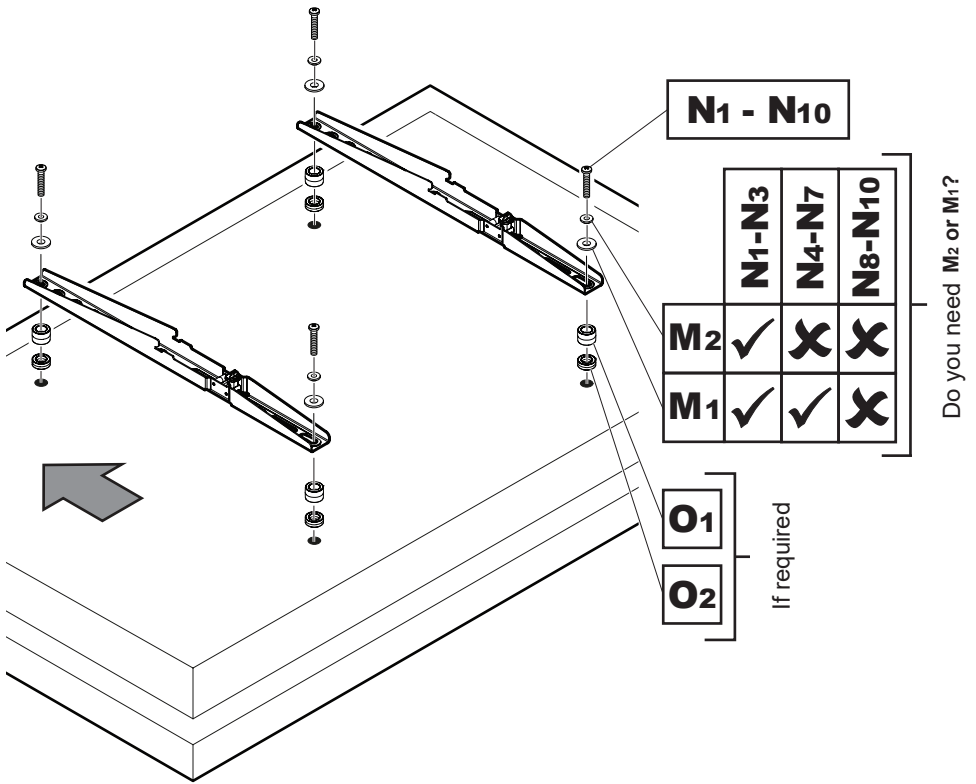


WARNING



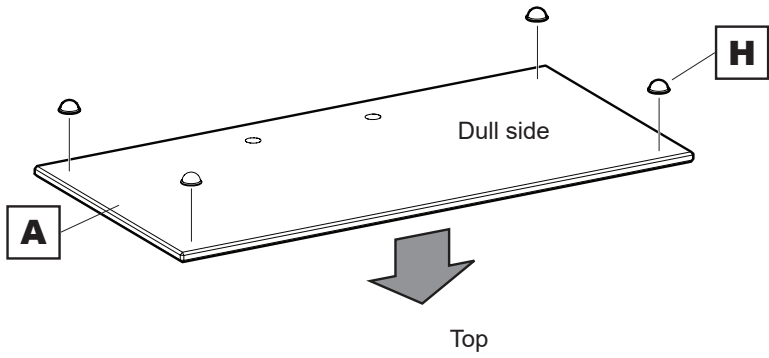
After completing step 2 you will have fittings left over, please keep for future reference

Attach the bracket to the back of your TV using suitable screw, reducer and spacer combinations

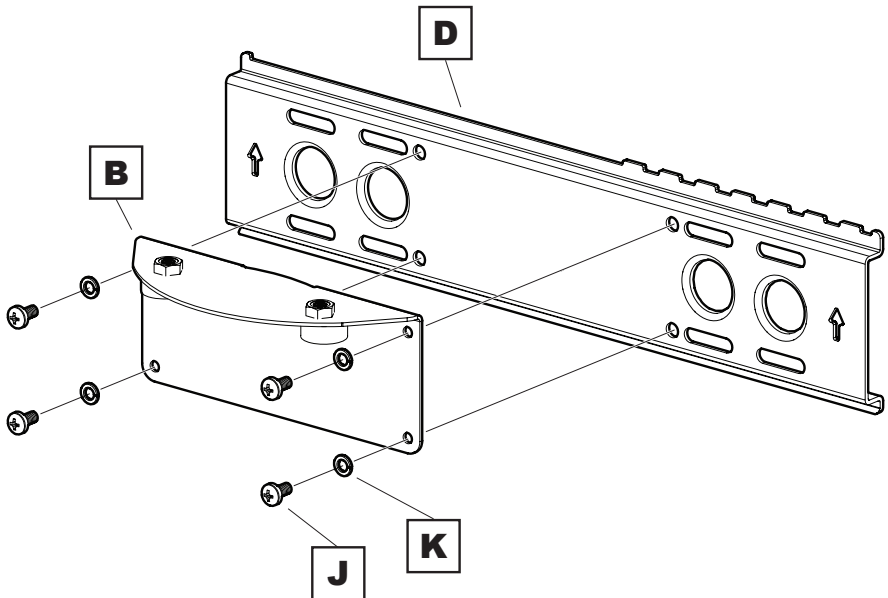


Assemble the Base

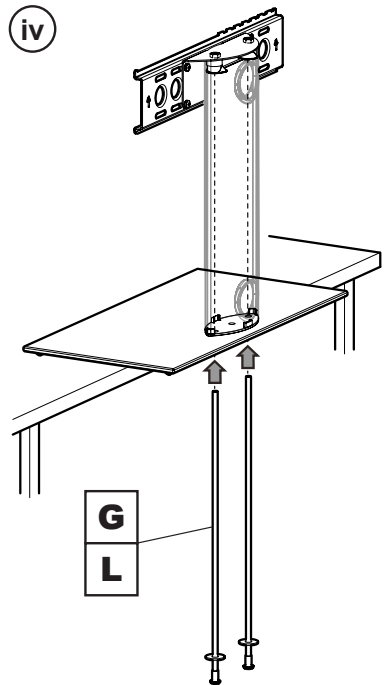
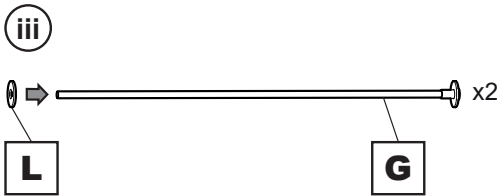
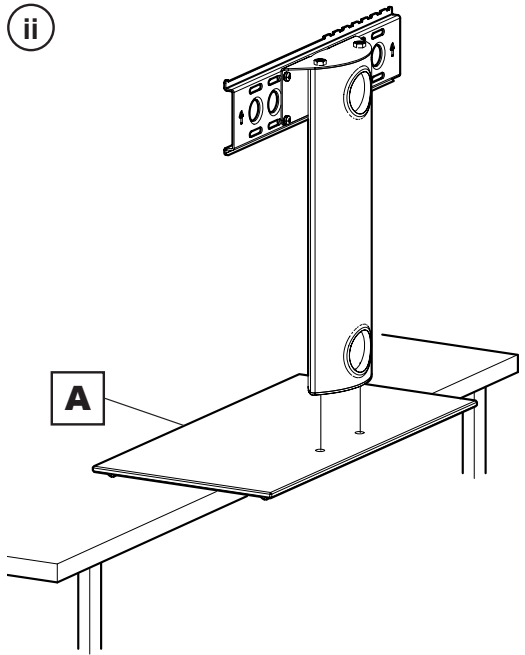
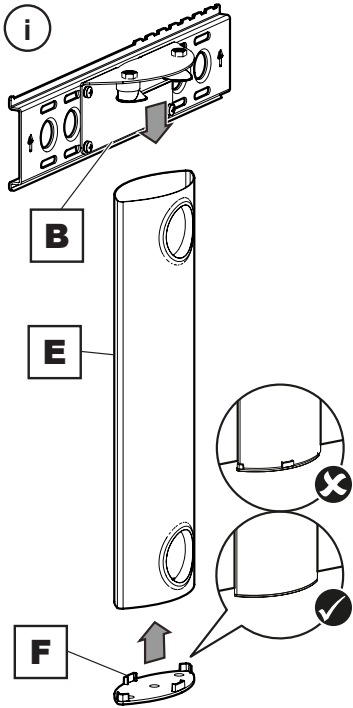
Attach the feet to the bottom of the glass base

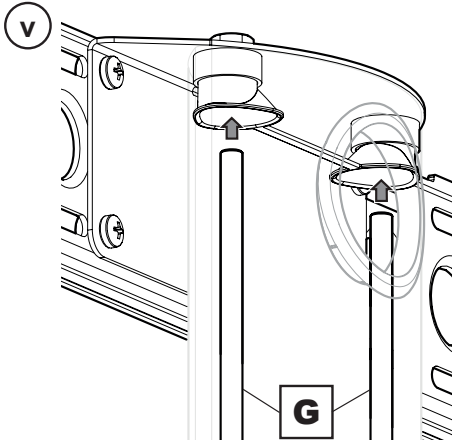


Attach the horizontal plate

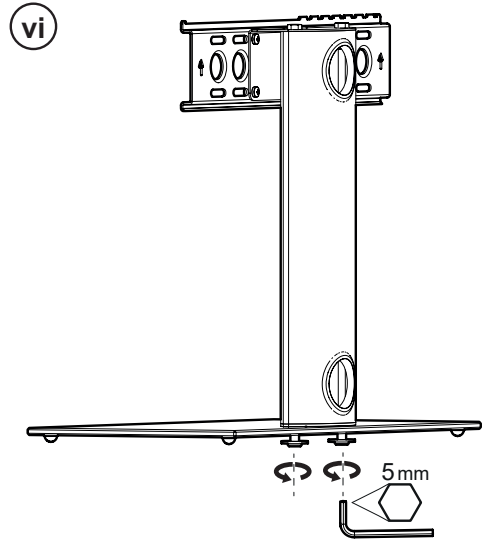


Assemble the column

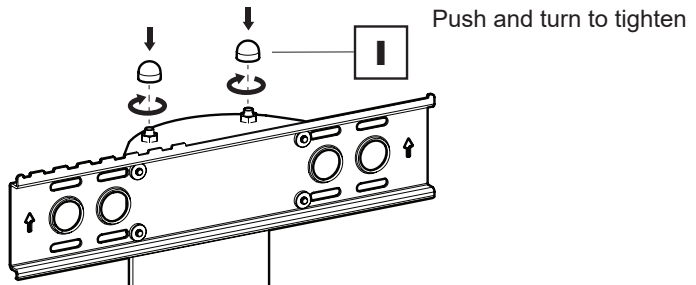


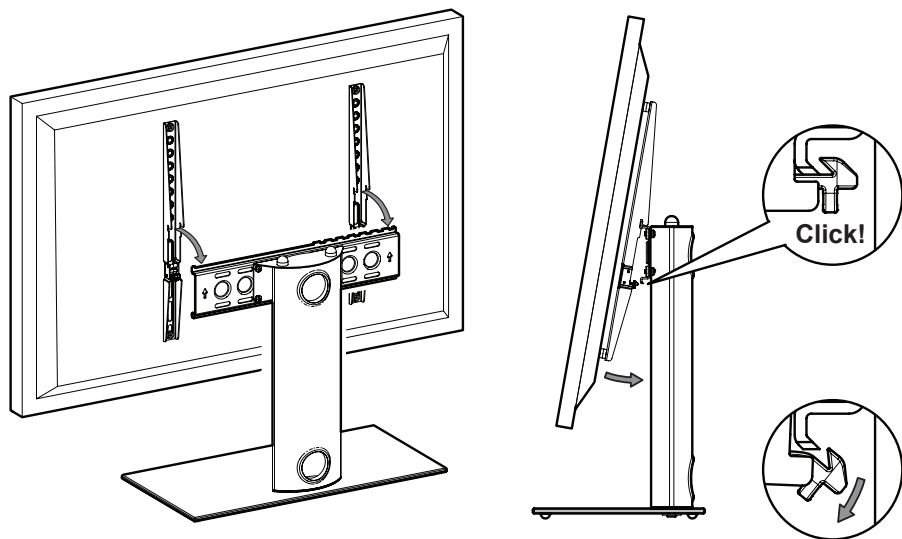


Push your fingers through the cable management hole and use them to guide **G** into position.



Attach the nut covers





To remove TV

Manage cables through the column

