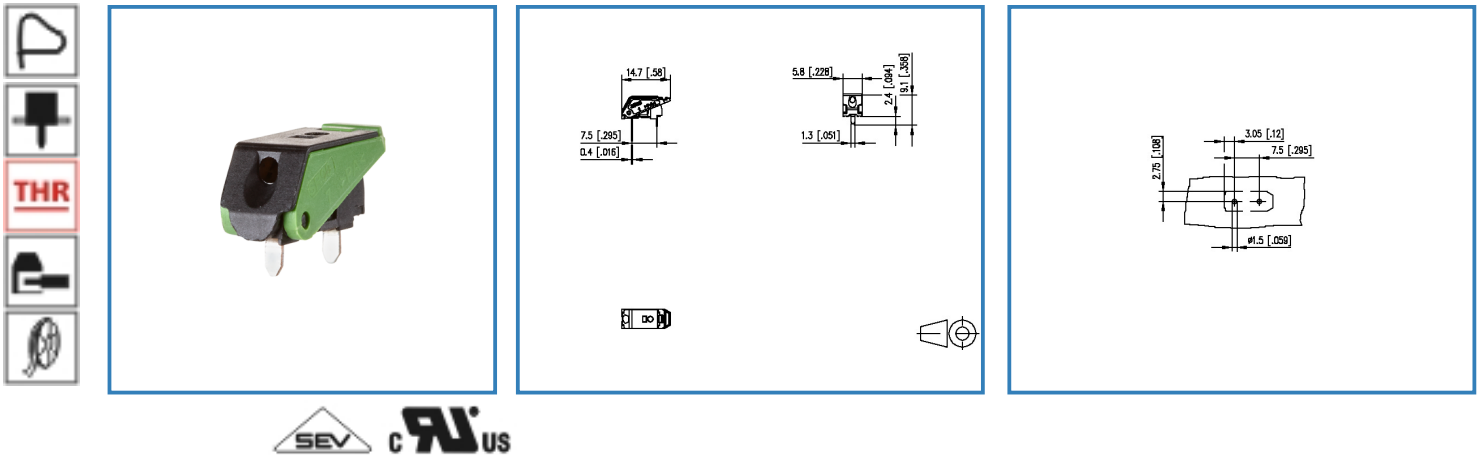


Data Sheet

SR99S01VBNN03G7 green

Illustration



see enlarged drawing at the end of the document

Product specification

- spring clamp terminal block, THR solderable, double solder pins
- direction of connection 90°
- fittable without loss of poles
- color green
- Tape & Reel packaging
- finger push-button
- test point and wire connection indicator
- Variants: black, creme white, yellow, green, red, blue

Data Sheet

SR99S01VBNN03G7 green

Technical Data

General Data

| | |
|---------------------------|---------|
| Solder pin length | 2.4 mm |
| min. number of poles | 1 |
| max. number of poles | 1 |
| Insulating material class | CTI 600 |
| protection category | IP 00 |
| Min. insul. strip length | 7 mm |

Connection data

| | |
|----------------------------|---|
| Rated wiring solid wire | 0.2 - 1.5 mm ² / AWG 24 - 16 |
| Rated wiring stranded wire | 0.2 - 1.5 mm ² / AWG 24 - 16 |

Approvals

| | |
|---|-------------------|
|  V / A / AWG | 300 / 9 / 24 - 16 |
|  0,75 mm ² | T60 |

Material

| | |
|-----------------------------|--------------|
| insulating material | PA66/6T |
| flammability class | V0 |
| spring material | Spring steel |
| contact material | CuSn |
| Glow-Wire Flammability GWFI | 960 |
| Glow-Wire Flammability GWIT | 775 |
| contact surface | Sn |

Climatic properties

| | |
|-------------------------|--------|
| upper limit temperature | 105 °C |
| lower limit temperature | -40 °C |

General

| | |
|---------------|------------------------------------|
| solderability | Acc. to IPC/JEDEC J-STD-020D-MSL 1 |
| Tolerance | ISO 2768 -mH |

Data Sheet

SR99S01VBNN03G7 green

Page 3/4

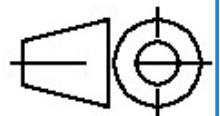
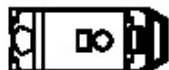
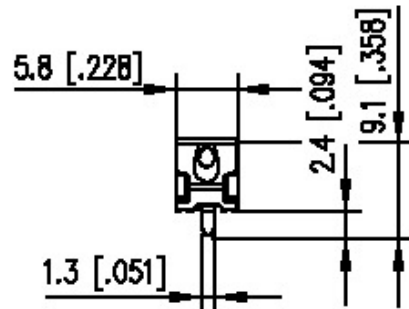
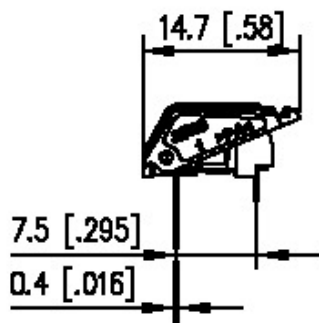
P/N

SR99S01VBNN03G7

2017/01/25

Illustration

Drawing



Data Sheet

SR99S01VBNN03G7 green

Page 4/4

P/N

SR99S01VBNN03G7

2017/01/25

PCB Layout

