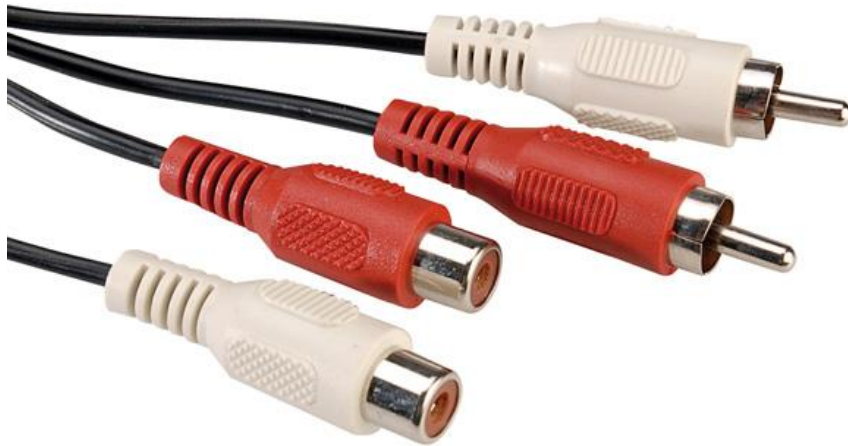




Datenblatt - Fiche technique - Data sheet

**11.09.4330**

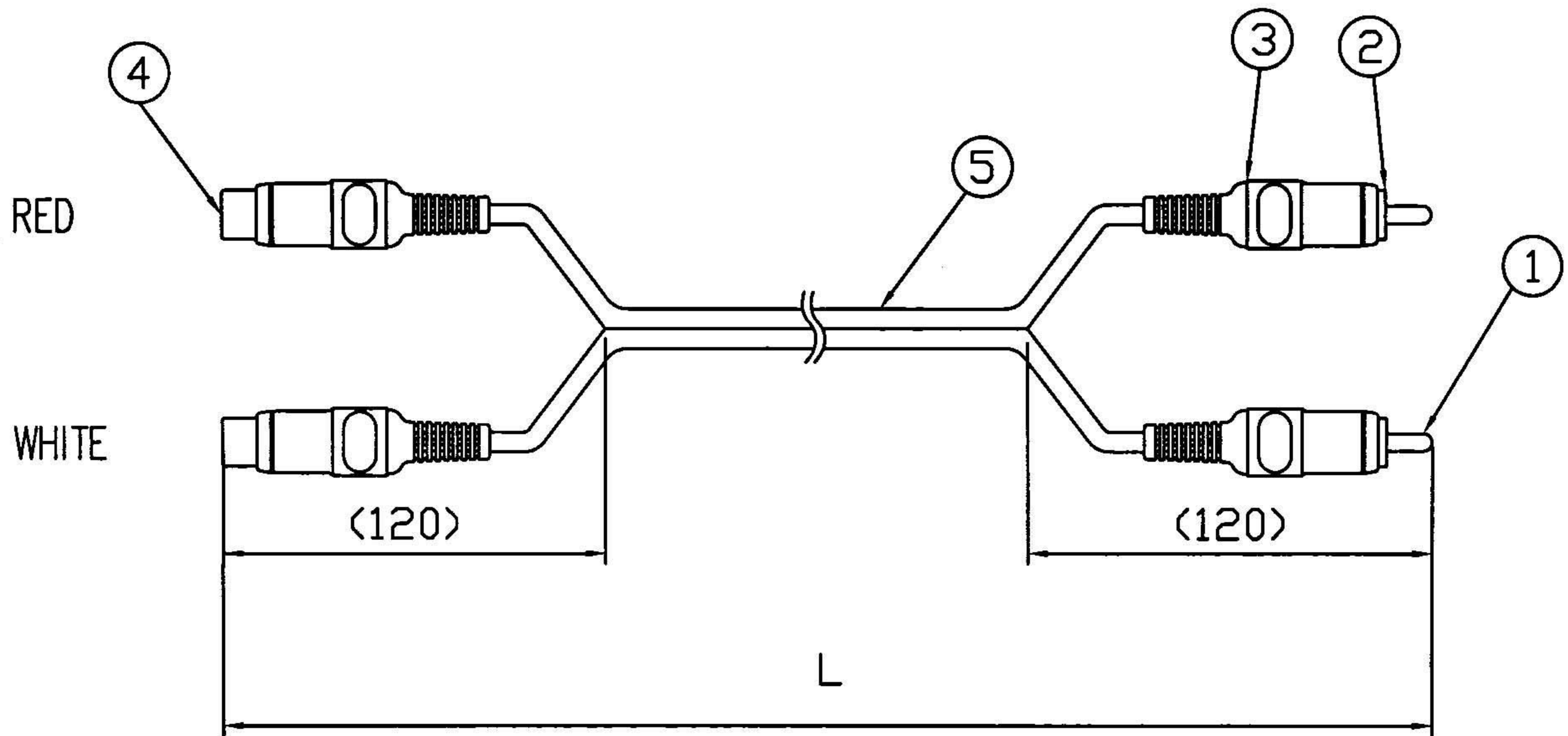


ROLINE Cinch-Verlängerungskabel duplex ST/BU, 10m

ROLINE Câble rallonge 2x RCA M/F, 10m

ROLINE Cinch Extension Cable, 2x RCA M-F, 10 m

# 1. DIMENSION



| Item no.   | L         |
|------------|-----------|
| 11.09.4322 | 1500±50   |
| 11.09.4326 | 5000±150  |
| 11.09.4330 | 10000±200 |

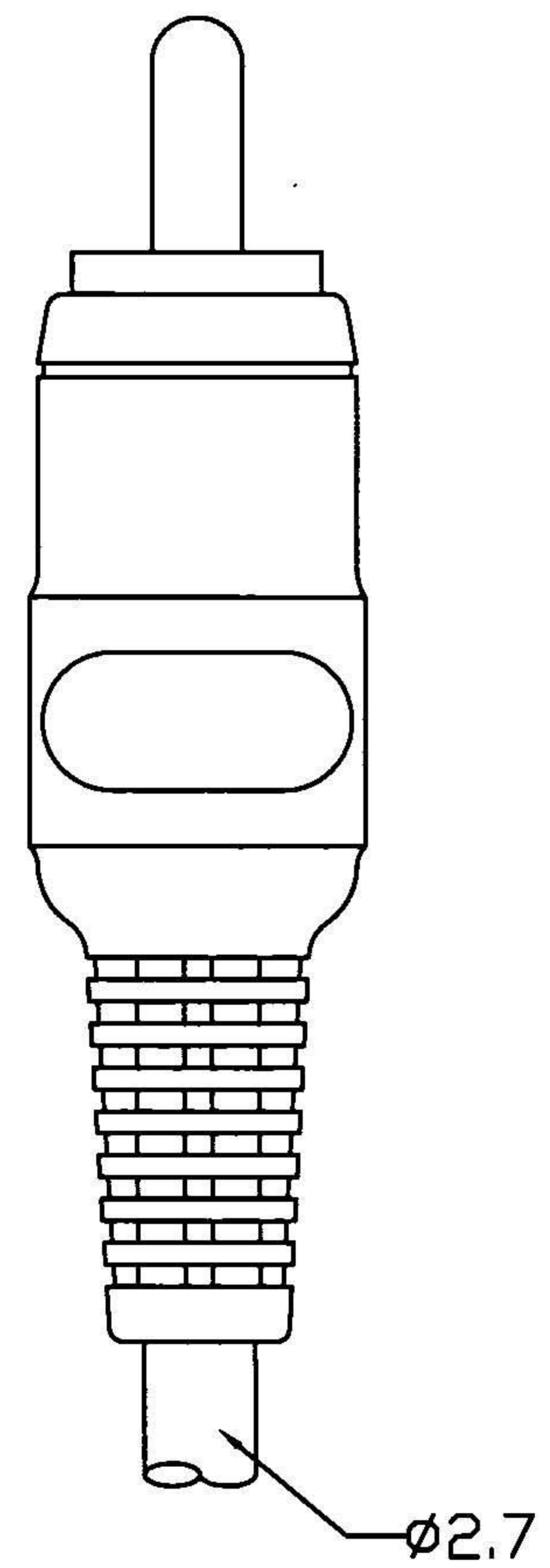
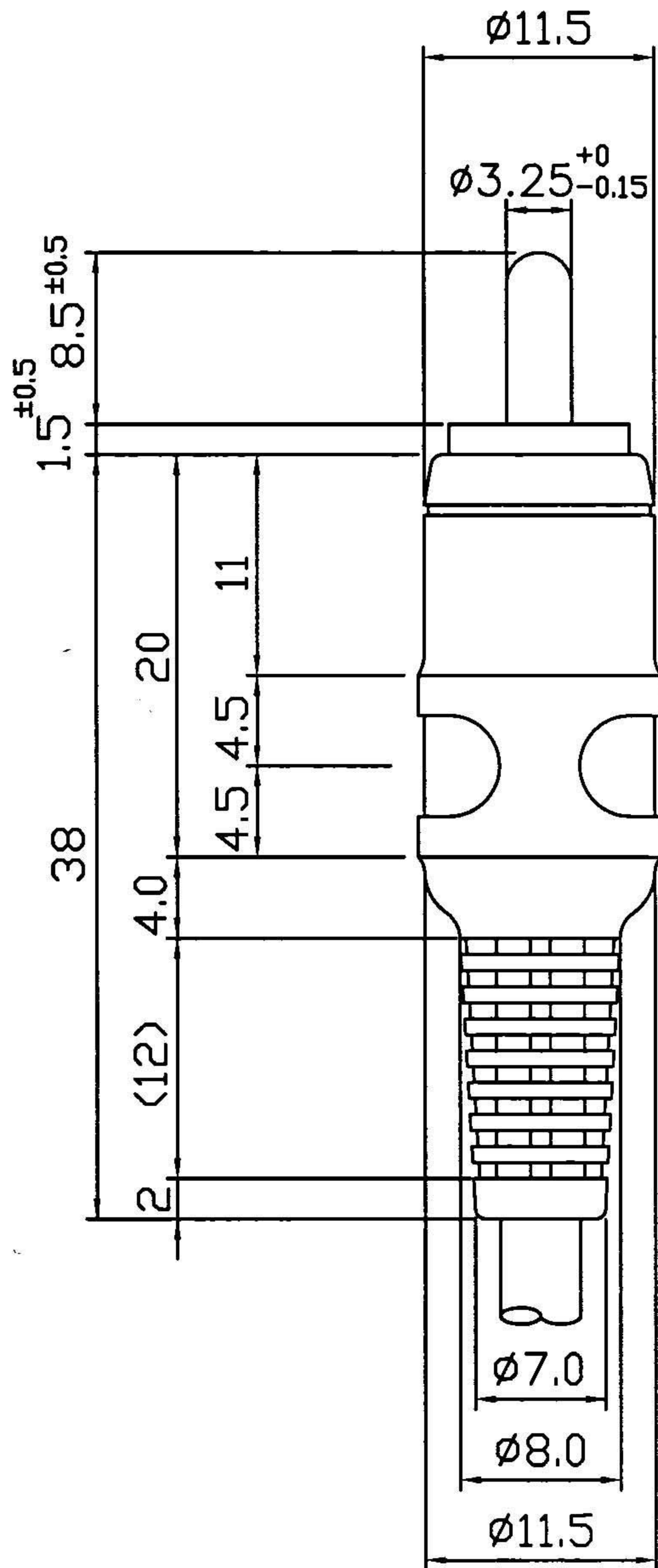
# 2. PART LISTS

|     |                             |                           |
|-----|-----------------------------|---------------------------|
| 5   | CABLE $\phi 2.7 \times 2.7$ | PVC (BLACK)               |
| 4   | RCA JACK A'SSY              | BRASS NICKEL PLATED       |
| 3   | RCA PL/JK CAP               | PVC (RED)(WHITE)          |
| 2   | RCA RING                    | BRASS NICKEL PLATED       |
| 1   | RCA PIN                     | BRASS NICKEL PLATED       |
| NO. | PART'S NAME                 | MATERIAL. FINISHED. COLOR |

REV:01

|            |                |            |            |            |                 |  |  |
|------------|----------------|------------|------------|------------|-----------------|--|--|
| △          |                |            |            |            | 表面<br>FINISHED  |  | Rotronic Co., Ltd.                     |
| △          |                |            |            |            | 顏色<br>COLOR     |  |  |
| △          |                |            |            |            | 厚度<br>THICKNESS |  |  |
| △          |                |            |            |            | 處理<br>PROCESS   |  |  |
| △          |                |            |            |            | 材質<br>MATERIAL  |  |  |
| △          |                |            |            |            | 公差<br>TOLERANCE |  |  |
| △          |                |            |            |            | 比例<br>SCALE     |  |  |
| 記號<br>MARK | 修正<br>REVISION | 日期<br>DATE | 擔當<br>SIGN | 承認<br>APPO | 單位<br>UNIT      |  | 件<br>號                                 |
| 承<br>認     | 檢<br>圖         | 設<br>計     | 製<br>圖     | 製<br>圖     |                 |  | PART NO<br>11.09.4322,26,30            |
| 04-9-2     | 04.08.02       | 04.08.02   | 93.8.2     | 何俊昇        | mm              |  | DESCRIPTION.<br>AUDIO CONNECTION CABLE |
| 許文勳        | 許文勳            | 許文勳        | 何俊昇        |            |                 |  | DRAWN NO.<br>SP-1519                   |
|            |                |            |            |            |                 |  | SHEET<br>1/6                           |

### 3. RCA PLUG DIMENSION

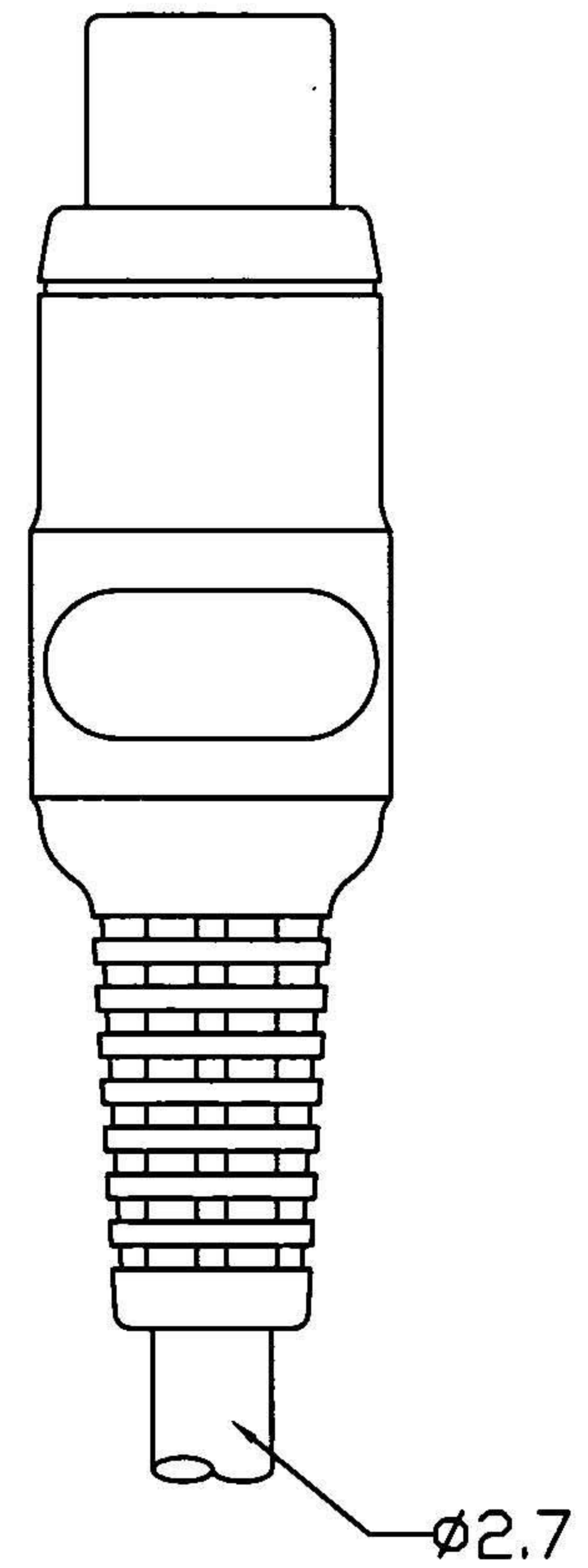
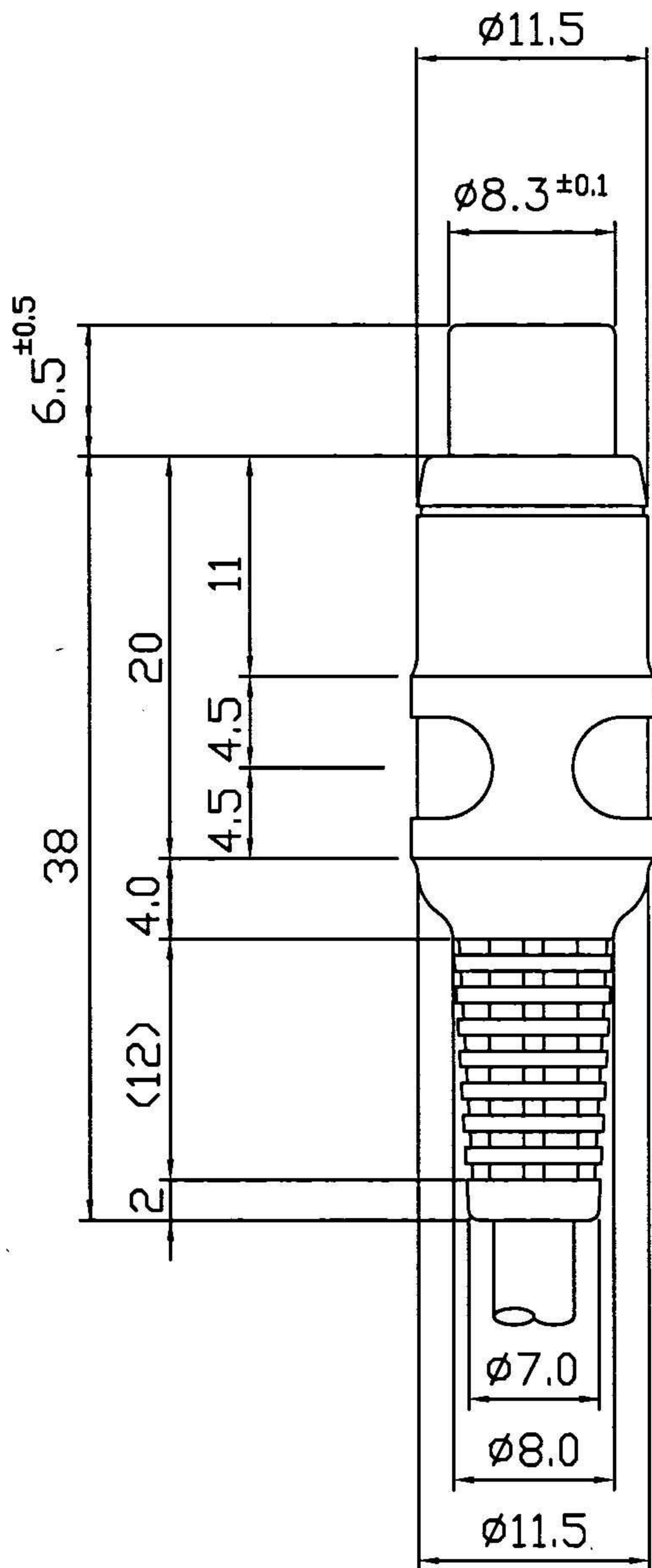


STS-2

|                   |           |
|-------------------|-----------|
| $L \leq 4$        | $\pm 0.1$ |
| $4 < L \leq 16$   | $\pm 0.2$ |
| $16 < L \leq 63$  | $\pm 0.3$ |
| $63 < L \leq 250$ | $\pm 0.4$ |
| $250 < L$         | $\pm 0.6$ |

|        |  |        |                             |                   |
|--------|--|--------|-----------------------------|-------------------|
| 名<br>稱 | DESCRIPTION.<br><b>AUDIO CONNECTING CORD</b> | 圖<br>號 | DRAWN NO.<br><b>SP-1519</b> | SHEET<br><b>2</b> |
|--------|--|--------|-----------------------------|-------------------|

# 3-1. RCA JACK DIMENSION

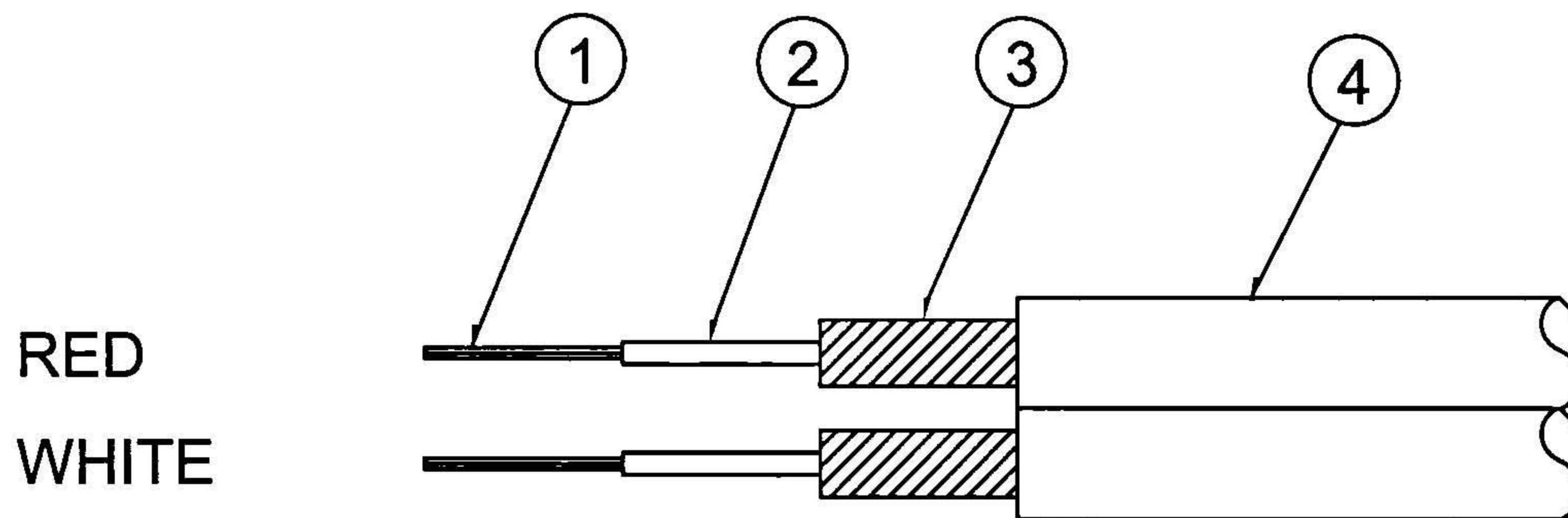


STS-2

|              |      |
|--------------|------|
| L ≤ 4        | ±0.1 |
| 4 < L ≤ 16   | ±0.2 |
| 16 < L ≤ 63  | ±0.3 |
| 63 < L ≤ 250 | ±0.4 |
| 250 < L      | ±0.6 |

|        |  |        |                             |                   |
|--------|--|--------|-----------------------------|-------------------|
| 名<br>稱 | DESCRIPTION.<br><b>AUDIO CONNECTING CORD</b> | 圖<br>號 | DRAWN NO.<br><b>SP-1519</b> | SHEET<br><b>3</b> |
|--------|--|--------|-----------------------------|-------------------|

# 4 CORD SPEC



|   | DESCRIPTION   | MATERIAL  | SPECIFICATION                                |
|---|---------------|-----------|--|
| ① | CONDUCTOR     | COPPER    | 0.12*10                                      |
| ② | CORE DIA.     | PE (R)(W) | $\phi 1.3^{\pm 0.05}$                        |
| ③ | SHIELD WIRE   | COPPER    | 0.12*28 MIN                                  |
| ④ | JACKET        | PVC       | $\phi 2.7^{\pm 0.1} * \phi 2.7^{\pm 0.1}$ mm |
|   | NON MIGRATION | BLACK     | FOR ABS PLATE                                |

|        |   |        |                             |                   |
|--------|---|--------|-----------------------------|-------------------|
| 名<br>稱 | DESCRIPTION.<br><b>AUDIO CONNECTION CABLE</b> | 圖<br>號 | DRAWN NO.<br><b>SP-1519</b> | SHEET<br><b>4</b> |
|--------|---|--------|-----------------------------|-------------------|

# 5. CHARACTERISTICS

## STANDARD ATMOSPHERIC CONDITIONS

UNLESS OTHERWISE SPECIFIED, THE STANDARD RANGE OF ATMOSPHERIC CONDITIONS FOR MAKING MEASUREMENTS AND TESTS ARE AS FOLLOWS:

AMBIENT TEMPERATURE : 5°C TO 35°C  
 RELATIVE HUMIDITY : 45% TO 85%  
 AIR PRESSURE : 86KPa TO 106KPa

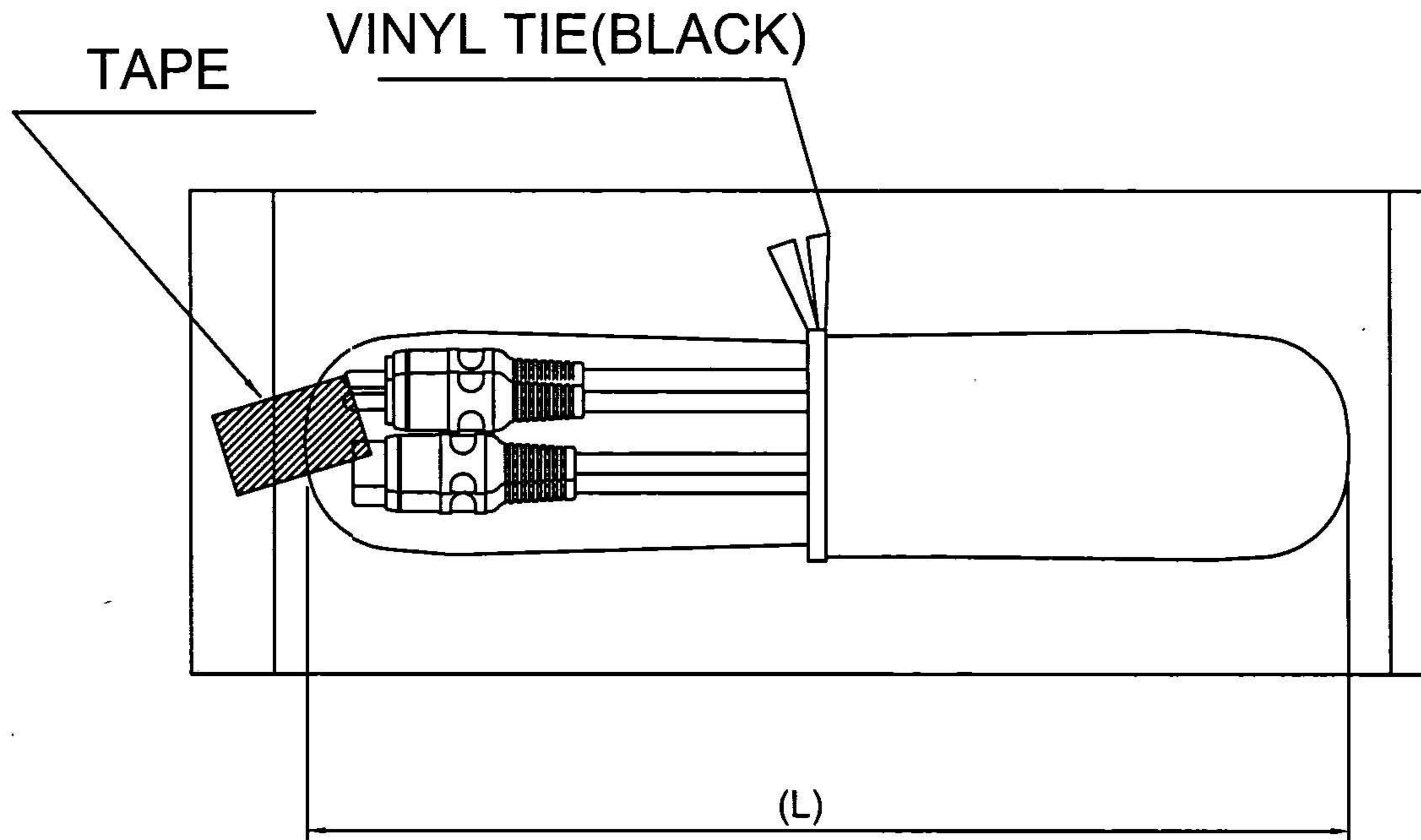
IF THERE IS ANY DOUBT ABOUT THE RESULTS. MEASUREMENTS SHALL BE MADE WITHIN THE FOLLOWING LIMITS:

AMBIENT TEMPERATURE : 20±2°C  
 RELATIVE HUMIDITY : 60% TO 70%  
 AIR PRESSURE : 86KPa TO 106KPa

| NO | ITEMS                                  | CONDITIONS   | SPECIFICATIONS   |
|----|--|--|--|
| 1  | APPEARANCE                             |  | NO DEFECTS SUCH AS CRACKS, SCRATCHES OR BLEMISHES.   |
| 2  | INSERTION FORCE<br>WITHDRAWAL<br>FORCE | MEASUREMENT SHALL BE MADE AFTER INSERTING INTO ITS MATING PLUG OR SOCKET 3 TIMES.<br><br>RCA PLUG / JACK | 2.94N(0.3Kgf) ~ 29.4N(3.0Kgf)  |
| 3  | TENSILE STRENGTH                       | BETWEEN CABLE & CONNECTOR<br>29.4N(3.0KGF) , 1 MINUTE  | NO DAMAGE SUCH AS DISPLACEMENT OR INSULATION DAMAGE,ETC  |
| 4  | FLEXING TEST                           | 300G, ±60°,1000TURNS<br>15~20/PER MIN TURNS  | NO DAMAGE SUCH AS DISPLACEMENT OR INSULATION DAMAGE,ETC  |
| 5  | INSULATION<br>RESISTANCE               | DC 250V 1 MINUTE BETWEEN CONDUCTORS  | 100 MΩ OR MORE   |
| 6  | DIELECTRIC<br>STRENGTH                 | AC 250V SHALL BE APPLIED FOR 1 MINUTE WITH TRIP CURRENT 2 mA BETWEEN CONDUCTORS                          | WITHOUT DAMAGE SUCH AS ELECTRIC BREAKDOWN  |
| 7  | ABS<br>NON-MIGRATION                   | TEMPERATURE : 54 ± 1 °C<br>TIME : 24± 1H<br>WEIGHT : 500 ±25 G   | WHEN VISUALLY INSPECTED. ANY STAINING OF THE AREA OF THE ABS THAT WAS IN CONTACT WITH THE TEST PIECES SHALL HARDLY BE RECOGNIZED |

|        |  |        |                             |                   |
|--------|--|--------|-----------------------------|-------------------|
| 名<br>稱 | DESCRIPTION.<br><b>AUDIO CONNECTING CORD</b> | 圖<br>號 | DRAWN NO.<br><b>SP-1519</b> | SHEET<br><b>5</b> |
|--------|--|--------|-----------------------------|-------------------|

# 6. PACKAGE



| Item no.   | (L) |
|------------|-----|
| 11.09.4322 | 125 |
| 11.09.4326 | 156 |
| 11.09.4330 | 156 |

|        |   |        |                             |                   |
|--------|---|--------|-----------------------------|-------------------|
| 名<br>稱 | DESCRIPTION.<br><b>AUDIO CONNECTION CABLE</b> | 圖<br>號 | DRAWN NO.<br><b>SP-1519</b> | SHEET<br><b>6</b> |
|--------|---|--------|-----------------------------|-------------------|