



Datenblatt - Fiche technique - Data sheet

12.04.1088

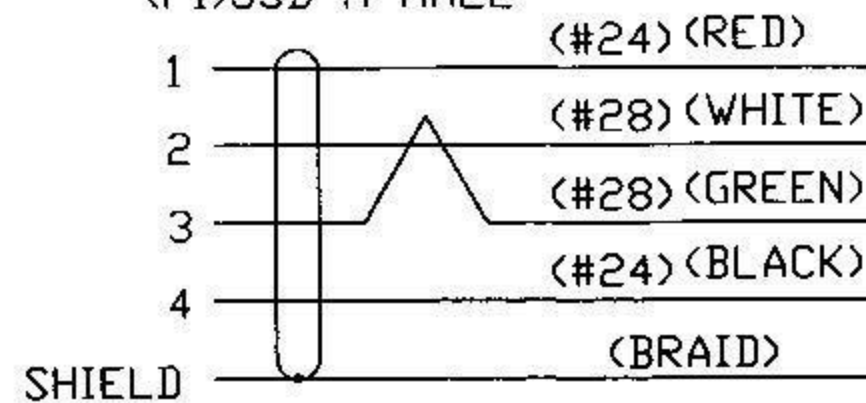


ROLINE USB 2.0 Verlängerung weiss, 5m

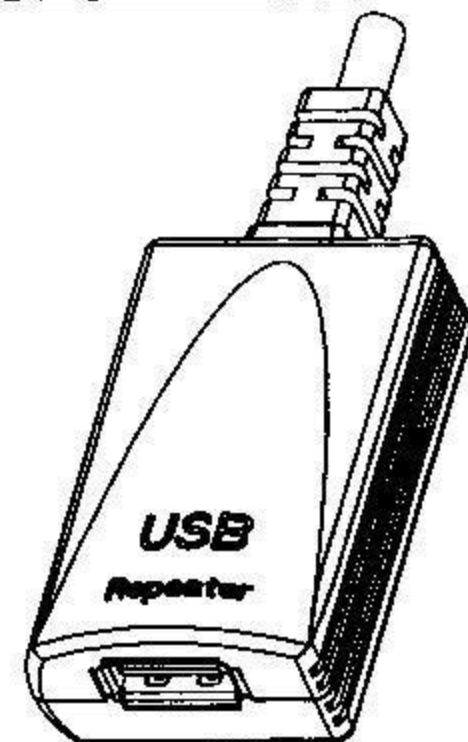
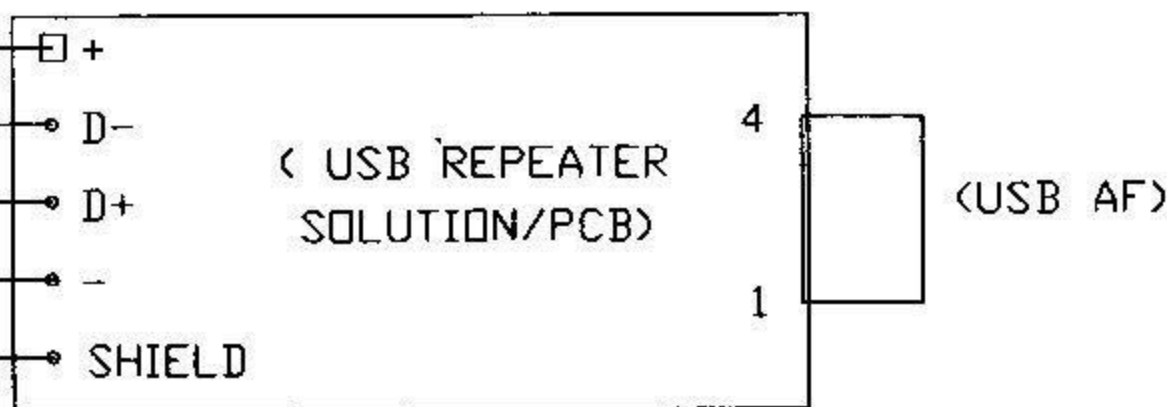
ROLINE Rallonge USB 2.0 blanche, 5m

ROLINE USB 2.0 Extension Cable, 1 Port, white, 5 m

CONFIGURATION:
(P1)USB A-MALE

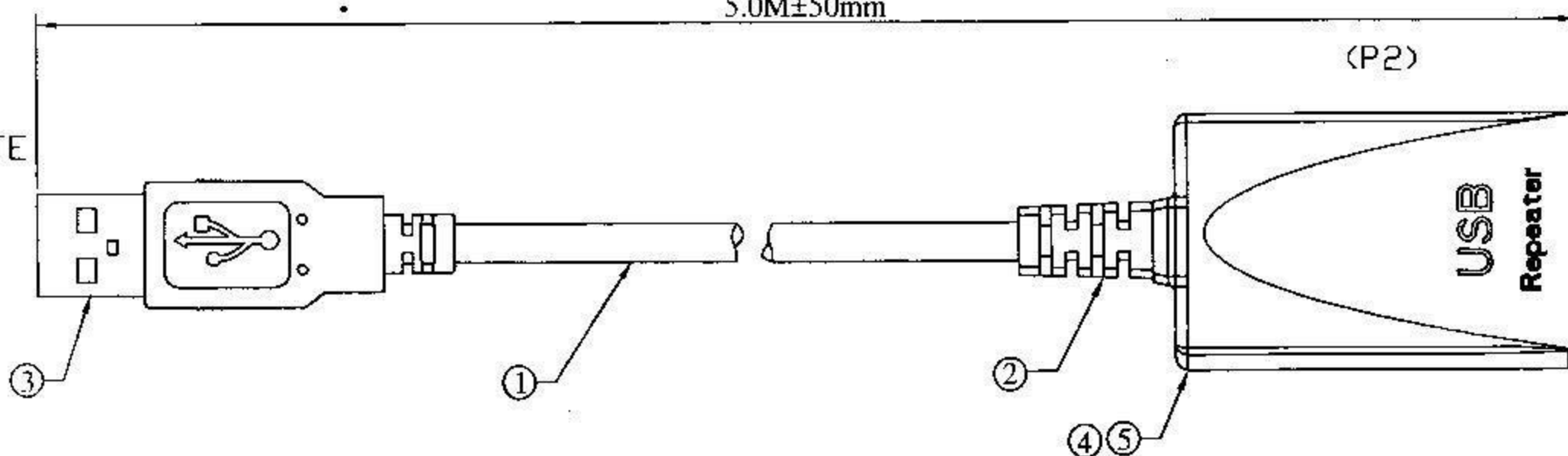
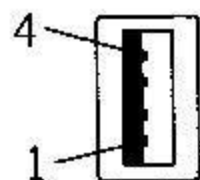


(P2)PCB SET./USB A-FEMALE

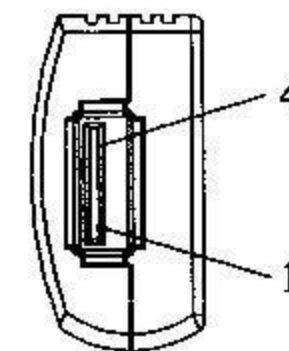


5.0M±50mm

(P1)
USB A MALE
INSULATOR:WHITE



USB A FEMALE
INSULATOR:WHITE



- NOTE:≡
1. CABLE COLOR: WHITE
 2. OVERALL MOLDED WITH WHITE COLOR PVC
 3. HOOD WITH ABS,COLOR&SR COLOR SAME CABLE JACKET
 4. TOTAL LENGTH:5M±50MM

5.	SR/MOLDED	1Set	PVC Moulding/ WITH WHITE COLOR
4.	HOOD	1Set	ABS HOOD/WHITE COLOR(DWG.NO.USB103-A-HD1/2)
3.	PCB SET	1Set	PCB MODULAR
2.	CONNECTOR	1pc	USB A-MALE, WITH MOLDED TYPE
1.	CABLE	1pc	USB2.0 UL2725(#28X1PAIR+#24X2C) + AEB WHITE COLOR PVC JACKET,Ø.D:4.5MM,L:5M
NO.	PART NAME	Q'TY	SPECIFICATION

TOLRANCES

	A	B	C	D
0-5	±0.07	±0.05	±0.05	±0.10
5-20	±0.05	±0.08	±0.10	±0.20
20-50	±0.08	±0.10	±0.15	±0.30
50-100	±0.10	±0.15	±0.20	±0.40
100-up	±0.15	±0.20	±0.30	±0.50
ANGLE	±20'	±40'	±90'	±180'

TITLE: USB ACTIVE EXTENSION

Drawing DRAWN CHECKED APPROVE

朱傑

FILE NO. 12.04.1088 Unit Rev. Scale BUYER
DWG NO. USB1032-B MM 1.0 none ROC

ROTRONIC CO., LTD