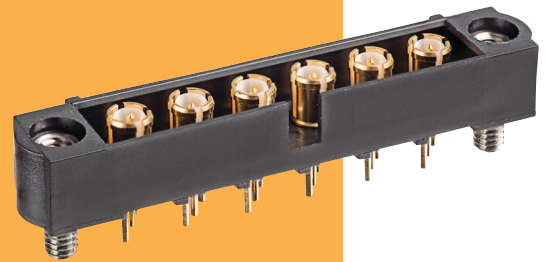


Datamate Coax Connectors

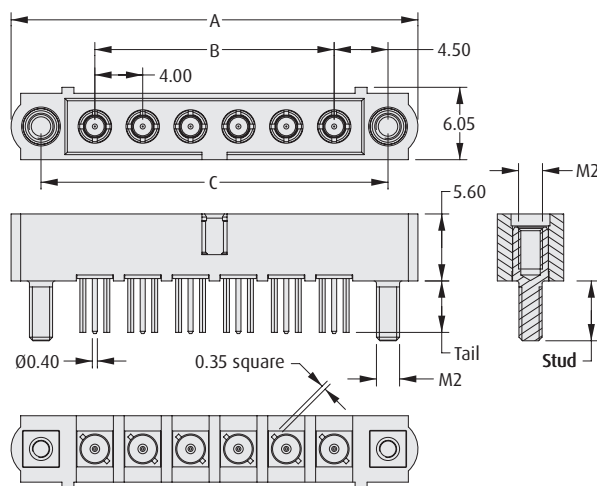
DATAMATE COAX

Plug (Male) Vertical PC Tail

- Stocked coax connectors in vertical orientation, with board-mount jackscrews for added security.
- 6GHz, 50Ω Coax contacts.
- Choice to suit two PCB thicknesses.
- Order board mount nuts separately.
- Screwdriver **Z80-298** available for assembling slotted jackscrew nuts.

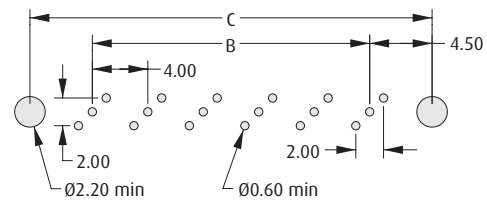


VERTICAL



CALCULATION

A	$B + 14$
B	$(\text{No. of Coax contacts} - 1) \times 4$
C	$B + 9$



Recommended PCB Board Pattern

HOW TO ORDER

M80 - MV 3XX MX - XX

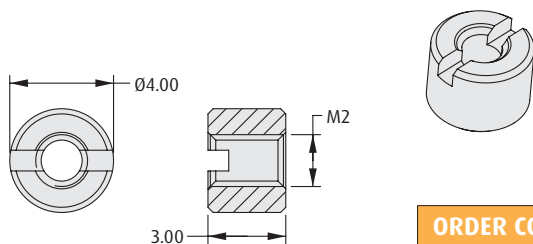
TYPE	
311M2	3mm Tail with 3.5mm Board Mount Stud
312M3	4.5mm Tail with 5mm Board Mount Stud

NO. OF COAX CONTACTS
02, 04, 06, 08

REQUIRED HARDWARE

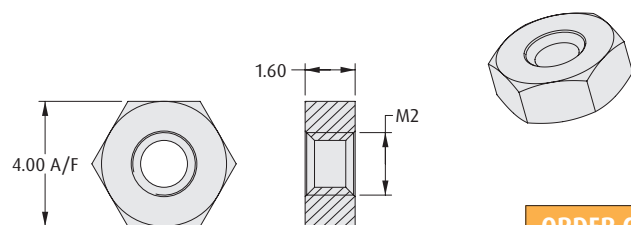
Order separately from connector

Slotted Board Mount Nut



ORDER CODE
M80-2130000B

Hexagonal Board Mount Nut



ORDER CODE
M80-2430000B

All dimensions in mm.