



MHDMR-19-02-F-TH-L-TR



MHDMR SERIES

MINI HIGH SPEED I/O RECEPTACLES

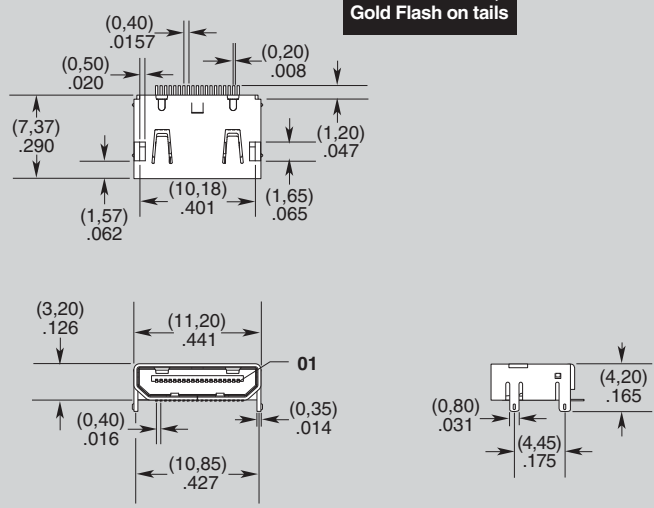
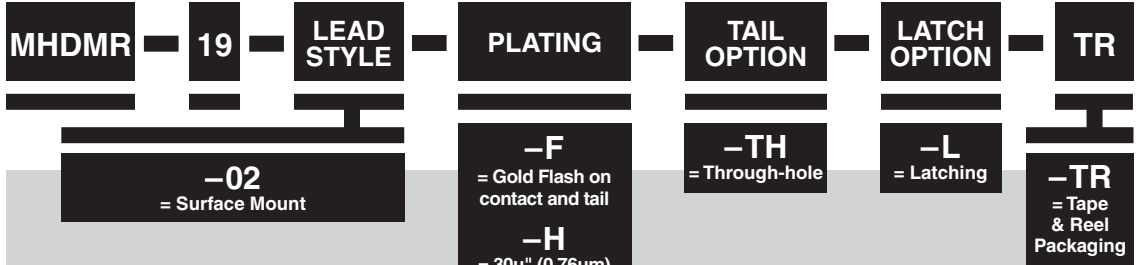
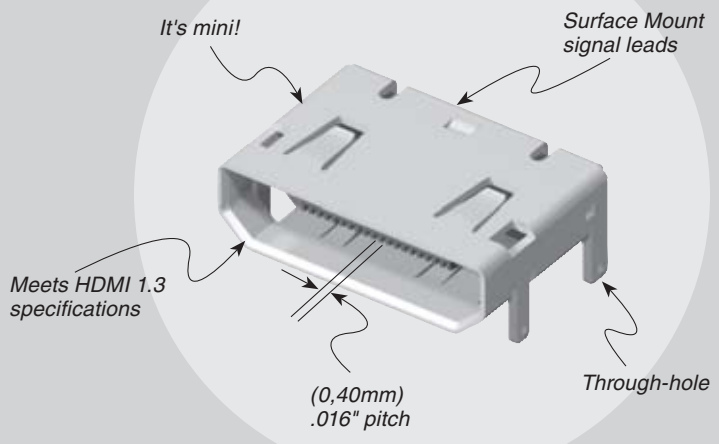
SPECIFICATIONS

For complete specifications and recommended PCB layouts see www.samtec.com?MHDMR

- Insulator Material:** Black Glass Filled Thermoplastic
- Contact Material:** Phosphor Bronze
- Shell Material:** Brass
- Plating:** Au over Ni on contacts, Ni on shell
- Operating Temp Range:** -25°C to +85°C
- Current Rating:** .5 A min.
- Voltage Rating:** 40 VAC
- Contact Resistance:** 30mΩ max
- Minimum Cycles:** 100
- Lead-Free Solderable:** Yes
- RoHS Compliant:** Yes
- SMT Lead Coplanarity:** (0,10mm) .004" max



Mates with:
HPSTP-M, HPSTP-ML



Note: Some lengths, styles and options are non-standard, non-returnable.

Due to technical progress, all designs, specifications and components are subject to change without notice.

WWW.SAMTEC.COM