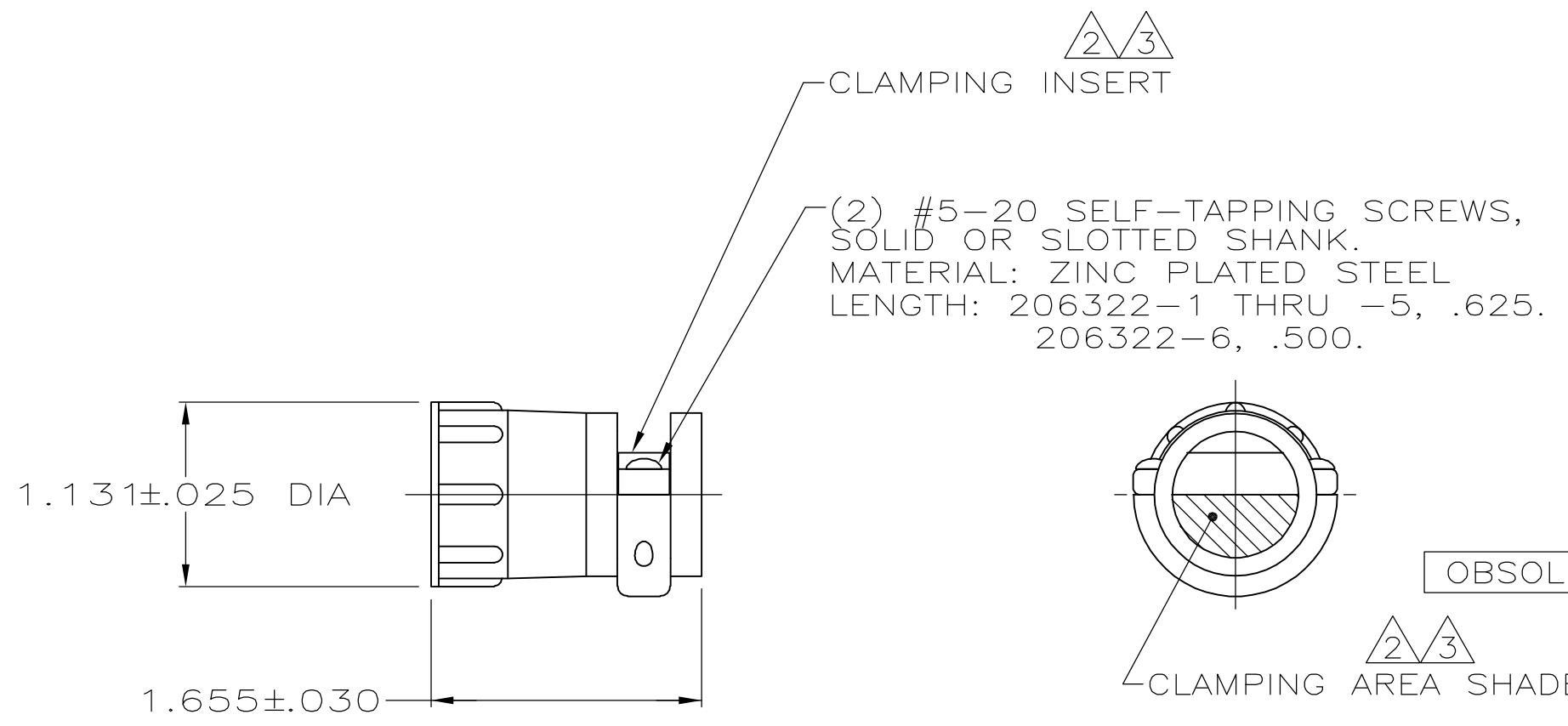


THIS DRAWING IS UNPUBLISHED. RELEASED FOR PUBLICATION
 © COPYRIGHT BY TYCO ELECTRONICS CORPORATION. ALL RIGHTS RESERVED.

LOC	DIST	REVISIONS			
P	LTR	DESCRIPTION	DATE	DWN	APVD
FT	0	N1	REVISED PER ECO-06-3414	2/22/06	SS SH

NOTES:

1. PARTS PACKAGED UNASSEMBLED.
2. CABLE CLAMPING AREA ADJUSTABLE FROM .100 TO .410 SQ IN BY REVERSING CLAMPING INSERTS. (2 INSERTS SUPPLIED, -1 AND -2 ONLY)
3. CABLE CLAMPING AREA ADJUSTABLE FROM .100 TO .410 SQ IN BY CHANGING CLAMPING INSERTS. (4 INSERTS SUPPLIED, -4 ONLY)
4. .703 MAXIMUM CABLE OUTSIDE DIAMETER.
5. BULK PACKAGED KITS TO BE ORDERED IN MULTIPLES OF 100 ONLY.
6. NON-HEXAVALENT CHROMATE FINISH.



PACKAGING	PART NUMBER
INDIVIDUAL	1-206322-1
5 BULK	1-206322-0
INDIVIDUAL	206322-9
6 SMALL PACK	206322-8
INDIVIDUAL	206322-7
5 BULK	206322-6
SMALL PACK	206322-5
INDIVIDUAL	206322-4
5 BULK	206322-2
INDIVIDUAL	206322-1

THIS DRAWING IS A CONTROLLED DOCUMENT.		DWN A GRAFF 4/23/91	Tyco Electronics Corporation Harrisburg, PA 17105-3608	
DIMENSIONS: INCHES	TOLERANCES UNLESS OTHERWISE SPECIFIED:	CHK W.G.LENKER 7-22-92	NAME CABLE CLAMP KIT, LARGE, SHELL SIZE 17, CPC	
	0 PLC ± - 1 PLC ± - 2 PLC ± - 3 PLC ± - 4 PLC ± - ANGLES ± -	APVD -	PRODUCT SPEC 108-10024	RESTRICTED TO -
MATERIAL THERMOPLASTIC,	FINISH -	PRODUCT SPEC -	APPLICATION SPEC -	SIZE A3
		WEIGHT -	CAGE CODE 00779	DRAWING NO C=206322
		CUSTOMER DRAWING		SCALE NTS
		SHEET 1 OF 1		REV N1