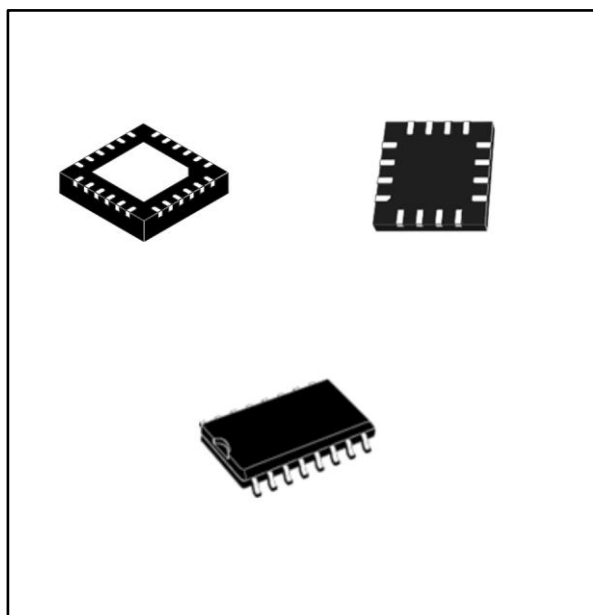


Autonomous USB PD controller with integrated discharge path

Datasheet - production data



- Short -to- V_{BUS} protections on CC pins (22 V) and V_{BUS} pins (28 V)
- Wide power supply input:
 - $V_{DD} = [4.1 \text{ V}; 22 \text{ V}]$
- Temperature range: -40 °C up to 105 °C
- Fully compatible with:
 - USB Type-C™ rev 1.2
 - USB PD rev 2.0

Applications

- AC adapters and power supplies for: computer, consumer or portable consumer applications
- Smart plugs and wall adapters
- Power hubs and docking stations
- Displays
- Any Type-C source device

Description

The STUSB4710 is a new family of USB power delivery controllers communicating over Type-C™ configuration channel pins (CC) to negotiate a given amount of power to be sourced to an inquiring consumer device.

The STUSB4710 addresses provider/DFP devices such as notebooks, tablets and AC adapters. The device can handle any connections to a UFP or DRP without any MCU attachment support, from device attachment to power negotiation, including V_{BUS} discharge and protections.

Features

- USB power delivery (PD) controller
- Type-C attach and cable orientation detection
- Single role: provider - DFP
- Full hardware solution - no software
- I²C interface (optional connection to MCU)
- Support all USB PD profiles: up to 5 power data objects (PDO)
- Configurable startup profiles
- Integrated V_{BUS} voltage monitoring
- Internal and/or external V_{BUS} discharge path

Table 1: Device summary table

Order code	Description	Package	Marking
STUSB4710QTR	Autonomous USB PD controller (provider)	QFN-24 EP (4x4 mm ²)	4710
STUSB4710AQTR		QFN-24 EP (4x4 mm ²)	4710A
STUSB4710AQ1TR		QFN-16 (3x3 mm ²)	
STUSB4710ADTR		SO-16	

Contents

- 1 Functional description 6**
- 2 Inputs/outputs 7**
 - 2.1 Pinout..... 7
 - 2.2 Pin list 9
 - 2.3 Pin description..... 10
 - 2.3.1 CC1 / CC2 10
 - 2.3.2 I2C interface pins..... 10
 - 2.3.3 VBUS_SENSE..... 10
 - 2.3.4 VBUS_EN_SRC 11
 - 2.3.5 VDD 11
 - 2.3.6 GND..... 11
 - 2.3.7 ADDR0..... 11
 - 2.3.8 VREG2V7 11
 - 2.3.9 VBUS_DISCH..... 11
 - 2.3.10 SEL_PDO [5:2] 11
- 3 Block descriptions 12**
 - 3.1 CC interface 12
 - 3.2 BMC 12
 - 3.3 Protocol layer 12
 - 3.4 Policy engine..... 12
 - 3.5 Device policy manager 13
 - 3.6 VBUS power path control 13
 - 3.6.1 VBUS monitoring 13
 - 3.6.2 VBUS discharge 13
 - 3.6.3 VBUS power path assertion 14
 - 3.7 High voltage protection 14
 - 3.8 Hardware fault management..... 14
 - 3.9 Accessory mode detection 15
 - 3.9.1 Audio accessory mode detection 15
 - 3.9.2 Debug accessory mode detection 15
- 4 User-defined startup configuration 16**
 - 4.1 Parameter overview 16
 - 4.2 PDO – voltage configuration in NVM..... 16
 - 4.3 PDO – current configuration in NVM 17

4.4	Monitoring configuration in NVM	17
4.5	Discharge configuration in NVM.....	17
5	I²C interface.....	18
5.1	Read and write operations	18
5.2	Timing specifications.....	19
6	I²C register map	21
7	Typical use cases	23
7.1	Power supply – buck topology.....	23
7.2	Power supply – flyback topology.....	23
8	Electrical characteristics	25
8.1	Absolute maximum rating.....	25
8.2	Operating conditions	25
8.3	Electrical and timing characteristics	25
9	Package information	28
9.1	QFN24 EP 4x4 mm package information	28
9.2	QFN16 package information	30
9.3	SO-16 package information	32
9.4	Thermal information	33
9.5	Packing information.....	34
10	Terms and abbreviations	35
11	Revision history	36

List of tables

Table 1: Device summary table	1
Table 2: Pin functions list	9
Table 3: Legend	10
Table 4: I ² C interface pins list	10
Table 5: Conditions for VBUS power path assertion	14
Table 6: PDO configurations in NVM	16
Table 7: PDO NVM voltage configuration	16
Table 8: PDO NVM current configuration	17
Table 9: I2C timing parameters - VDD = 5 V	19
Table 10: STUSB4710 register map overview	21
Table 11: Register access legend	22
Table 12: Resistor value	23
Table 13: Resistor value	24
Table 14: Absolute maximum rating	25
Table 15: Operating conditions	25
Table 16: Electrical characteristics	25
Table 17: QFN24 EP 4x4 mm mechanical data	28
Table 18: QFN16 (3x3x0.55) mechanical data	31
Table 19: SO-16 mechanical data	33
Table 20: Thermal information	33
Table 21: Tape dimensions	34
Table 22: List of terms and abbreviations	35
Table 23: Document revision history	36

List of figures

Figure 1: Functional block diagram.....	6
Figure 2: STUSB4710QTR pin connections (top view)	7
Figure 3: STUSB4710Q1TR pin connections (top view)	8
Figure 4: STUSB4710DTR pin connections (top view)	9
Figure 5: Read operation	19
Figure 6: Write operation	19
Figure 7: I ² C timing diagram	20
Figure 8: Power supply - buck topology.....	23
Figure 9: Fly-back topology	24
Figure 10: QFN24 EP 4x4 mm package outline	28
Figure 11: QFN24 EP 4x4 mm recommended footprint	29
Figure 12: QFN16 package outline.....	30
Figure 13: SO-16 package outline	32
Figure 14: Reel information	34

1 Functional description

The STUSB4710 is an autonomous USB power delivery controller optimized as a provider. It offers an open drain GPIO interface to make direct interconnection with a power regulation stage.

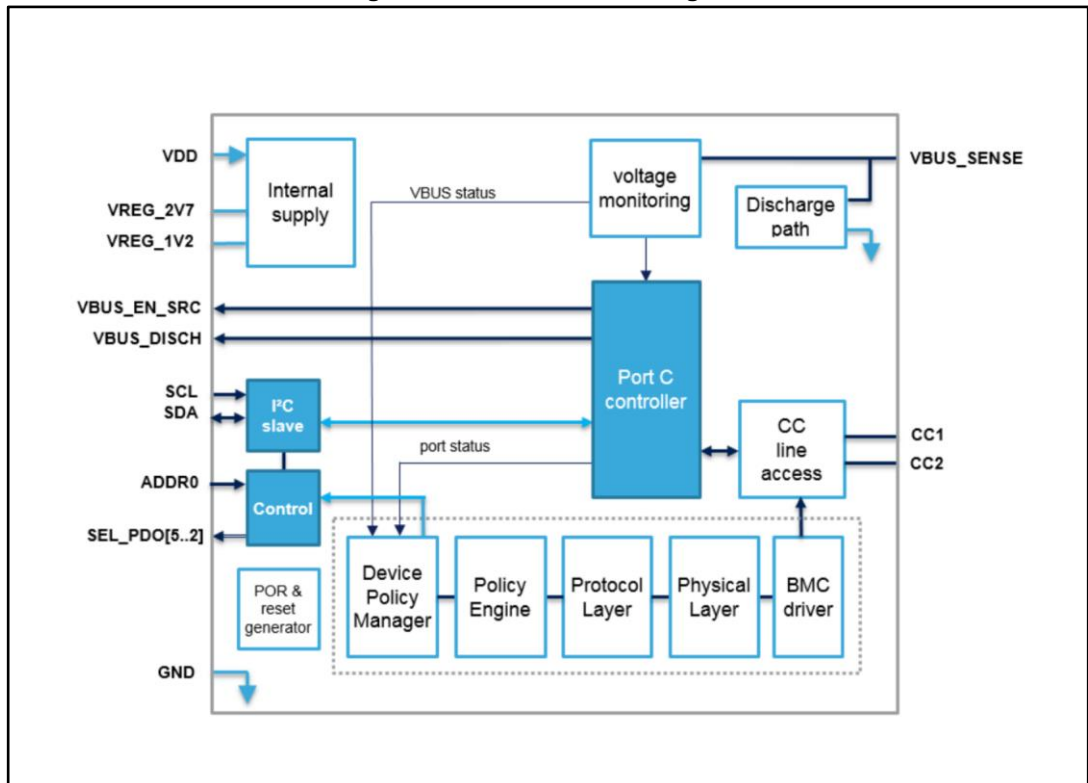
The STUSB4710 offers the benefits of a full hardware USB PD stack allowing robust and safe USB PD negotiation in line with USB PD standard. The STUSB4710 is ideal for provider applications in which digital or software intelligence is limited or missing.

The STUSB4710 main functions are:

- Detect the connection between two USB ports (attach detection)
- Establish a valid host to device connection
- Discover and configure V_{BUS} : Type-C low, medium or high current mode
- Resolve cable orientation
- Negotiate a USB power delivery contract with a PD capable device
- Configure the power source accordingly
- Monitor V_{BUS} , manage transitions, handle protections and ensure user and device safety

Additionally, the STUSB4710 offers 5 customizable power data objects (PDOs), 5 general purpose I/Os, an integrated discharge path, and is natively robust to high voltage peaks.

Figure 1: Functional block diagram



2 Inputs/outputs

2.1 Pinout

Figure 2: STUSB4710QTR pin connections (top view)

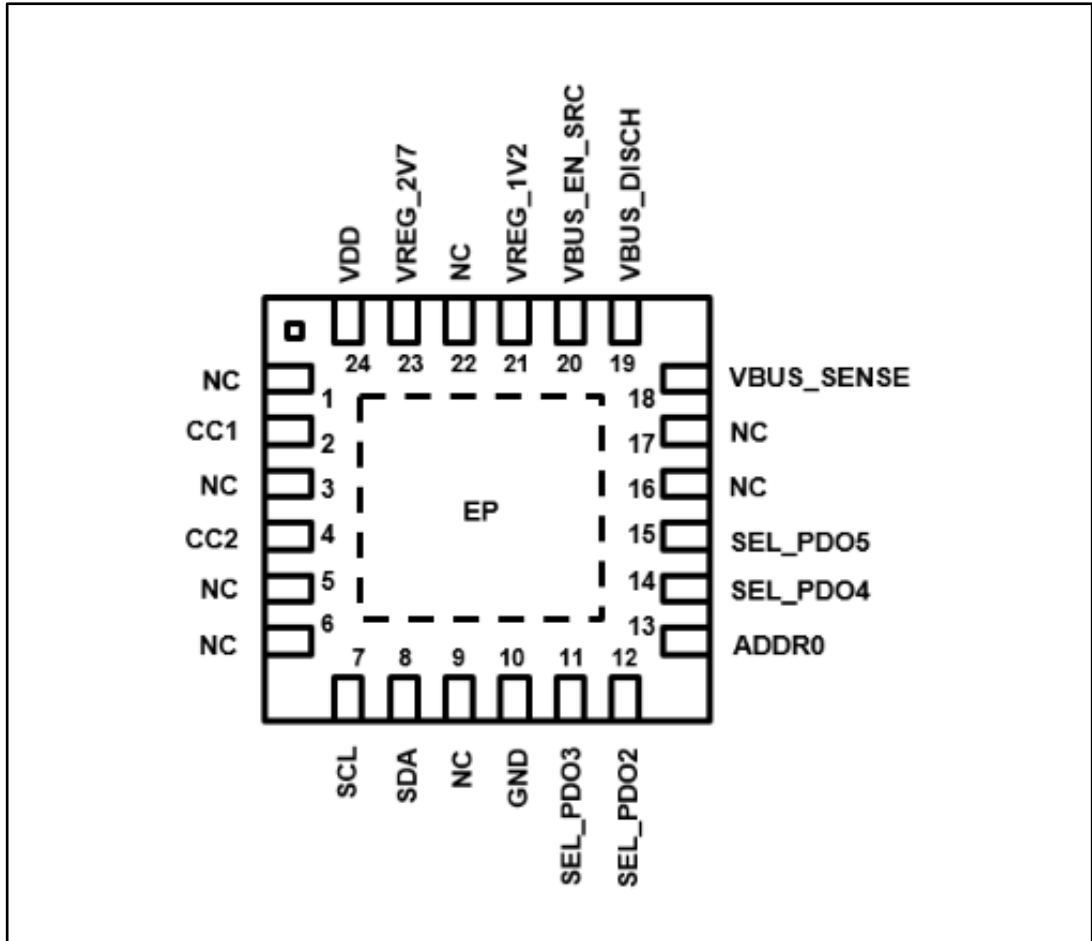


Figure 3: STUSB4710Q1TR pin connections (top view)

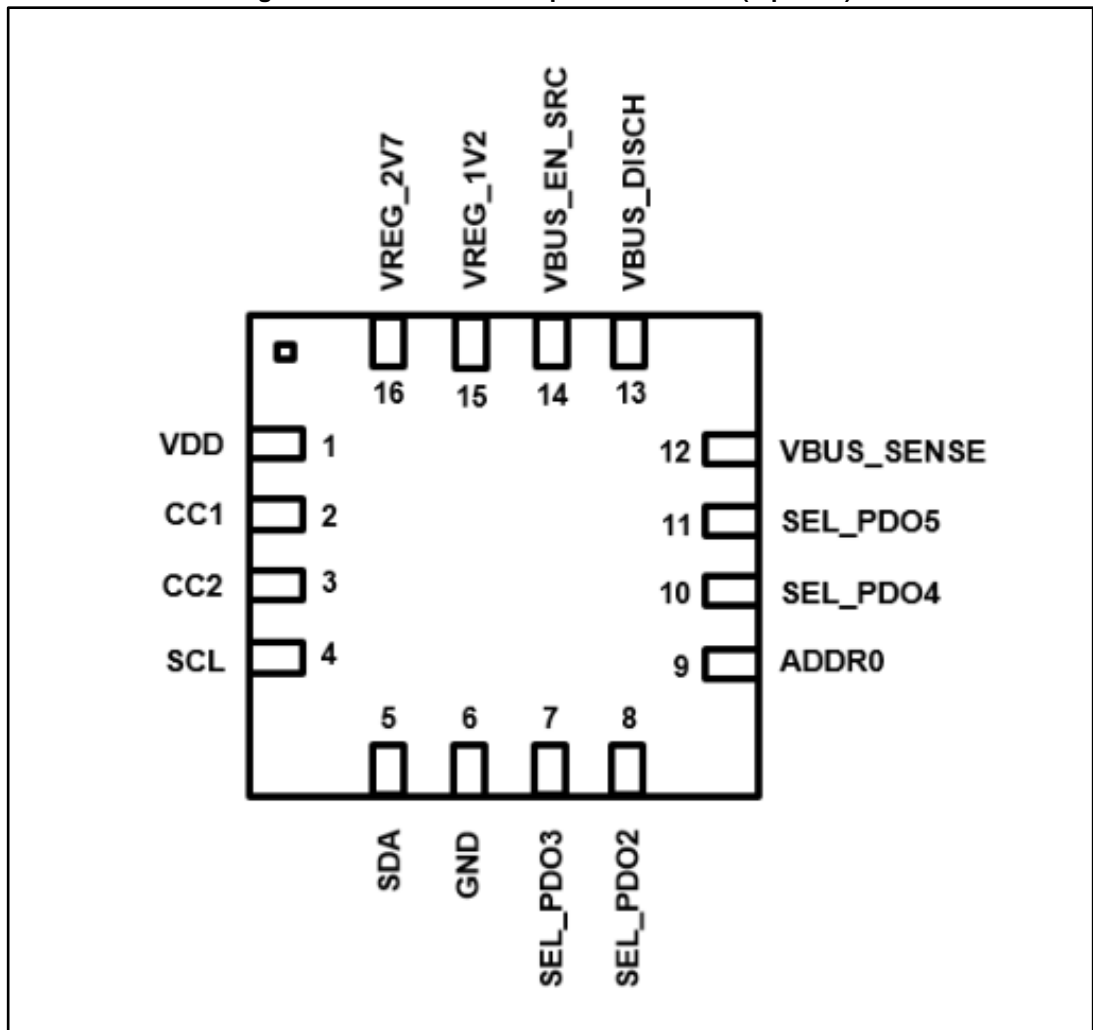
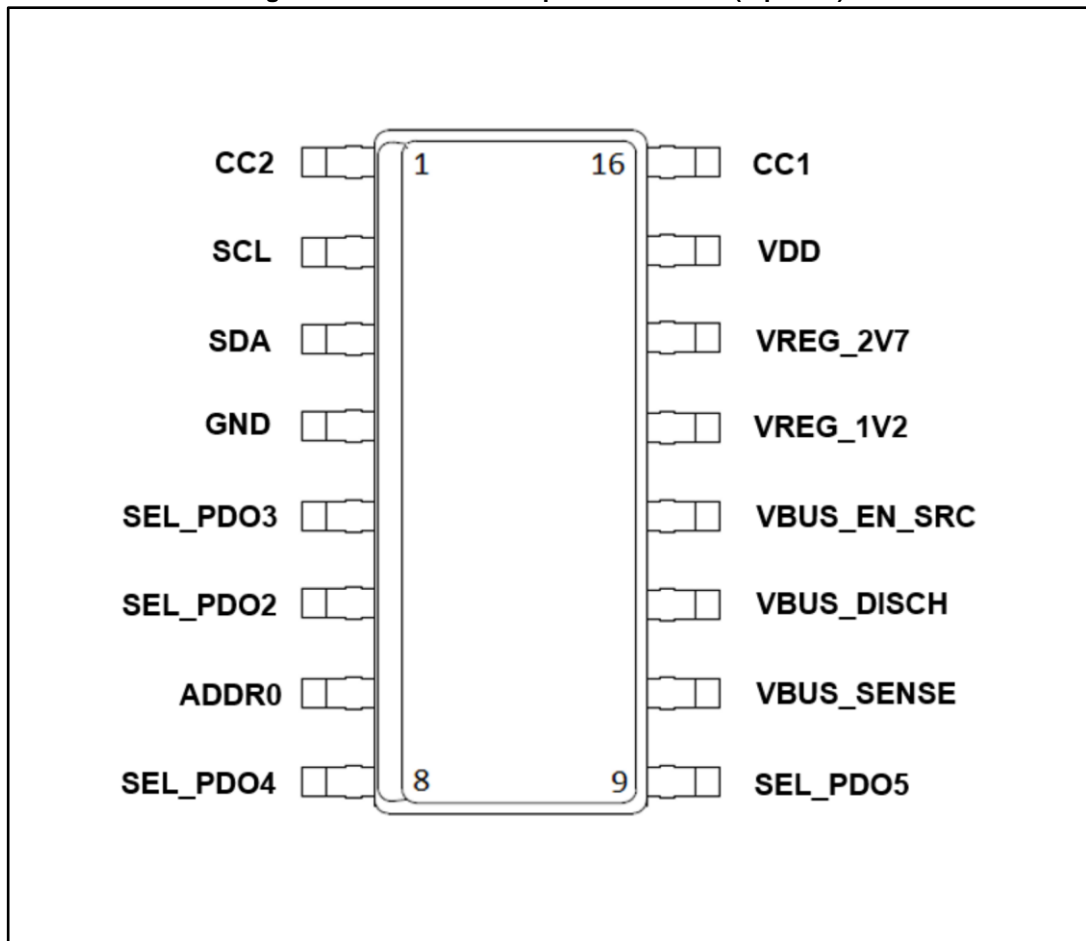


Figure 4: STUSB4710DTR pin connections (top view)



2.2 Pin list

Table 2: Pin functions list

Name	Type	Description	Connection
CC1	20 V analog IO	Configuration channel 1	Type-C receptacle A5
CC2	20 V analog IO	Configuration channel 2	Type-C receptacle B5
SCL	DI	I ² C clock	To I ² C master – Ext. pull-up
SDA	DI/OD	I ² C data input/output – active low open drain	To I ² C master – Ext. pull-up
GND	Power	Ground	
SEL_PDO3	OD	PD03 select flag	
SEL_PDO2	OD	PD02 select flag	
ADDR0	Analog	I ² C address 0 bit	
SEL_PDO4	OD	PD04 select flag	
SEL_PDO5	OD	PD05 select flag	
VBUS_SENSE	20 V AI	V _{BUS} voltage monitoring and discharge path	From V _{BUS}

Name	Type	Description	Connection
VBUS_DISCH	Output	External discharge control signal	
VBUS_EN_SRC	20 V OD	V _{BUS} source power path enable – active low open drain	To switch or power system – Ext. pull-up
VREG_1V2	Analog	1.2 V regulator output	1µF typ decoupling capacitor
VREG_2V7	Analog	2.7 V regulator output	1µF typ decoupling capacitor
VDD	20 V power	Main power supply (USB power line)	From V _{BUS} (system side)
EP	Exposed pad	Exposed pad is connected to ground	To Ground

Table 3: Legend

Type	Description
D	Digital
A	Analog
O	Output pad
I	Input pad
IO	Bidirectional pad
OD	Open drain output
PD	Pull-down
PU	Pull-up
PWR	Power supply
GND	Ground

2.3 Pin description

2.3.1 CC1 / CC2

CC1 and CC2 are the configuration channel pins used for connection and attachment detection, plug orientation determination and system configuration management across USB Type-C cable. CC1/CC2 are HiZ during reset.

2.3.2 I2C interface pins

Table 4: I2C interface pins list

Name	Description
SCL	I2C clock – need external pull-up
SDA	I2C data – need external pull-up

2.3.3 VBUS_SENSE

This input pin is used to sense V_{BUS} presence, monitor V_{BUS} voltage and discharge V_{BUS} on USB Type-C receptacle side.

2.3.4 VBUS_EN_SRC

In Source power role, this pin allows enabling of the outgoing V_{BUS} power when the connection to a Sink is established and V_{BUS} is in the valid operating range. The open drain output allows to drive directly a PMOS transistor. The logic value of the pin is also advertised in a dedicated I²C register bit.

2.3.5 VDD

V_{DD} is the main power supply for applications powered by V_{BUS} .

This pin can be used to sense the voltage level of the main power supply providing V_{BUS} . It allows to consider independently UVLO and OVLO voltage thresholds on VDD pin as additional conditions to enable the V_{BUS} power path through VBUS_EN_SRC pin.

2.3.6 GND

Ground.

2.3.7 ADDR0

At startup, this pin is latched to set I²C device address 0 bit.

2.3.8 VREG2V7

This pin is used only for external decoupling of 2.7 V internal regulator.

Recommended decoupling capacitor: 1 μ F typ. (0.5 μ F min; 10 μ F max).

This pin must not be used to supply any external component.

2.3.9 VBUS_DISCH

Control signal for external VBUS_DISCH path.

2.3.10 SEL_PDO [5:2]

These 4 output signals are asserted (active low) respectively when PDO2, PDO3, PDO4 and PDO5 are selected by the attached sink. These signals are used to pilot the power management unit.

3 Block descriptions

3.1 CC interface

The STUSB4710 controls the connection to the configuration channel (CC) pins, CC1 and CC2, through two main blocks, the CC lines interface block and the CC control logic block.

The CC lines interface block is used to:

- Configure the termination mode on the CC pins relative to the power mode supported, i.e. pull-up for source power role
- Monitor the CC pin voltage values relative to the attachment detection thresholds
- Protect the CC pins against over voltage

The CC control logic block is used to:

- Execute the Type-C FSM relative to the Type-C power mode supported
- Determine the electrical state for each CC pins relative to the detected thresholds
- Evaluate the conditions relative to the CC pin states and V_{BUS} voltage value to transition from one state to another in the Type-C FSM
- Detect and establish a valid source-to-sink connection
- Determine the attached mode: source, accessory
- Determine cable orientation to allow external routing of the USB super speed data
- Manage V_{BUS} power capability: USB default, Type-C medium or Type-C high current mode
- Handle hardware faults

The CC control logic block implements the Type-C FSM's corresponding to source power role with accessory support.

3.2 BMC

This block is the physical link between USB PD protocol layer and CC pin. In TX mode, it converts the data into biphase mark coding (BMC), and drives the CC line to correct voltages. In RX mode, it recovers BMC data from the CC line, and converts to baseband signaling for the protocol layer.

3.3 Protocol layer

The protocol layer has the responsibility to manage the messages from/to the physical layer. It automatically manages the protocol receive timeouts, the message counter, the retry counter and the GoodCRC messages.

It communicates with the internal policy engine.

3.4 Policy engine

The policy engine implements the power negotiation with the connected device according to its source role, it implements all states machine that controls protocol layer forming and scheduling the messages.

The policy engine uses the protocol layer to send/receive messages.

The policy engine interprets the device policy manager's input in order to implement policy for port and directs the protocol layer to send appropriate messages.

3.5 Device policy manager

The device policy manager is managing the power resources.

3.6 VBUS power path control

3.6.1 VBUS monitoring

The V_{BUS} monitoring block supervises (from the V_{BUS_SENSE} input pin) the V_{BUS} voltage on the USB Type-C receptacle side.

This block is used to check that V_{BUS} is within a valid voltage range:

- To establish a valid source-to-sink connection according to USB Type-C standard specification
- To enable safely the V_{BUS} power path through $V_{BUS_EN_SRC}$ pin

It allows detection of unexpected V_{BUS} voltage conditions such as undervoltage or overvoltage relative to the valid V_{BUS} voltage range. When such conditions occur, the STUSB4710 reacts as follows:

- At attachment, it prevents the source-to-sink connection and the V_{BUS} power path assertion
- After attachment, it deactivates the source-to-sink connection and disables the V_{BUS} power path. The device goes into error recovery state.

The V_{BUS} voltage value is automatically adjusted at attachment and at each PDO transition. The monitoring is then disabled during $T_{PDO_transition}$ (default 280 ms changed through NVM programming). Additionally, if a transition occurs to a lower voltage, the discharge path is activated during this time.

The valid V_{BUS} voltage range is defined from the V_{BUS} nominal voltage by a high threshold voltage and a low threshold voltage whose minimal values are respectively $V_{BUS}+5\%$ and $V_{BUS}-5\%$. The nominal threshold limits can be shifted by a fraction of V_{BUS} from $+1\%$ to $+15\%$ for the high threshold voltage and from -1% to -15% for the low threshold voltage. This means the threshold limits can vary from $V_{BUS}+5\%$ to $V_{BUS}+20\%$ for the high limit and from $V_{BUS}-5\%$ to $V_{BUS}-20\%$ for the low limit.

The threshold limits are preset by default in the NVM with different shift coefficients (see [Section 8.3: "Electrical and timing characteristics"](#)). The threshold limits can be changed independently through NVM programming (see [Section 8.3: "Electrical and timing characteristics"](#)) and also by software during attachment through the I²C interface (see [Section 6: "I²C register map"](#)).

3.6.2 VBUS discharge

The monitoring block handles also the internal V_{BUS} discharge path connected to the V_{BUS_SENSE} input pin. The discharge path is activated at detachment, or when the device goes into the error recovery state (see [Section 3.8: "Hardware fault management"](#)).

The V_{BUS} discharge path is enabled by default in the NVM and can be disabled through NVM programming only (see [Section 4: "User-defined startup configuration"](#)). Discharge time duration ($T_{PDO_transition}$ and $T_{Transition}$ to 0 V) are also preset by default in the NVM (see [Section 8.3: "Electrical and timing characteristics"](#)). The discharge time duration can be changed through NVM programming (see [Section 4: "User-defined startup configuration"](#)) and also by software through the I²C interface (see [Section 6: "I²C register map"](#)).

3.6.3 VBUS power path assertion

The STUSB4710 can control the assertion of the V_{BUS} power path on USB Type-C port, directly or indirectly, through $VBUS_EN_SRC$ pin.

The following table summarizes the configurations and the conditions that determine the logic value of $VBUS_EN_SRC$ pin during system operation.

Table 5: Conditions for VBUS power path assertion

Pin	Electrical value	Operation conditions			Comment
		Attached state	V_{DD} monitoring	V_{BUS} monitoring	
$VBUS_EN_SRC$	0	Attached.SRC	$V_{DD} > UVLO$ if V_{DD_UVLO} enabled and/or $V_{DD} < OVLO$ if V_{DD_OVLO} enabled	V_{BUS} within valid voltage range if $VBUS_VALID_RANGE$ enabled or $V_{BUS} > UVLO$ if $VBUS_VALID_RANGE$ disabled	The signal is asserted only if all the valid operation conditions are met.
		UnorientedDebug Accessory.SRC			
		OrientedDebug Accessory.SRC			
HiZ		Any other state	$V_{DD} < UVLO$ if V_{DD_UVLO} enabled and/or $V_{DD} > OVLO$ if V_{DD_OVLO} enabled	V_{BUS} is out of valid voltage range if $VBUS_VALID_RANGE$ enabled or $V_{BUS} < UVLO$ if $VBUS_VALID_RANGE$ disabled	The signal is de-asserted when at least one non-valid operation condition is met.



Activation of the UVLO and OVLO threshold detections can be done through NVM programming (see [Section 4: "User-defined startup configuration"](#)) and also by software through the I²C interface (see [Section 6: "I²C register map"](#)). When the UVLO and/or OVLO threshold detection is activated, the $VBUS_EN_SRC$ pin is asserted only if the device is attached and the valid threshold conditions on V_{DD} are met. Once the $VBUS_EN_SRC$ pin is asserted, the V_{BUS} monitoring is done on $VBUS_SENSE$ pin instead of the V_{DD} pin.

3.7 High voltage protection

The STUSB4710 can be safely used in systems or connected to systems that handle high voltage on the V_{BUS} power path. The device integrates an internal circuitry on the CC pins that tolerates high voltage and ensures a protection up to 22 V in case of unexpected short circuit with V_{BUS} or in case of connection to a device supplying high voltage on V_{BUS} .

3.8 Hardware fault management

The STUSB4710 handles hardware fault conditions related to the device itself and the V_{BUS} power path during system operation.

When such conditions occur, the circuit goes into a transient error recovery state named ErrorRecovery in the Type-C FSM. When entering in this state, the device de-asserts the

VBUS power path by disabling the VBUS_EN_SRC pin, and it removes the terminations from the CC pins during several tens of milliseconds. Then, it transitions to the unattached source state.

The STUSB4710 goes into error recovery state when at least one condition listed below is met:

- If an overtemperature is detected, the "THERMAL_FAULT" flag is asserted.
- If an internal pull-up voltage on CC pins is below UVLO threshold, the "VPU_VALID" flag is asserted.
- If an overvoltage is detected on the CC pins, the "VPU_OVP_FAULT" flag is asserted.
- If the V_{BUS} voltage is out of the valid voltage range during attachment, the "VBUS_VALID" flag is asserted.
- If an undervoltage is detected on the V_{DD} pin during attachment when UVLO detection is enabled, the "VDD_UVLO_DISABLE" flag is asserted.
- If an overvoltage is detected on the V_{DD} pin during attachment when OVLO detection is enabled, the "VDD_OVLO_DISABLE" flag is asserted.

The I²C register bits mentioned above in quotes give either the state of the hardware fault when it occurs or the setting condition to detect the hardware fault.

3.9 Accessory mode detection

The STUSB4710 supports the detection of audio accessory mode and debug accessory mode as defined in the USB Type-C standard specification source power role with accessory support.

3.9.1 Audio accessory mode detection

The STUSB4710 detects an audio accessory device when both the CC1 and CC2 pins are pulled down to ground by a R_a resistor from the connected device. The audio accessory detection is advertised through the CC_ATTACHED_MODE bits of the I²C register CC_CONNECTION_STATUS.

3.9.2 Debug accessory mode detection

The STUSB4710 detects a connection to a debug and test system (DTS) when it operates either in sink power role or source power role. The debug accessory detection is advertised by the DEBUG1 and DEBUG2 pins as well as through the CC_ATTACHED_MODE bits of the I²C register CC_CONNECTION_STATUS.

In source power role, a debug accessory device is detected when both the CC1 and CC2 pins are pulled down to ground by a R_d resistor from the connected device. The orientation detection is performed in two steps as described in the table below. The DEBUG2 pin is asserted to advertise the DTS detection and the A_B_SIDE pin indicates the orientation of the connection. The orientation detection is advertised through the TYPEC_FSM_STATE bits of the I²C register CC_OPERATION_STATUS.

4 User-defined startup configuration

4.1 Parameter overview

The STUSB4710 has a set of user-defined parameters that can be customized by NVM re-programming and/or by software through I²C interface. It allows changing the preset configuration of USB Type-C and PD interface and to define a new configuration to meet specific customer requirements addressing various applications, use cases or specific implementations.

The NVM re-programming overrides the initial default setting to define a new default setting that will be used at power-up or after a reset. The default value is copied at power-up, or after a reset, from the embedded NVM into dedicated I²C register bits. The NVM re-programming is possible few times with a customer password.

Table 6: PDO configurations in NVM

Feature	Parameter	Value	Default
PDO1	Voltage	5 V	5 V
	Current	Configurable – defined by PDO1_I [3:0]	3 A
PDO2	Voltage	Configurable – defined by PDO2_V [1:0]	9 V
	Current	Configurable – defined by PDO2_I [3:0]	3 A
PDO3	Voltage	Configurable – defined by PDO3_V [1:0]	12 V
	Current	Configurable – defined by PDO3_I [3:0]	3 A
PDO4	Voltage	Configurable – defined by PDO4_V [1:0]	15 V
	Current	Configurable – defined by PDO4_I [3:0]	3 A
PDO5	Voltage	Configurable – defined by PDO5_V [1:0]	20 V
	Current	Configurable – defined by PDO5_I [3:0]	2.25 A

When a default value is changed during system boot by software, the new settings apply as long as STUSB4710 is operating and until it is changed again. But after power-off and power-up, or after a hardware reset, STUSB4710 takes back default values defined in the NVM.

4.2 PDO – voltage configuration in NVM

PDO2_V [1:0], PDO3_V [1:0], PDO4_V [1:0] and PDO5_V [1:0] can be configured with the following values:

Table 7: PDO NVM voltage configuration

Value	Configuration
2b00	9 V
2b01	15 V
2b10	PDO_FLEX_V1
2b11	PDO_FLEX_V2

PDO_FLEX_V1 and PDO_FLEX_V2 are defined in a specific 10-bit register, value being expressed in 50 mV units.

For instance:

- PDO_FLEX_V1 = 10b0100100010 → 14.5 V
- PDO_FLEX_V2 = 10b0110000110 → 19.5 V

4.3 PDO – current configuration in NVM

PDO1_I [3:0], PDO2_I [3:0], PDO3_I [3:0], PDO4_I [3:0] and PDO5_I [3:0] can be configured with the following fixed values:

Table 8: PDO NVM current configuration

Value	Configuration
4b0000	PDO_FLEX_I
4b0001	1.50 A
4b0010	1.75 A
4b0011	2.00 A
4b0100	2.25 A
4b0101	2.50 A
4b0110	2.75 A
4b0111	3.00 A
4b1000	3.25 A
4b1001	3.50 A
4b1010	3.75 A
4b1011	4.00 A
4b1100	4.25 A
4b1101	4.50 A
4b1110	4.75 A
4b1111	5.00 A

PDO_FLEX_I is defined in a specific 10-bit register, value being expressed in 10 mA units. For instance:

- PDO_FLEX_I = 10b0011100001 → 2.25 A

4.4 Monitoring configuration in NVM

- T_PDO_Transition can be configured from 20 to 300 ms by increments of 20 ms (0 is not recommended). Default value is 240 ms.
- T_Transition_to_0V can be configured from 84 to 1260 ms by increments of 84 ms (0 is not recommended). Default value is 168 ms.
- Vshift_High can be configured from (5 to 20%). Default value ranges from 8% to 12%.
- Vshift_Low can be configured from (5 to 20%). Default value is 10% for all PDO.

4.5 Discharge configuration in NVM

Both internal and external discharge paths are enabled by default. VBUS_DISCH control pin is configured to drive a PMOS by default (active low).

5 I²C interface

5.1 Read and write operations

The I²C interface is used to configure, control and read the status of the device. It is compatible with the Philips I²C Bus® (version 2.1). The I²C is a slave serial interface based on two signals:

- SCL - serial clock line: input clock used to shift data
- SDA - serial data line: input/output bidirectional data transfers

A filter rejects the potential spikes on the bus data line to preserve data integrity.

The bidirectional data line supports transfers up to 400 Kbit/s (fast mode). The data are shifted to and from the chip on the SDA line, MSB first.

The first bit must be high (START) followed by the 7-bit device address and the read/write control bit.

Two 7-bit device addresses are available for STUSB4710 thanks to external programming of DevADDR0, through ADDR0, pin setting. It allows to connect two STUSB4710 devices on the same I²C bus.

ADDR are not available for all configurations.

Device address format:

Bit7	Bit6	Bit5	Bit4	Bit3	Bit2	Bit1	Bit0
DevADDR6	DevADDR5	DevADDR4	DevADDR3	DevADDR2	DevADDR1	DevADDR0	R/W
0	1	0	1	0	0	ADDR0	0/1

Register address format:

Bit7	Bit6	Bit5	Bit4	Bit3	Bit2	Bit1	Bit0
RegADDR7	RegADDR6	RegADDR5	RegADDR4	RegADDR3	RegADDR2	RegADDR1	RegADDR0

Register data format:

Bit7	Bit6	Bit5	Bit4	Bit3	Bit2	Bit1	Bit0
DATA7	DATA6	DATA5	DATA4	DATA3	DATA2	DATA1	DATA0

Figure 5: Read operation

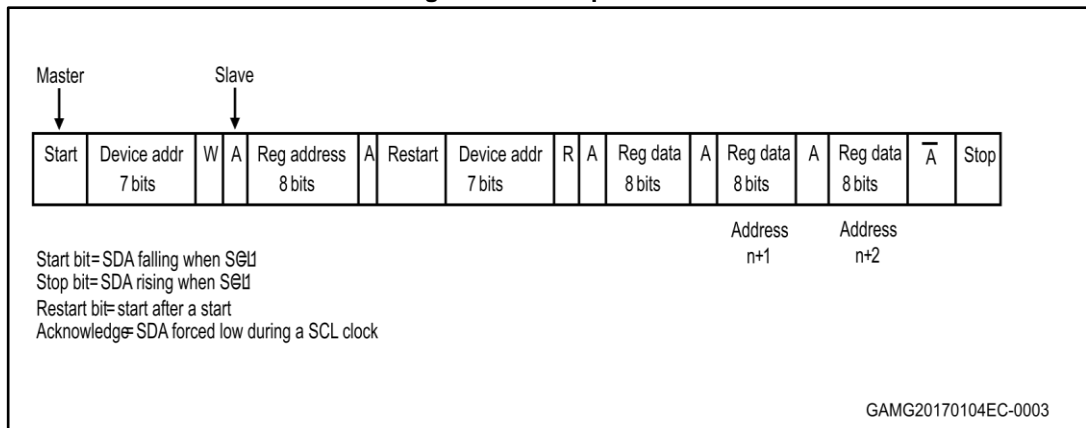
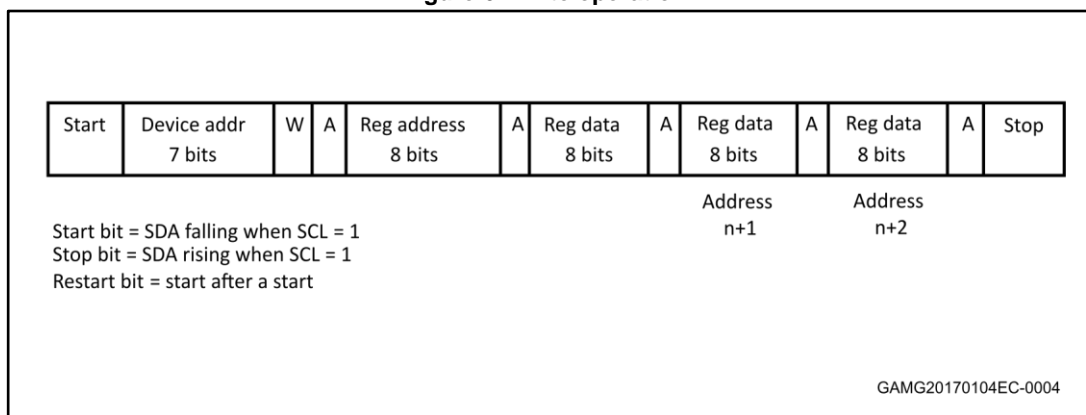


Figure 6: Write operation



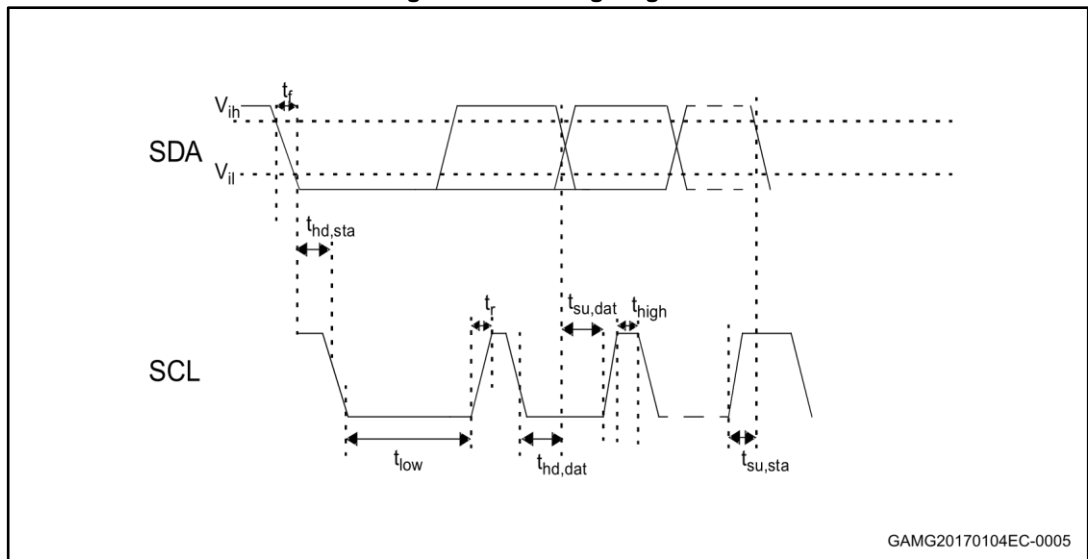
5.2 Timing specifications

The device uses a standard slave I²C channel at speed up to 400 kHz.

Table 9: I²C timing parameters - VDD = 5 V

Symbol	Parameter	Min	Typ	Max	Unit
F _{scl}	SCL clock frequency	0	-	400	kHz
t _{hd,sta}	Hold time (repeated) START condition	0.6	-	-	µs
t _{low}	LOW period of the SCL clock	1.3	-	-	µs
t _{high}	HIGH period of the SCL clock	0.6	-	-	µs
t _{su,dst}	Setup time for repeated START condition	0.6	-	-	µs
t _{hd,dst}	Data hold time	0.04	-	0.9	µs
t _{su,dst}	Data setup time	100	-	-	µs
t _r	Rise time of both SDA and SCL signals	20 + 0.1 C _b	-	300	ns
t _f	Fall time of both SDA and SCL signals	20 + 0.1 C _b	-	300	ns
t _{su,sto}	Setup time for STOP condition	0.6	-	-	µs
t _{buf}	Bus free time between a STOP and START condition	1.3	-	-	µs
C _b	Capacitive load for each bus line	-	-	400	pF

Figure 7: I²C timing diagram



6 I²C register map

Table 10: STUSB4710 register map overview

Address	Register name	Access	Description
00h to 0Ah	Reserved	RO	Do not use
0Bh	ALERT_STATUS	RC	Alert register linked to transition registers
0Ch	ALERT_STATUS_MASK_CTRL	R/W	Interrupt mask on ALERT_STATUS register
0Dh	CC_CONNECTION_STATUS_TRANS	RC	Alerts on transition in CC_CONNECTION_STATUS register
0Eh	CC_CONNECTION_STATUS	RO	CC connection status
0Fh	MONITORING_STATUS_TRANS	RC	Alerts on transition in MONITORING_STATUS register
10h	MONITORING_STATUS	RO	Gives status on V _{BUS} voltage monitoring
11h	Reserved	RO	Do not use
12h	HW_FAULT_STATUS_TRANS	RC	Alerts on transition in HW_FAULT_STATUS register
13h	HW_FAULT_STATUS	RO	Hardware faults status
14h to 17h	Reserved	RO	Do not use
18h	CC_CAPABILITY_CTRL	R/W	Allows to change the CC capabilities
19h to 22h	Reserved	RO	Do not use
23h	RESET_CTRL	R/W	Controls the device reset by software
24h	Reserved	RO	Do not use
25h	VBUS_DISCHARGE_TIME_CTRL	R/W	Parameters defining V _{BUS} discharge time
26h	VBUS_DISCHARGE_CTRL	R/W	Controls the V _{BUS} discharge path
27h	VBUS_ENABLE_STATUS	RO	V _{BUS} power path activation status
2Eh	VBUS_MONITORING_CTRL	R/W	Allows to change the monitoring conditions of V _{BUS} voltage
19h to 1Eh	Reserved	RO	Do not use
71h	SRC_PDO1	R/W	PDO1 capabilities configuration
75h	SRC_PDO2	R/W	PDO2 capabilities configuration
79h	SRC_PDO3	R/W	PDO3 capabilities configuration
7Dh	SRC_PDO4	R/W	PDO4 capabilities configuration
81h	SRC_PDO5	R/W	PDO5 capabilities configuration
91h	SRC_RDO	RO	PDO request status

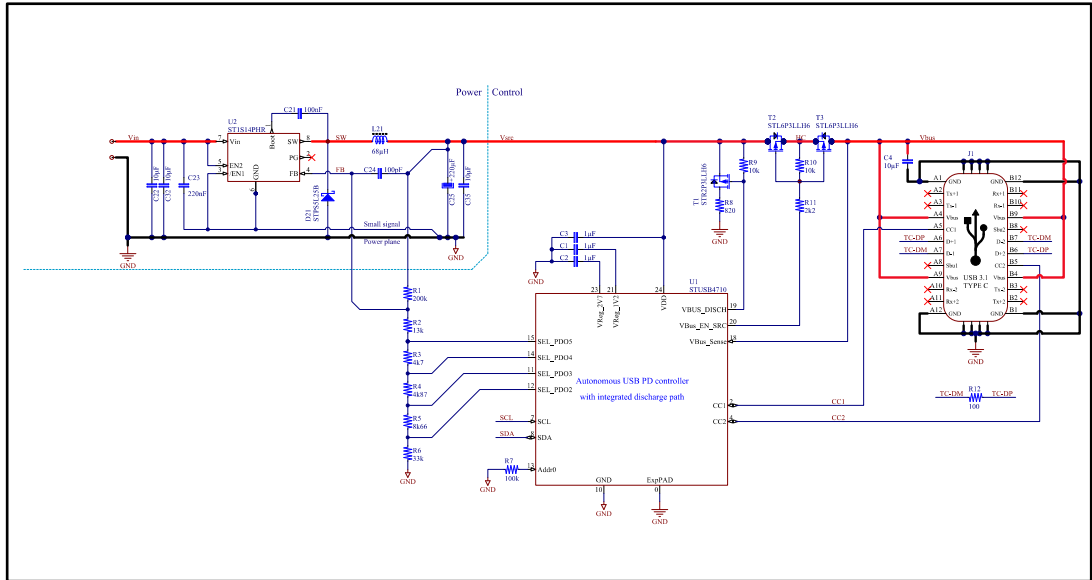
Table 11: Register access legend

Access code	Expanded name	Description
RO	Read only	Register can be read only
R/W	Read / Write	Register can be read or written
RC	Read and clear	Register can be read and is cleared after read

7 Typical use cases

7.1 Power supply – buck topology

Figure 8: Power supply - buck topology



The STUSB4710 offers the possibility to have up to 5 PDOs using (GPIO0 to GPIO3).

For example PDO1:5V 3A (no GPIO grounded), PDO2:9V 3A (GPIO0 to GND), PDO3:12V 3A (GPIO1 to GND), PDO4:15 volt (GPIO2 to GND), PDO5: 20 volt GPIO3 to GND)

Table 12: Resistor value

PDO	V _{OUT}	Computation	Resistor value (ohm)
-	-	R ₁	200 k
5	20	$R_2 = \frac{R_1 \cdot 1.22}{V_{OUT} - 1.22}$	13 k
4	15	$R_3 = \frac{R_1 \cdot 1.22}{V_{OUT} - 1.22} - R_2$	4k7
3	12	$R_4 = \frac{R_1 \cdot 1.22}{V_{OUT} - 1.22} - R_2 - R_3$	4k87
2	9	$R_5 = \frac{R_1 \cdot 1.22}{V_{OUT} - 1.22} - R_2 - R_3 - R_4$	8k66
1	5	$R_6 = \frac{R_1 \cdot 1.22}{V_{OUT} - 1.22} - R_2 - R_3 - R_4 - R_5$	33k

7.2 Power supply – flyback topology

The STUSB4710 offers the possibility to have up to 5 PDOs using GPIO0 to GPIO3.

For example PDO1 (5 V; 3 A) (no Sel_PDO grounded), PDO2 (9 V; 3 A) (GPIO0 to GND), PDO3 (15 V; 3 A) (GPIO1 to GND).

Figure 9: Fly-back topology

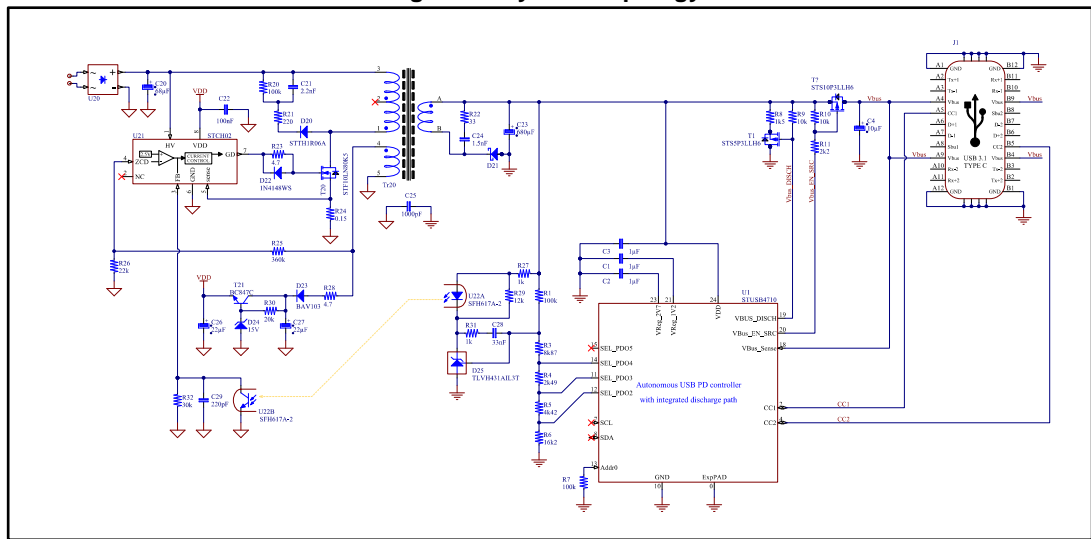


Table 13: Resistor value

PDO	V _{OUT}	Computation	Resistor value (Ω)
-	-	R1	100 k
4	15	$R_3 = \frac{R_1 \cdot 1.24}{V_{OUT} - 1.24}$	8k87
3	12	$R_4 = \frac{R_1 \cdot 1.24}{V_{OUT} - 1.24} - R_3$	2k49
2	9	$R_5 = \frac{R_1 \cdot 1.24}{V_{OUT} - 1.24} - R_3 - R_4$	4k42
1	5	$R_6 = \frac{R_1 \cdot 1.22}{V_{OUT} - 1.22} - R_2 - R_3 - R_4 - R_5$	16k2

8 Electrical characteristics

8.1 Absolute maximum rating

All voltages are referenced to GND.

Table 14: Absolute maximum rating

Symbol	Parameter	Value	Unit
V _{DD}	Supply voltage	28	V
V _{CC1} , V _{CC2}	High voltage on CC pins	22	V
V _{VBUS_EN_SRC} V _{VBUS_SENSE} V _{VBUS_DISCH}	High voltage on V _{BUS} pins	28	V
V _{SCL} , V _{SDA}	Operating voltage on I/O pins	-0.3 to 6	V
T _{STG}	Storage temperature	-55 to 150	°C
T _J	Maximum junction temperature	145	°C
ESD	HBM	4	kV
	CDM	1.5	

8.2 Operating conditions

Table 15: Operating conditions

Symbol	Parameter	Value	Unit
V _{DD}	Supply voltage	4.1 to 22	V
V _{CC1} , V _{CC2}	CC pins ⁽¹⁾	-0.3 to 5.5	V
V _{VBUS_EN_SRC} V _{VBUS_SENSE} V _{VBUS_DISCH}	High voltage pins	0 to 22	V
V _{SCL} , V _{SDA}	Operating voltage on I/O pins	0 to 4.5	V
T _A	Operating temperature	-40 to 105	°C

Notes:

⁽¹⁾Transient voltage on CC1 and CC2 pins are allowed to go down to -0.3 during BMC communication from connected devices.

8.3 Electrical and timing characteristics

Unless otherwise specified: V_{DD} = 5 V, T_A = +25 °C, all voltages are referenced to GND.

Table 16: Electrical characteristics

Symbol	Parameter	Conditions	Min	Typ	Max	Unit
I _{DD(SRC)}	Current consumption	Device Idle as SOURCE (not connected, no communication)				
		V _{DD} @ 5.0 V	–	188	–	μA
I _{STDBY}	Standby	Device standby (not connected, low power)				

Electrical characteristics

STUSB4710

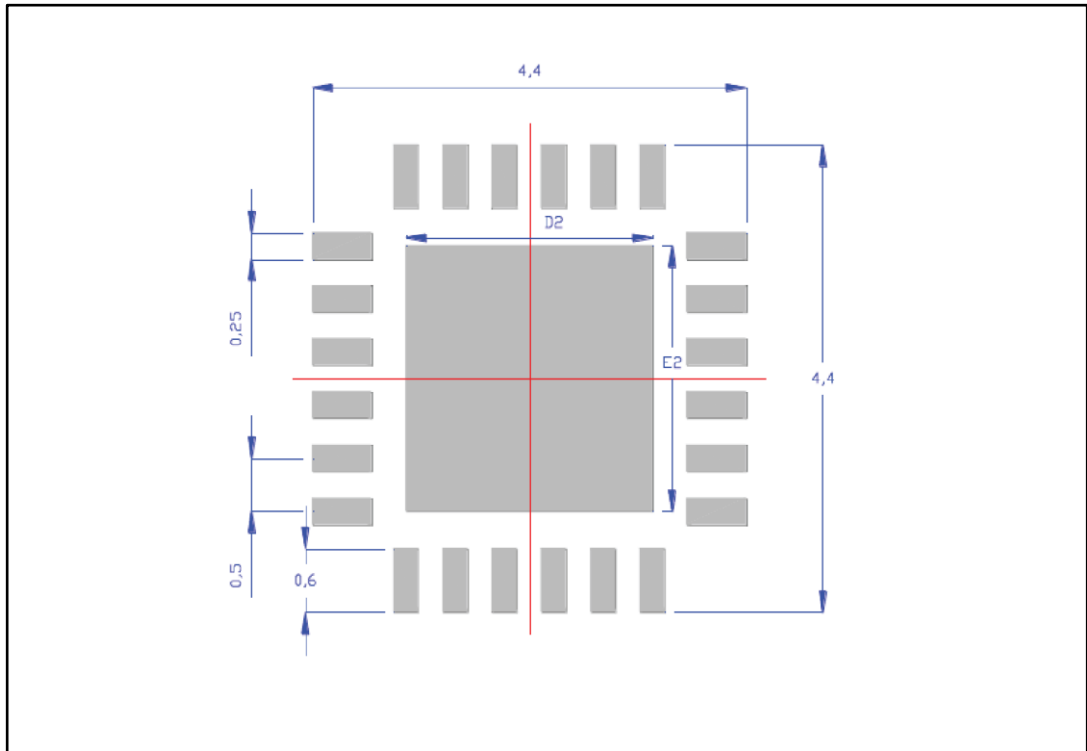
Symbol	Parameter	Conditions	Min	Typ	Max	Unit
	current consumption	V _{DD} @ 5.0 V	–	53	–	μA
CC1 and CC2 pins						
I _{P-USB}	CC current sources	CC pin voltage	-20%	80	+20%	μA
I _{P-1.5}		V _{CC} = -0.3 to 2.6 V	-8%	180	+8%	μA
I _{P-3.0}		-40° < T _A < +105°	-8%	330	+8%	μA
V _{CCO}	CC open pin voltage	CC unconnected, V _{DD} =3.0 to 5.5 V	2.75	–	–	V
R _d	CC pull-down resistors	-40° < T _A < +105°	-10%	5.1	+10%	kΩ
V _{CCDB-1.5} V _{CCDB-3.0}	CC pin voltage in dead battery condition	External I _P =180 μA applied into CC	–	–	1.2	V
		External I _P =330 μA applied into CC (V _{DD} = 0, dead battery function enabled)	–	–	2	V
R _{INCC}	CC input impedance	Pull-up and pull-down resistors off	200	–	–	kΩ
V _{TH0.2}	Detection threshold 1	Max R _a detection by DFP at I _P = I _{P-USB} , min I _{P-USB} detection by UFP on R _d , min CC voltage for connected UFP	0.15	0.2	0.25	V
V _{TH0.4}	Detection threshold 2	Max R _a detection by DFP at I _P = I _{P-1.5}	0.35	0.4	0.45	V
V _{TH0.66}	Detection threshold 3	Min I _{P-1.5} detection by UFP on R _d	0.61	0.66	0.7	V
V _{TH0.8}	Detection threshold 4	Max R _a detection by DFP at I _P = I _{P-3.0}	0.75	0.8	0.85	V
V _{TH1.23}	Detection threshold 5	Min I _{P-3.0} detection by UFP on R _d	1.16	1.23	1.31	V
V _{TH1.6}	Detection threshold 6	Max R _d detection by DFP at I _P = I _{P-USB} and I _P = I _{P-1.5}	1.5	1.6	1.65	V
V _{TH2.6}	Detection threshold 7	Max R _d detection by DFP at I _{P-3.0} , max CC voltage for connected UFP	2.45	2.6	2.75	V
V _{BUS} monitoring and driving						
V _{THUSB}	V _{BUS} presence threshold		3.8	3.9	4	V
V _{THOV}	V _{BUS} safe 0V threshold (vSafe0V)	Programmable threshold (from 0.6 to 1.8 V) Default V _{THOV} = 0.6 V	0.5	0.6	0.7	V
			0.8	0.9	1	
			1.1	1.2	1.3	
			1.7	1.8	1.9	



Symbol	Parameter	Conditions	Min	Typ	Max	Unit
R _{DISUSB}	V _{BUS} discharge resistor		600	700	800	Ω
T _{DISUSB}	V _{BUS} discharge time to 0 V	Default T _{DISUSB} = 840 ms. The coefficient T _{DISPARAM} is programmable by NVM.	70 *T _{DISPARAM}	84 *T _{DISPARAM}	100 *T _{DISPARAM}	ms
T _{DISUSB}	V _{BUS} discharge time to PDO	Default T _{DISUSB} = 200 ms The coefficient T _{DISPARAM} is programmable by NVM	20 *T _{DISPARAM}	24 *T _{DISPARAM}	28 *T _{DISPARAM}	ms
V _{MONUSBH}	V _{BUS} monitoring high voltage threshold	V _{BUS} = nominal target value Default V _{MONUSBH} = V _{BUS} +10% The threshold limit is programmable by NVM from V _{BUS} +5% to V _{BUS} +20%	–	V _{BUS} +10%	–	V
V _{MONUSBL}	V _{BUS} monitoring low voltage threshold	V _{BUS} = nominal target value Default V _{MONUSBL} = V _{BUS} -10% The threshold limit is programmable by NVM from V _{BUS} -20% to V _{BUS} -5%	–	V _{BUS} -10%	–	V
Digital input/output (SCL, SDA)						
V _{IH}	High level input voltage		1.2	–	–	V
V _{IL}	Low level input voltage		–	–	0.35	V
V _{OL}	Low level output voltage	I _{oh} = 3 mA	–	–	0.4	V
20 V open drain outputs (VBUS_EN_SRC)						
V _{OL}	Low level output voltage	I _{oh} = 3 mA	–	–	0.4	V

Symbol	Millimeters		
	Min	Typ	Max
D	3.95	4.00	4.05
D2	2.55	2.70	2.80
E	3.95	4.00	4.05
E2	2.55	2.70	2.80
e	0.45	0.50	0.55
K	0.15	—	—
L	0.30	0.40	0.50

Figure 11: QFN24 EP 4x4 mm recommended footprint



9.2 QFN16 package information

Figure 12: QFN16 package outline

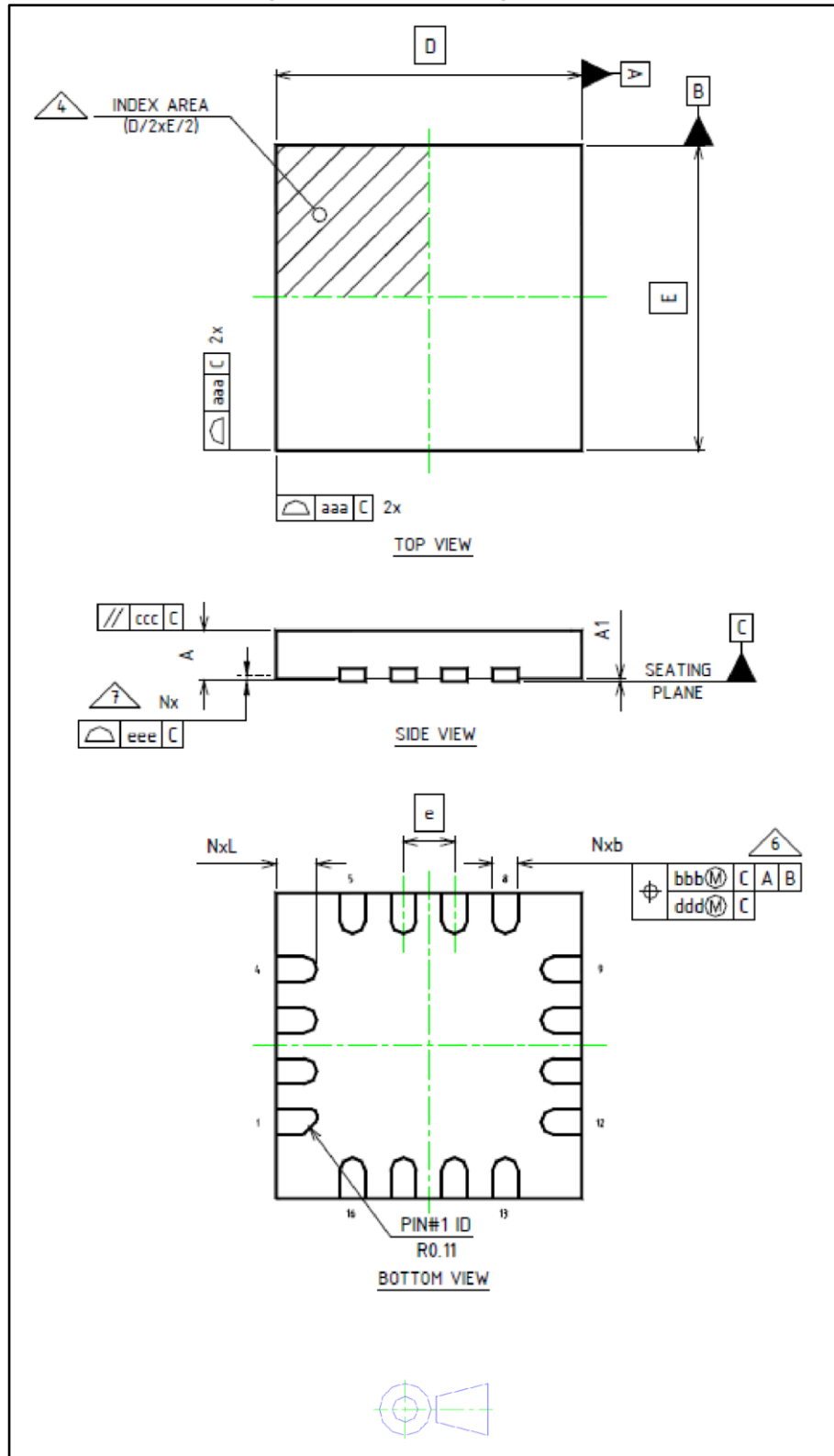


Table 18: QFN16 (3x3x0.55) mechanical data

Symbol	Milimeters		
	Min	Typ	Max
A	0.5		0.65
A1	0		0.05
b	0.18	0.25	0.30
D	align="center"3.00 BSC		
E	3.00 BSC		
e		0.50	
L	SEE VARIATIONS		
aaa			0.15
bbb			0.10
ccc			0.10
ddd			0.05
eee			0.08
n		16	
nD		4	
nE		4	
		L	
OPTION 1	0.30		0.50
OPTION 2	0.40		0.60

9.3 SO-16 package information

Figure 13: SO-16 package outline

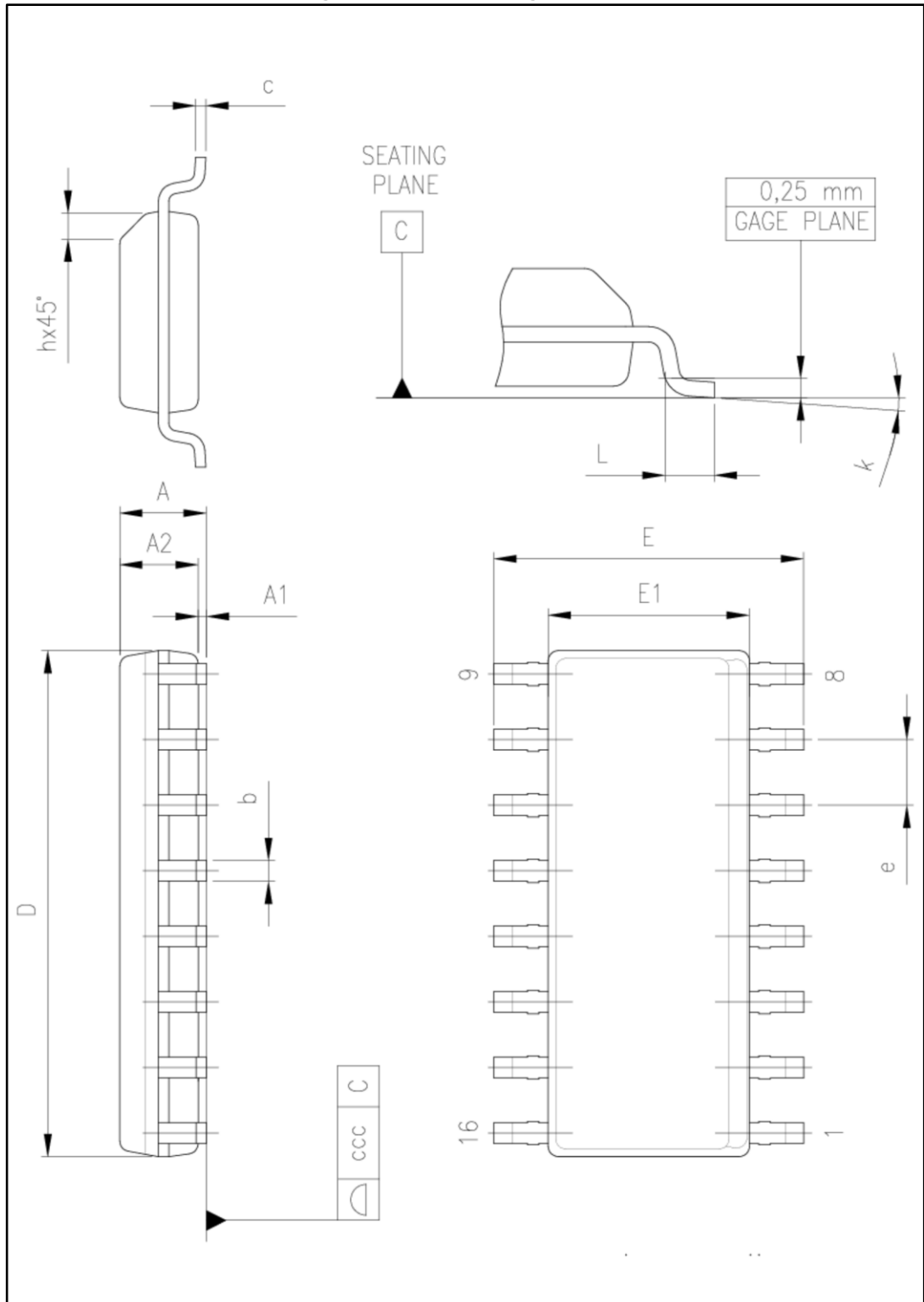


Table 19: SO-16 mechanical data

Symbol	Millimeters		
	Min	Typ	Max
A			1.75
A1	0.10		0.25
A2	1.25		
b	0.31		0.51
c	0.17		0.25
D	9.80	9.90	10.00
E		6.00	6.20
E1		3.90	4.00
e		1.27	
h			0.50
L			1.27
k			8
ccc			0.10

9.4 Thermal information

Table 20: Thermal information

Package	Symbol	Parameter	Value	Unit
QFN24 EP	R _{θJA}	Junction-to-ambient thermal resistance	37	°C/W
	R _{θJC}	Junction-to-case thermal resistance	5	
QFN16	R _{θJA}	Junction-to-ambient thermal resistance	78	
	R _{θJC}	Junction-to-case thermal resistance	30	
SO-16	R _{θJA}	Junction-to-ambient thermal resistance	95	

9.5 Packing information

Figure 14: Reel information

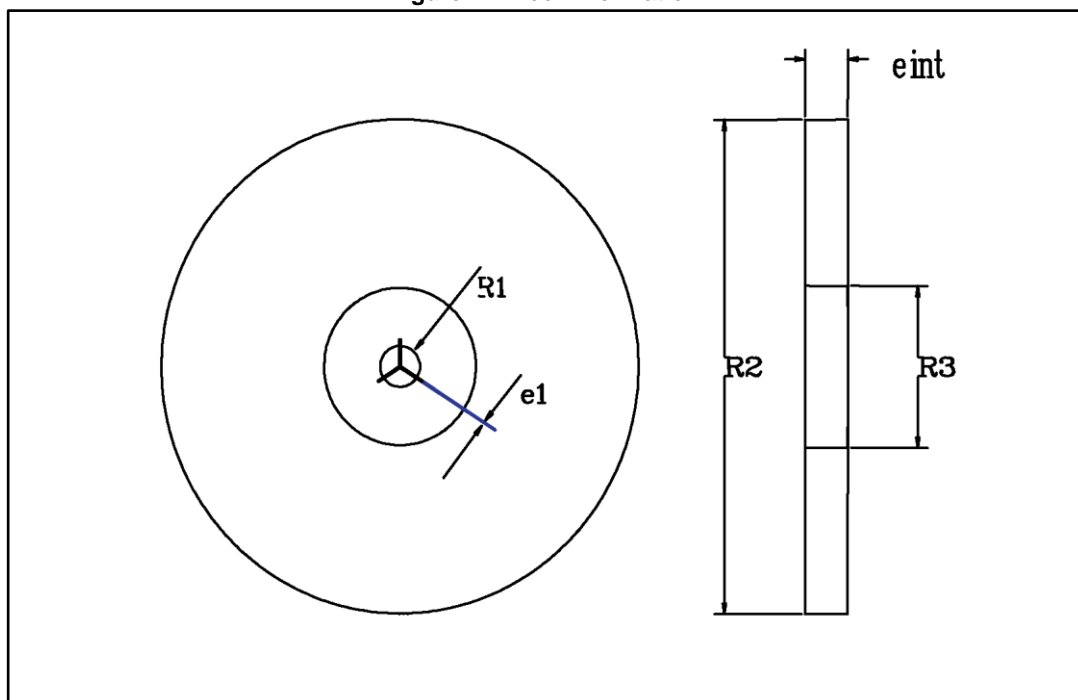


Table 21: Tape dimensions

Package	Pitch	Carrier width	Reel
QFN 4x4 - 24L	8 mm	12 mm	13"

10 Terms and abbreviations

Table 22: List of terms and abbreviations

Term	Description
Accessory modes	Audio adapter accessory mode. It is defined by the presence of Ra/Ra on the CC1/CC2 pins.
	Debug accessory mode. It is defined by the presence of Rd/Rd on CC1/CC2 pins in Source power role or Rp/Rp on CC1/CC2 pins in Sink power role.
DFP	Downstream Facing Port, associated with the flow of data in a USB connection. Typically, the ports on a HOST or the ports on a hub to which devices are connected. In its initial state, the DFP sources V_{BUS} and V_{CONN} and supports data.
DRP	Dual-role port. A port that can operate as either a source or a sink. The port's role may be changed dynamically.
Sink	Port asserting Rd on the CC pins and consuming power from the V_{BUS} ; most commonly a device.
Source	Port asserting Rp on the CC pins and providing power over the V_{BUS} ; usually a host or hub DFP.
UFP	Upstream Facing Port, specifically associated with the flow of data in a USB connection. The port on a device or a hub that connects to a host or the DFP of a hub. In its initial state, the UFP sinks the V_{BUS} and supports data.

11 Revision history

Table 23: Document revision history

Date	Version	Changes
05-Apr-2017	1	Initial release.
12-Jul-2017	2	Updated Features, Table 2: "Pin functions list", Section 2.3.10: "SEL_PDO [5:2]", Section 4.4: "Monitoring configuration in NVM", Section 4.5: "Discharge configuration in NVM", Section 5.1: "Read and write operations", Table 15: "Operating conditions ", Table 20: "Thermal information", and Section 7.2: "Power supply – flyback topology".
23-Aug-2017	3	Updated Table 1: "Device summary table"

IMPORTANT NOTICE – PLEASE READ CAREFULLY

STMicroelectronics NV and its subsidiaries ("ST") reserve the right to make changes, corrections, enhancements, modifications, and improvements to ST products and/or to this document at any time without notice. Purchasers should obtain the latest relevant information on ST products before placing orders. ST products are sold pursuant to ST's terms and conditions of sale in place at the time of order acknowledgement.

Purchasers are solely responsible for the choice, selection, and use of ST products and ST assumes no liability for application assistance or the design of Purchasers' products.

No license, express or implied, to any intellectual property right is granted by ST herein.

Resale of ST products with provisions different from the information set forth herein shall void any warranty granted by ST for such product.

ST and the ST logo are trademarks of ST. All other product or service names are the property of their respective owners.

Information in this document supersedes and replaces information previously supplied in any prior versions of this document.

© 2017 STMicroelectronics – All rights reserved