

THIS DRAWING IS UNPUBLISHED. RELEASED FOR PUBLICATION SEPT, 2005.

© COPYRIGHT 2005 BY TYCO ELECTRONICS CORPORATION. ALL RIGHTS RESERVED.

LOC	DIST	REVISIONS					
E	B	P	LTR	DESCRIPTION	DATE	DWN	APVD
		C		ECR-05-010729	07SEPT05	JMS	FWK

NOTES:

- ① PACK IN ACCORDANCE WITH AMP SPEC 107-3275
- ② 100 TRAY PACK IN ACCORDANCE WITH AMP SPEC 107-3275
- ③ Au PLATING OVER Ni PLATING OVER Cu PLATING

4. ELECTRICAL CHARACTERISTICS

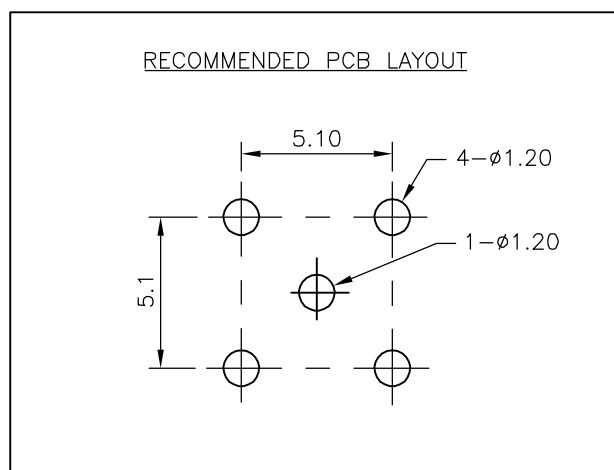
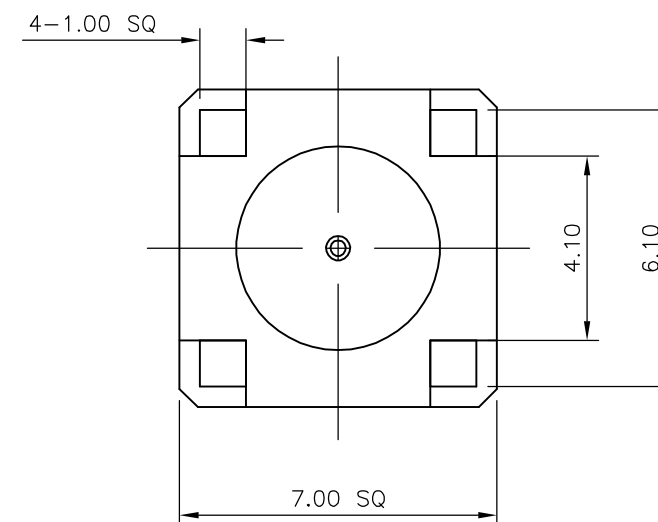
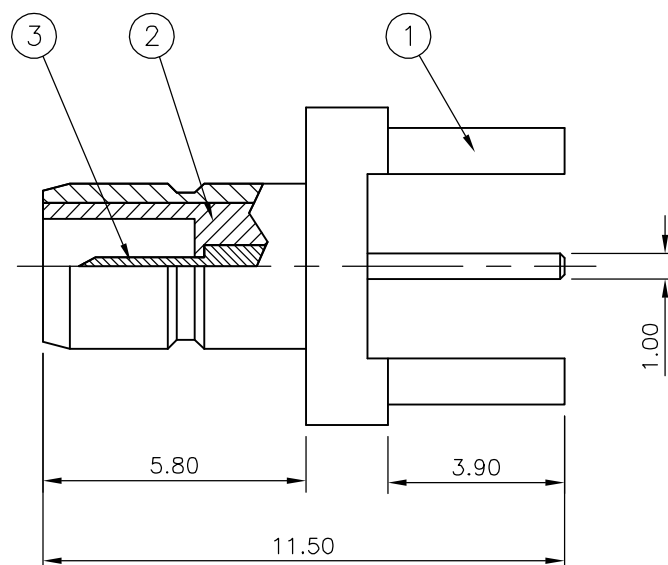
FREQUENCY RANGE: DC - 4 GHz
 NOMINAL IMPEDANCE: 50 Ohm
 INSULATION RESISTANCE: 1000 MOhm
 WORKING VOLTAGE: 250 Volts RMS at Sea Level
 DIELECTRIC WITHSTAND VOLTAGE: 750 Volts RMS Max
 CONTACT RESISTANCE:
 CENTRE CONTACT: 6.00 mOhm Max
 OUTER CONTACT: 1.00 mOhm Max

5. MECHANICAL CHARACTERISTICS

DURABILITY: 500 Cycles Min

6. ENVIRONMENTAL CHARACTERISTICS

OPERATING TEMPERATURE: -65 to +165 DegC



QTY	PLC	DESCRIPTION	ITEM
1	1	BRASS CONTACT	③ 3
1	1	PTFE INSULATION	2
1	1	BRASS BODY	③ 1
6--0	1--0	MATERIAL DESCRIPTION	

THIS DRAWING IS A CONTROLLED DOCUMENT.		DWN J.SANDWELL 07SEPT05	Tyco Electronics Corporation Bideford, UK, EX39 4HE	
DIMENSIONS: mm		CHK S.PARLOW 07SEPT05		
TOLERANCES UNLESS OTHERWISE SPECIFIED:		APVD F.WHEELER-KING 07SEPT05	NAME SMB STRAIGHT PCB SOCKET	
0 PLC ± -		PRODUCT SPEC -	50 OHM	
1 PLC ± -		APPLICATION SPEC -	SIZE A3	CAGE CODE 00779
2 PLC ± -		WEIGHT -	DRAWING NO C-1337482	
3 PLC ± -		MATERIAL SEE TABLE	RESTRICTED TO -	
4 PLC ± -		FINISH -	SCALE NTS	
ANGLES ± -		CUSTOMER DRAWING	SHEET 1 OF 1	
FINISH -			REV C	