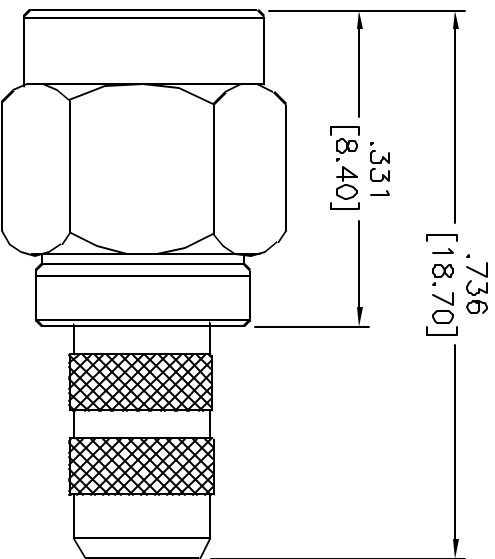
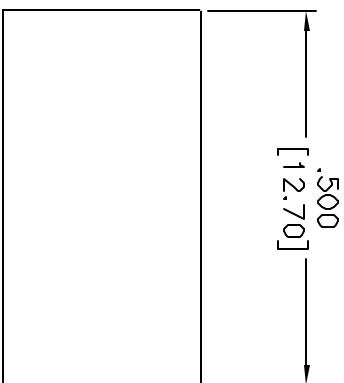
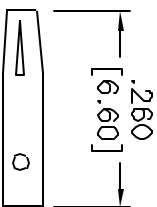


ALL RIGHTS RESERVED. NO PORTION OF THIS PUBLICATION, WHETHER IN WHOLE OR IN PART CAN BE REPRODUCED WITHOUT THE EXPRESS WRITTEN CONSENT OF SPC TECHNOLOGY.



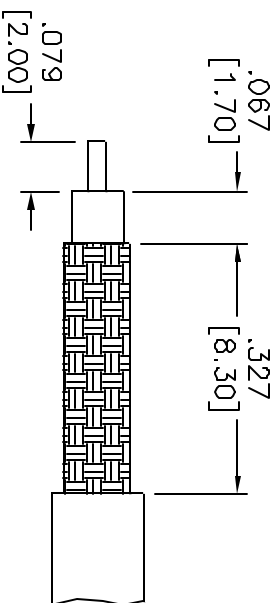
REVISONS		DOC. NO.	SPC-1005	Effective:	12/21/98	DCP No:	880	
DCP #	REV	DESCRIPTION	DRAWN	DATE	CHECKD	DATE	APPRVD	DATE
987	A	RELEASED	JMM	3/6/01	JC	4/16/01	DJC	4/27/01



Ferrule
(Use Crimp Die .213)

Specifications

1. Impedance: 50 Ohms
2. For RG-58, 58A, 58C, 141, 141A, Belden 8240, 8259, 8262, 9201, 9203, 9310, 9311 & Comm/Scope 0268
3. Body - Brass, Gold Plated
4. Insulator - PTFE
5. Contact - Beryllium Copper, Gold Plated
6. Gasket - Silicone, Red
7. Shell - Brass, Gold Plated
8. Ferrule - Copper, Gold Plated
9. Frequency Range: DC to 12.4 GHz



Recommended Stripping Dimensions

DISCLAIMER
ALL STATEMENTS AND TECHNICAL INFORMATION CONTAINED HEREIN ARE BASED UPON INFORMATION AND/OR TESTS WE BELIEVE TO BE ACCURATE AND RELIABLE. SINCE CONDITIONS OF USE ARE BEYOND OUR CONTROL, THE USER SHALL DETERMINE THE SUITABILITY OF THE PRODUCT FOR THE INTENDED USE AND ASSUME ALL RISK AND LIABILITY WHATSOEVER IN CONNECTION THEREWITH.



SPC TECHNOLOGY

DRAWING TITLE: SMA Reverse Polarity Crimp Plug

Tolerances - Unless Otherwise Specified:
.XXX = ±.003 [108]
.XX = ±.005 [13]

DRAWN BY:	DATE:
Jeff McVicker	3/6/01
CHECKED BY:	DATE:
JOHN COLE	4/16/01
APPROVED BY:	DATE:
Daniel Carey	4/27/01

SIZE	DWG. NO.	ELECTRONIC FILE	REV
A	SPC10054	18C1927.dwg	A
SCALE:	NTS	U.O.M.: INCHES [mm]	SHEET: 1 OF 1