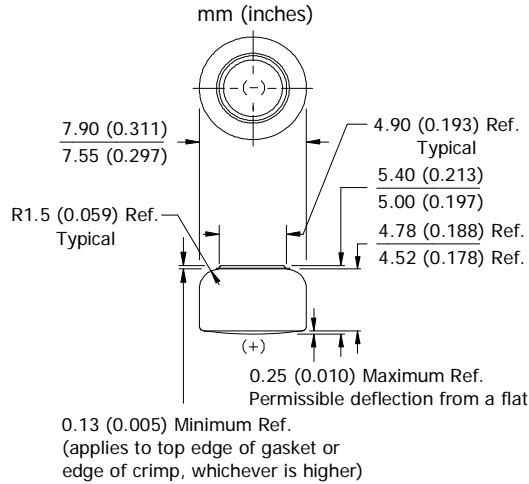


ENERGIZER 393

SILVER OXIDE



Industry Standard Dimensions



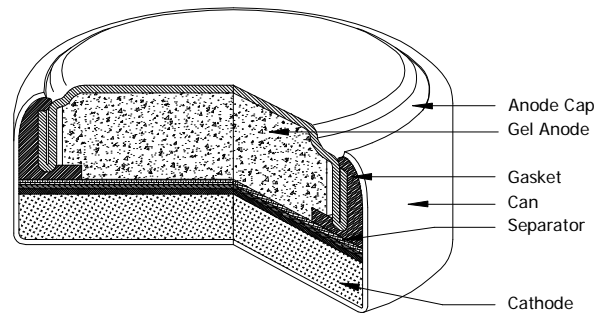
DESIGNED FOR USE ON CONTINUOUS LOW DRAIN
HIGH PULSE ON DEMAND

Specifications

Chemical System: Silver Oxide (Zn/Ag₂O)
Designation: ANSI-1137SO, IEC-SR48
Nominal Voltage: 1.55 Volts
Typical Capacity: 75 mAh* (to 1.2 volts)
Capacity Test: 10K ohm continuous drain at 21°C
Typical Weight: 1.12 grams (0.04 oz.)
Typical Volume: 0.26 cubic centimeters (0.16 cubic inch)
Impedance (40 Hz): 20 to 30 ohms

* Varies according to the applied load, temperature, and cutoff voltage.

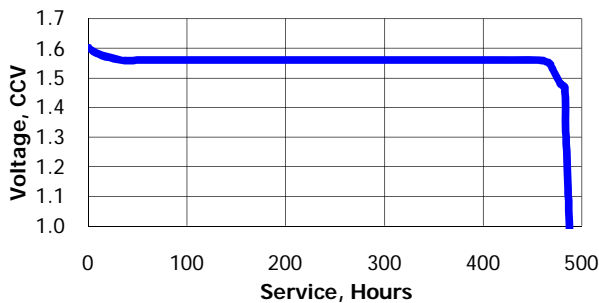
Cross Section



Typical Discharge Characteristics

Typical Performance at 21°C (70°F)

Schedule: Continuous
Typical Drain @1.55V:
 0.155 milliamperes
Load: 10K ohm

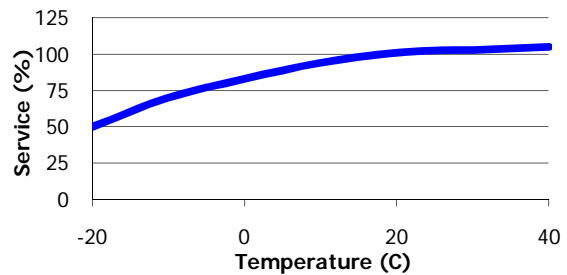


Schedule	Typical Drains at 1.55V (milliamperes)	Load (ohm)	Cutoff (hours)
Continuous	0.155	10K	484

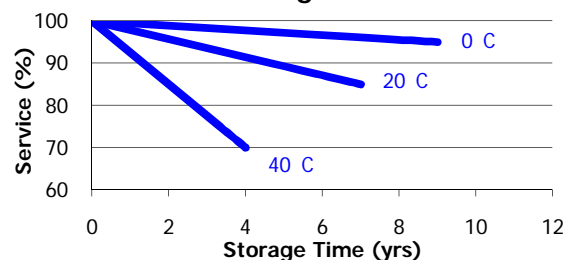
Temperature Characteristics

Typical Performance at Low Discharge Rates

Service Effects



Storage Effects



Important Notice

This datasheet contains typical information specific to products manufactured at the time of its publication.
 © Energizer Holdings, Inc. - Contents herein do not constitute a warranty.