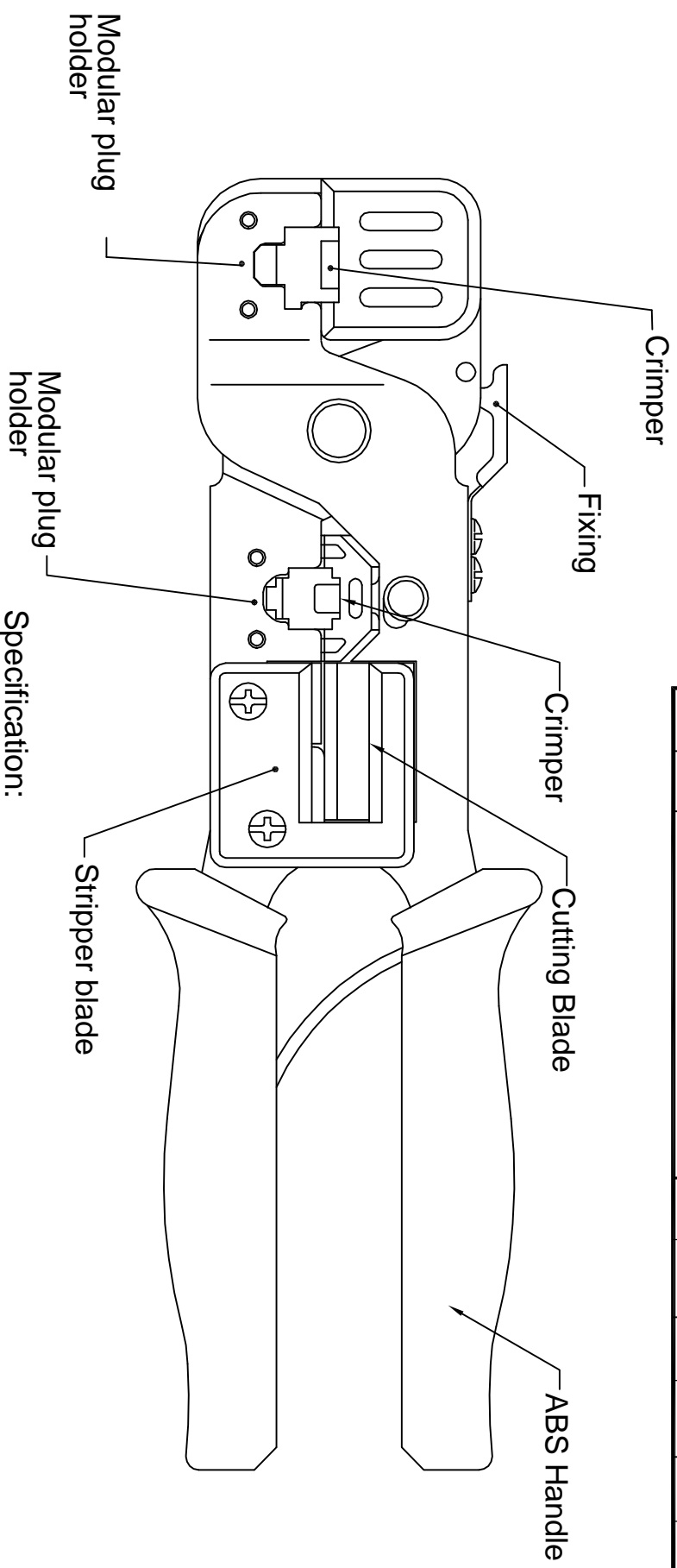


ALL RIGHTS RESERVED. NO PORTION OF THIS PUBLICATION, WHETHER IN WHOLE OR IN PART CAN BE REPRODUCED WITHOUT THE EXPRESS WRITTEN CONSENT OF SPC TECHNOLOGY.

REVISIONS			DOC. NO. SPC-F005 • Effective: 12/21/98 • DCP No: 880					
DCP #	REV	DESCRIPTION	DRAWN	DATE	CHECKD	DATE	APPRVD	DATE
522	A	RELEASED	JWM	10/5/01	JC	10/29/01	DJC	12/28/01



- Specification:
1. For 8 & 6 Positions Telephone Modular Plugs Use
  2. Length: 200MM
  3. Metal: Steel, #S50C on Metal Body
  4. Hardness: HRC 48-53
  5. Frame: Black Oxide Finished

**DISCLAIMER:**  
 ALL STATEMENTS AND TECHNICAL INFORMATION CONTAINED HEREIN ARE BASED UPON INFORMATION AND/OR TESTS WE BELIEVE TO BE ACCURATE AND RELIABLE. SINCE CONDITIONS OF USE ARE BEYOND OUR CONTROL, WE MAKE NO WARRANTY, EXPRESS OR IMPLIED, INCLUDING BUT NOT LIMITED TO MERCHANTABILITY, FITNESS FOR THE INTENDED USE AND ASSUME ALL RISK AND LIABILITY WHATSOEVER IN CONNECTION THEREWITH.

**SPC TECHNOLOGY**

<b>DRAWN BY:</b> Jeff McVicker		<b>DATE:</b> 10/5/01		<b>DRAWING TITLE:</b> Telephone Crimp Tool	
<b>CHECKED BY:</b> JOHN COLE		<b>DATE:</b> 10/29/01		<b>SIZE:</b> A	
<b>APPROVED BY:</b> Daniel Carey		<b>DATE:</b> 12/28/01		<b>DWG. NO.:</b> 2045	
				<b>ELECTRONIC FILE:</b> 92N3783.dwg	
				<b>SCALE:</b> NTS	
				<b>U.O.M.:</b> INCHES [mm]	
				<b>SHEET:</b> 1 OF 1	
				<b>REV:</b> A	