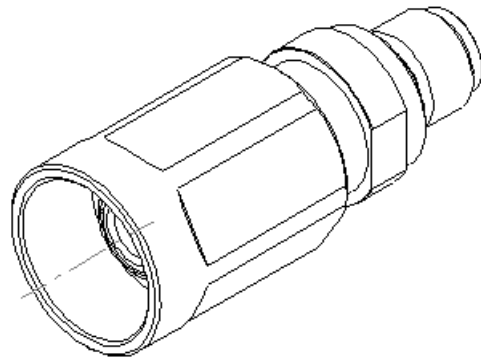
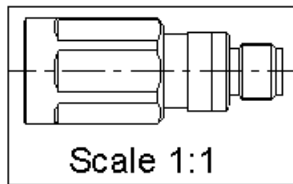
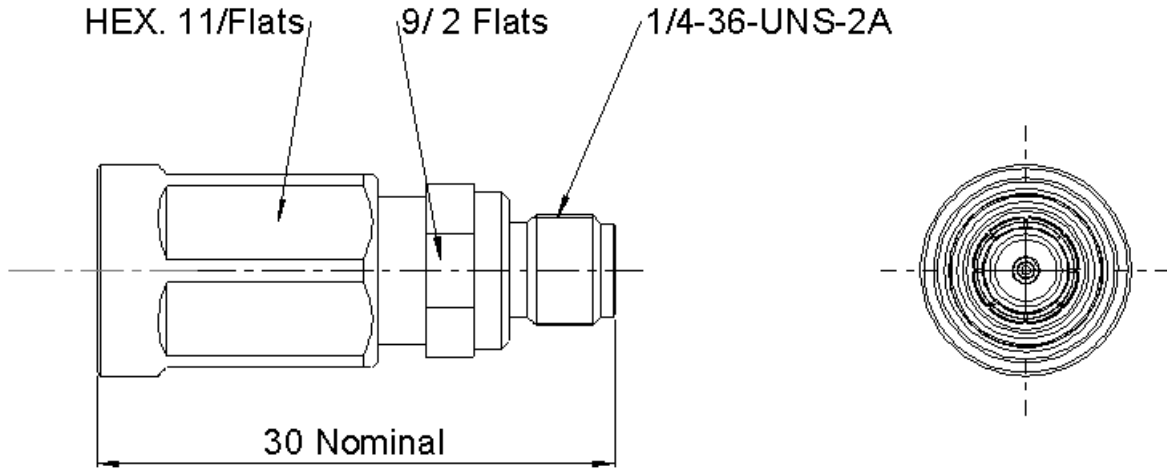


PAGE 1/2	ISSUE 26-05-17A	SERIES ADAPTER	PART NUMBER R191.621.007
----------	-----------------	----------------	--------------------------



All dimensions are in mm.



COMPONENTS	MATERIALS	PLATING (µm)
Body	<b>BRASS</b>	<b>BBR</b>
Center contact	<b>BERYLLIUM COPPER</b>	<b>GOLD OVER NICKLE</b>
Outer contact	<b>BERYLLIUM COPPER</b>	<b>SILVER</b>
Insulator	<b>PTFE</b>	
Gasket	<b>SILICONE RUBBER</b>	
Others parts	<b>BRASS</b>	<b>BBR</b>
-	-	-
-	-	-

PAGE <b>2/2</b>	ISSUE <b>26-05-17A</b>	SERIES <b>ADAPTER</b>	PART NUMBER <b>R191.621.007</b>
-----------------	------------------------	--------------------------	---------------------------------

**PACKAGING**

Standard	Unit	Other
<b>1</b>	<b>Contact us</b>	<b>Contact us</b>

**ELECTRICAL CHARACTERISTICS**

Impedance		<b>50</b>	$\Omega$
Frequency		<b>0-20</b>	GHz
VSWR	* +	<b>0.0000</b>	x F(GHz) Maxi
Insertion loss		<b>**</b>	$\sqrt{F}$ (GHz) dB Maxi
RF leakage	- (	<b>NA</b>	- F(GHz)) dB Maxi
Voltage rating		<b>335</b>	Veff Maxi
Dielectric withstanding voltage		<b>750</b>	Veff mini
Insulation resistance		<b>5000</b>	M $\Omega$ mini

**MECHANICAL CHARACTERISTICS**

Center contact retention			
Axial force – Mating End		<b>NA</b>	N mini
Axial force – Opposite end		<b>NA</b>	N mini
Torque		<b>NA</b>	N.cm mini
Recommended torque			
Mating	<b>NEX10</b> <b>SMA 3.5</b>	<b>NA</b>	N.cm
		<b>NA</b>	N.cm
		<b>NA</b>	N.cm
Panel nut		<b>NA</b>	N.cm
Mating life		<b>100</b>	Cycles mini
Weight		<b>11.996</b>	g

**ENVIRONMENTAL**

Operating	<b>-55~+125</b>	$^{\circ}\text{C}$
Hermetic seal	<b>NA</b>	Atm.cm3/s
Panel leakage	<b>NA</b>	

**SPECIFICATION**

**OTHER CHARACTERISTICS**

\*..0~3GHz VSWR $\leq$ 1.05, 3~6GHz VSWR $\leq$ 1.12  
6-20GHz VSWR $\leq$ 1.17

\*\*..0~6GHz IL $\leq$ 0.12dB, 6-10GHz IL $\leq$ 0.15dB ,  
10-20GHz IL $\leq$ 0.2dB