

# Standard Vertical Top Entry 18-22AWG

00-9296



Vertical poke-home connectors were introduced into the market several years ago to provide a reliable, yet cost effective discrete wire-to-board termination in perpendicular applications. These were designed to bridge the gap between inconsistent and challenging hand soldering of wires and costly 2-piece connector systems in low pin count applications

This latest connector was developed specifically to support 18 to 22AWG solid or stranded wire terminations used in power supply, LED driver and industrial control products where PCB space is limited. This new 9296 connector offers a robust single beam contact which securely captures and retains the wire in a 23% smaller package size over previous versions

## APPLICATIONS

- Replace inconsistent hand soldered perpendicular wire terminations onto PCB's in:
  - Power Supplies
  - LED Drivers
  - Industrial/Motor Controls
- Offer a simple and cost reduced solution to existing 2-Piece connector systems

## FEATURES AND BENEFITS

- Pre-Plated phosphor bronze contact material provides excellent spring performance with high fatigue and corrosion resistance
- The single stamped and formed box contact maximizes board attachment and wire capture strength
- Integral molded in flange provides a generous vacuum pick-up point for automated SMT placement
- UL approved color range to match individual wires for easy and accurate final product assembly

## ELECTRICAL

- Current Rating: See Below
- Voltage Rating: 600 VAC

## ENVIRONMENTAL

- Operating Temperature: -40°C to +130°C

## MECHANICAL

- Insulator Material; Glass-Filled Nylon 46: UL94V0
- Contact Material: Phosphor Bronze
- Plating: Lead-Free Tin Over Nickel
- Durability: 3 Cycles

## HOW TO ORDER

|  |               |                       |  |   |  |
|--|---------------|-----------------------|--|---|--|
| <b>00</b>                                | <b>9296</b>   | <b>001</b>            | <b>603</b>   | <b>X</b>  | <b>06</b>                                |
|  |               |                       |  |   |  |
| <b>Prefix</b><br>Wire to Board Connector | <b>Series</b> | <b>Number of Ways</b> | <b>Wire Gauge Size</b><br>603 = 18-22AWG Solid or Stranded | <b>Insulator Color</b><br>2 = Brown<br>3 = Blue<br>4 = Yellow<br>5 = Red<br>6 = Green<br>7 = Orange<br>8 = Black<br>9 = White | <b>Plating Option</b><br>06 = Tin Plated |

## CURRENT RATING

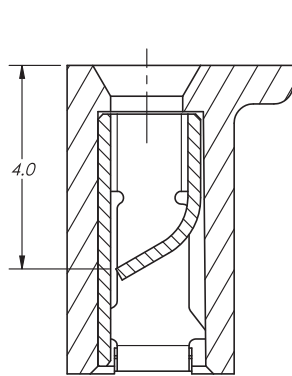
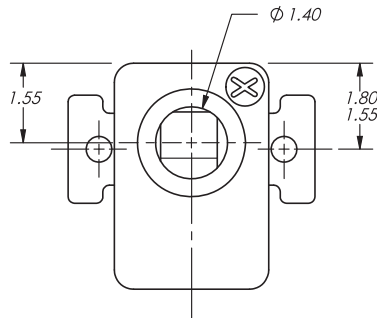
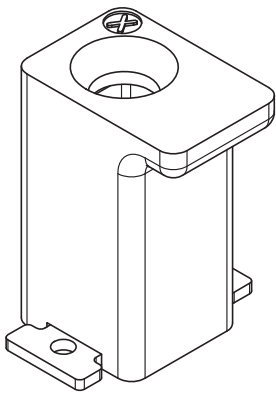
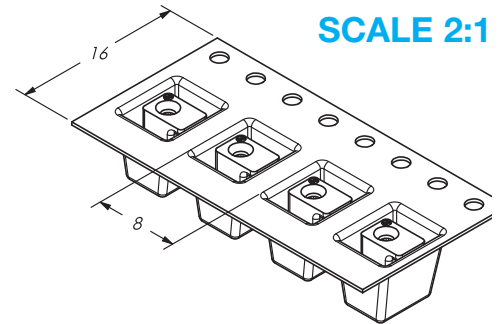
| 18AWG | 20AWG | 22AWG |
|-------|-------|-------|
| 8A    | 7A    | 6A    |

Certification: UL File #E90723

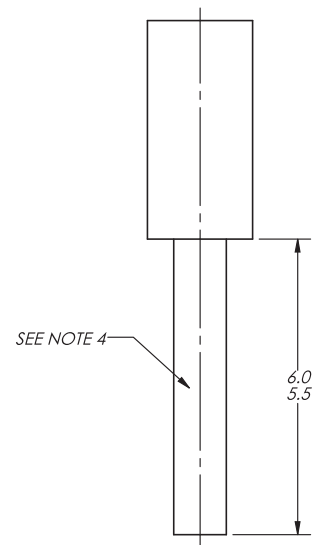
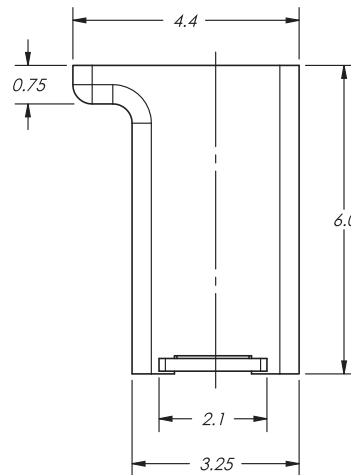
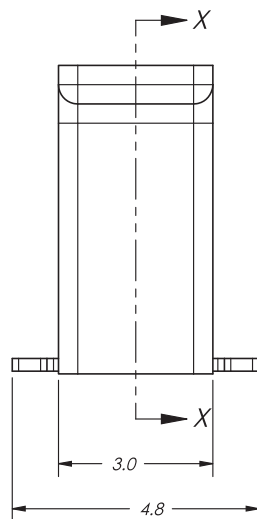
# Standard Vertical Top Entry 18-22AWG

00-9296

## PARTS IN POCKET TAPE SCALE 2:1

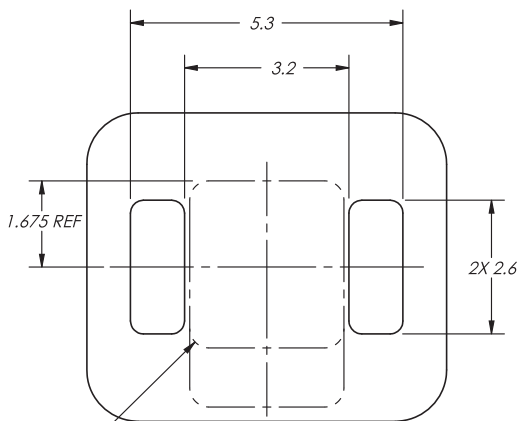


**SECTION ON X-X**



**RECOMMENDED  
WIRE STRIP  
DETAIL**

## RECOMMENDED PCB LAYOUT



CONNECTOR  
FOOTPRINT

### NOTES:

1. HOUSING MATERIAL: GLASS-FILLED, HIGH TEMP. THERMOPLASTIC; UL94V-0; COLOR: SEE PAGE 1.
2. CONTACT MATERIAL: HIGH STRENGTH PHOSPHOR BRONZE ALLOY; PRE-PLATED LEAD-FREE TIN OVER NICKEL PLATING.
3. PACKAGING: POCKET TAPE ON REELS; 1,250 PARTS PER REEL.
4. STRANDED WIRE MUST BE SUFFICIENTLY TWISTED OR TIN DIPPED FOR PROPER INSERTION.