



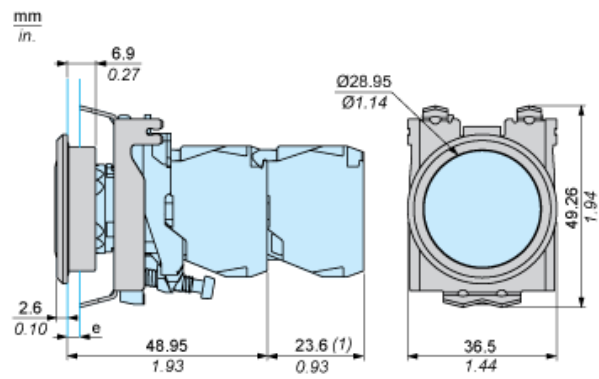
Main

Range of product	Harmony XB4
Product or component type	Flush mounting kit
Accessory / separate part category	Mounting and fixing accessory
Accessory / separate part destination	Pilot light Push-button

Complementary

Product compatibility	ZB4BL ZB4BH flush ZB4BA flush ZB4BV
Surface finish	Chromium plated
IP degree of protection	IP66 front face IEC 60529 IP69 front face IEC 60529 IP69K front face DIN 40050-9
IK degree of protection	IK06 IEC 50102
Mounting diameter	30.5 mm
Quantity per set	Set of 1
Product weight	0.019 kg

Dimensions with Flush Mounting Kit



- e : Clamping thickness : 1.2 to 2.8 mm / 0.05 to 0.11 in.
- (1) Additional row of contacts or double contact

Panel Cut-Out and Mounting

