



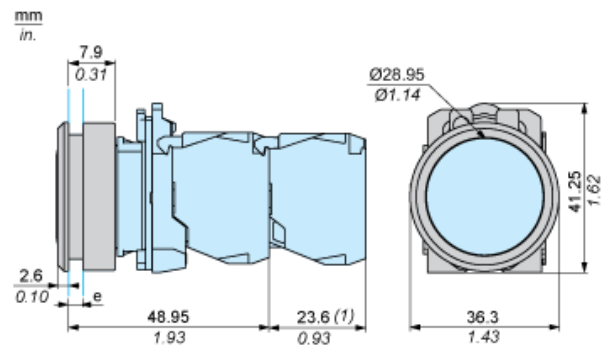
Main

Range of product	Harmony XB5
Product or component type	Flush mounting kit
Accessory / separate part category	Mounting and fixing accessory
Product compatibility	ZB5AA flush XB7NJ ZB5AH flush XB7ND XB7EV XB5EV XB7NL ZB5AV XB7NG ZB5AL XB7NA XB7NW
Accessory / separate part destination	Pilot light Push-button

Complementary

Colour	Black
IP degree of protection	IP66 front face IEC 60529 IP69 front face IEC 60529 IP69K front face DIN 40050-9
IK degree of protection	IK03 IEC 50102
Mounting diameter	30.5 mm
Quantity per set	Set of 1
Product weight	0.006 kg

Dimensions with Flush Mounting Kit



- e : Clamping thickness : 1 to 3.5 mm / 0.04 to 0.14 in.
(1) Additional row of contacts or double contact

Panel Cut-Out and Mounting

