

> em4

Accessories

RS485 Interface, Modbus master / slave

- > Modbus RTU or ASCII RS485 master / slave standard widely used in industry
- > Useful to connect one or several em4 to a programmable touch panel or a SCADA
- > The removable connector allows to unplug em4 without cutting the network
- > Include End Of Line resistor
- > Direct connection with screw terminals without the need external accessories



RS485 interface - Black

Specific characteristics

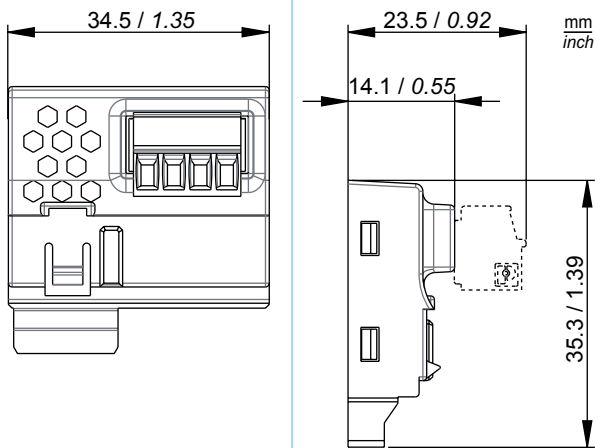
Part number	88 980 123
Finish	Glossy black
Color	Black RAL 9011

General characteristics

Protocol	Master and Slave Modbus
Compatible	Base 24 VDC power supply version
Protection rating (in accordance with IEC/EN 60529)	IP 20
Type	2 wires
transmission mode	RTU 8 bits / ASCII 7 bits
Parity	None, even, odd
Stop bit	1 or 2
Transmission rate	1200, 2400, 4800, 9600, 19200, 28800, 38400, 57600 bauds
Adressing	From 1 to 247
Line Terminaison	included, connectable by wiring
Line Polarization	Without
Compatible connector	Phoenix contact: 1916410 Dinkle: EC350V-04P-BK Framatome connectors: 20020004-C042B01LF (Included with the interface)
Weight	Without packing: 13 g / With packing: 19 g
Dimensions	Without packing: 35 x 36 x 26 mm / 1.38 x 1.42 x 1.02 inch With packing: 80 x 140 x 30 mm / 3.15 x 5.51 x 1.18 inch
Products certifications	CE,cURus
Conformity with the EMC directive (in accordance with 2014/30/EU)	IEC/EN 61000-6-1 (Residential, commercial and light-industrial environments) IEC/EN 61000-6-2 (Industrial) IEC/EN 61000-6-3 (Residential, commercial and light-industrial environments) IEC/EN 61000-6-4 (Industrial)
Operation temperature	-20 (-4 °F) => +60°C (140 °F) (+40°C (104 °F) in a non-ventilated enclosure)
Storage temperature	-40 (-40 °F) => +80°C (176 °F)
Relative humidity	95% max. (no condensation or dripping water)
Maximum utilization altitude	Operation: 2000 m / Transport: 3000 m
Resistance to electrostatic discharge	Immunity to ESD IEC/EN 61000-4-2, level 3
Resistance to HF interference (Immunity)	Immunity to radiated electrostatic fields IEC/EN 61000-4-3, level 3 Immunity to fast transients (burst immunity) IEC/EN 61000-4-4, level 3 Immunity to shock waves IEC/EN 61000-4-5 Radio frequency in common mode IEC/EN 61000-4-6, level 3
Conducted and radiated emissions (in accordance with EN 55022/11 group 1)	Class B

Diagrams

Dimensions



Connections

