

DC Brushless Cooling Fan



Structure and Form

Structure : Axial Motor Fan
Housing : Black PBT UL94V-0
Blade : Black PBT UL94V-0
Bearing : Sleeve
Lead : Leadwires/UL1007 26AWG/L= 150mm

Rated and Operating Condition

Rated Voltage (V DC) : 12V
Rated current (A) : 0.09A \pm 0.02A
Startup Voltage (V DC) : 7V
Rated Input Power (W) : 1.08 W
Operating Voltage (V DC) : 10.2 to 13.8V
Operating Temperature (°C) : -10°C to +70°C
Storage Temperature (°C) : -40°C to +80°C
Speed : 8200 RPM \pm 10% (3 Min)

Standard Environmental Condition

Environment Temperature : 5°C to 35°C
Relative Humidity : 45% to 85%

Air Flow-Air Pressure Characteristic

Applicable Conditions: Shall be applied in the state when the standard, environmental conditions and voltage are fixed.

Item	Conditions	Standard
Max. Air Flow	Air pressure = 0	9.4 CFM
Max. Air Pressure	Air flow = 0	6.66mm H ₂ O

Performance

Applicable Conditions: Shall be applied under the standard environmental condition and rated conditions.

Item	Conditions	Standard
Noise	Shall be measure in around isolated room of background noise 20DB or Less, in a distance of 1m from intake direction	35.03dBa
Insulation Resistance	When test Voltage of DC 250V is impressed between terminal (+) and housing	Min 10m Ω
Dielectrics Withstand Voltage	When voltage of AC 500V is impressed between terminal (+) and housing	Shall be free of abnormality

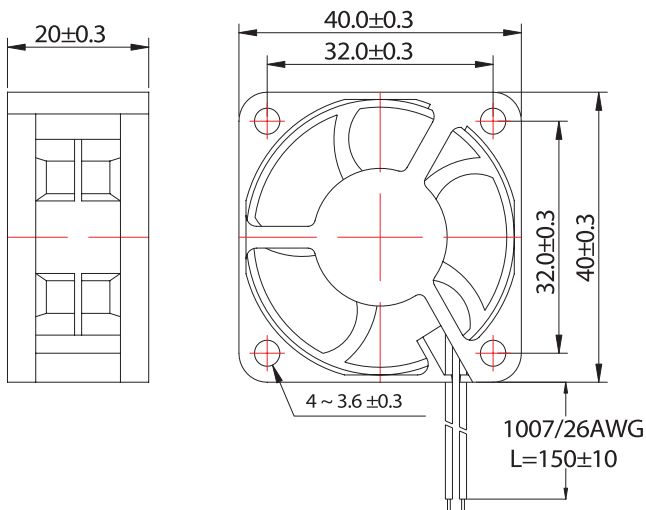
DC Brushless Cooling Fan



Special Test

Item	Conditions	Standard
Vibration Resistance	5-3Hz, 0.04mm peak to peak amplitude, 30-500Hz, 2g peak amplitude, for minutes to all three axis	It shall be satisfy the specified performance standards
Shock Resistance	60g 11 milliseconds (1/2sine), two time to all three axis	It shall be satisfy the specified performance standards
Durability	Expected life endurance time until the revolution drops by 30% from the initial value. When continuously run under standard environmental conditions and rated conditions	30,000 hours up (at 25°C/ relative humidity 45 -85%)
Rotor Resistance	The rotor drive shall be Restricted for 72 hours in the state where condition is made in the range of operating temperature and operating voltage range	It shall be have no damage

Dimensions



Dimensions : Millimetres

Part Number Table

Description	Part Number
DC Cooling Fan, 0.12A/12V DC, Bearing Sleeve	MC002105

Important Notice : This data sheet and its contents (the "Information") belong to the members of the Premier Farnell group of companies (the "Group") or are licensed to it. No licence is granted for the use of it other than for information purposes in connection with the products to which it relates. No licence of any intellectual property rights is granted. The Information is subject to change without notice and replaces all data sheets previously supplied. The Information supplied is believed to be accurate but the Group assumes no responsibility for its accuracy or completeness, any error in or omission from it or for any use made of it. Users of this data sheet should check for themselves the Information and the suitability of the products for their purpose and not make any assumptions based on information included or omitted. Liability for loss or damage resulting from any reliance on the Information or use of it (including liability resulting from negligence or where the Group was aware of the possibility of such loss or damage arising) is excluded. This will not operate to limit or restrict the Group's liability for death or personal injury resulting from its negligence. Multicomp is the registered trademark of the Group. © Premier Farnell Limited 2016.

www.element14.com
www.farnell.com
www.newark.com

