

L-1

Design icon and productivity booster - Now with LED!

LUXO



LED



E27



A prime example of how versatility, quality and stylish design can produce a product of such long-lasting popularity. L-1 is the world's original architect lamp designed in 1937 by Luxo's founder, Jac Jacobsen. Since its creation, 25 million L-1 luminaires have been sold worldwide, and L-1 has been distinguished by many prestigious awards in the world of industrial design. The unique design and flexible spring-balanced arm have earned L-1 a place among the world's all time classics.

L-1 LED

The classic L-1 is now available with a modern LED module. Light emitting diodes have an incredibly long life span. The diodes in L-1 LED have a life expectancy of 50,000 hours. L-1 LED is dimmable and has an automatic shut-off after 4 or 9 hours in order to save energy. That means 25 years or more with normal office use. You may never have to change the light source!

Standard with table clamp. Table base and integrated table mounts available on request. Colours: White, black or silver grey.

Wall version of L-1 LED!

The classic L-1 LED is now available as a wall version. A 20cm arm gives the classic task light a new, decorative use within the office segment.

L-1



L-1 LED



L-1 LED



L-1 LED



L-1



L-1



L-1 LED Wall



L-1 LED Wall



TECHNICAL DESCRIPTION

BODY MATERIAL & COLOUR

Steel arm and aluminium shade. Colours: white, black or aluminium grey.

OPTICS

Symmetric light output. Inner shade painted white for maximum efficiency. L-1 LED has a opalic diffuser for a softer light and to avoid glare.

POWER SUPPLY

Plug-in 20V power supply for LED version.

LIGHT SOURCE

Supplied with 1 x TC-HSE 11 W. L-1 is certified for maximum 11W CFL.

LED 350 lumen out. Correlated colour temperature (CCT) is 3000 K, Colour rendition index (CRI) is 90.

MOUNTING OPTIONS

Standard with table clamp (A-clamp). Table base and integrated table mounts (TT table mount and TE bushing) are available on request.

L-1 LED Wall is delivered with standard wall bracket (WBR).

ARM TECHNOLOGY AND MOVEMENT

Parallel, spring-balanced, three-pivot arm. Arm length is 100 cm. Up-and-down and rotational head movement. NB! Allowing for upward head tilt creates more flexibility but may cause unwanted glare.

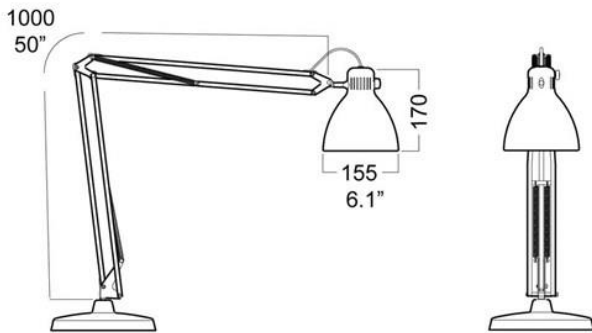
L-1 LED Wall has a 20cm short arm.

TIMER

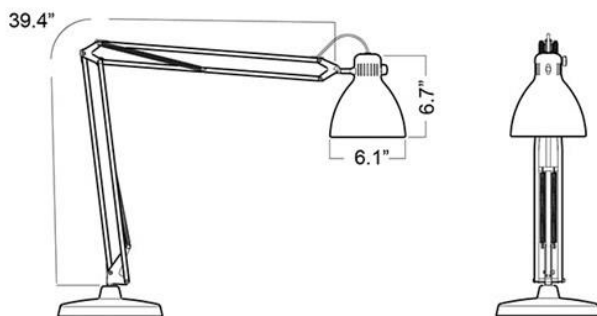
L-1 LED has a timer. The light will automatically shut off after 4 or 9h in order to save energy.

L-1

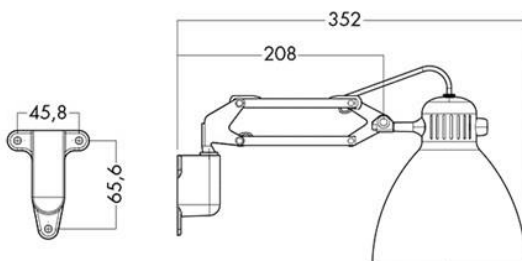
MEASUREMENT DRAWINGS



L-1



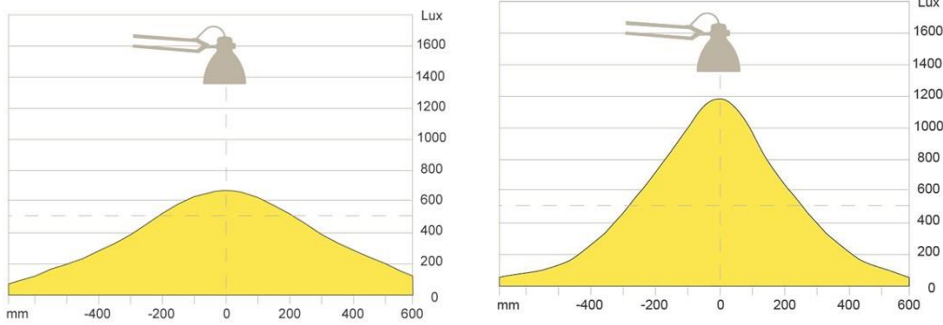
L-1 (USA)



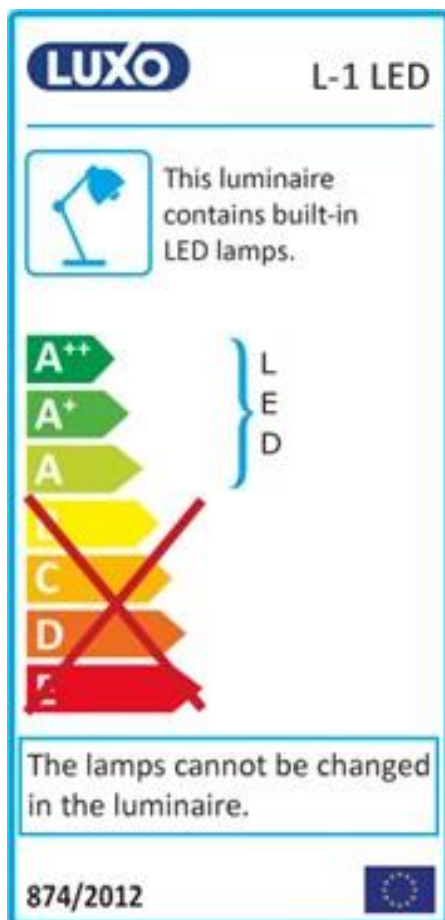
L-1 Wall

L-1

LIGHT MEASUREMENT DRAWINGS



ENERGY LABEL



L-1

GALLERY



L-1



L-1 LED



L-1 LED



L-1 LED Wall



L-1 LED push-button
technology