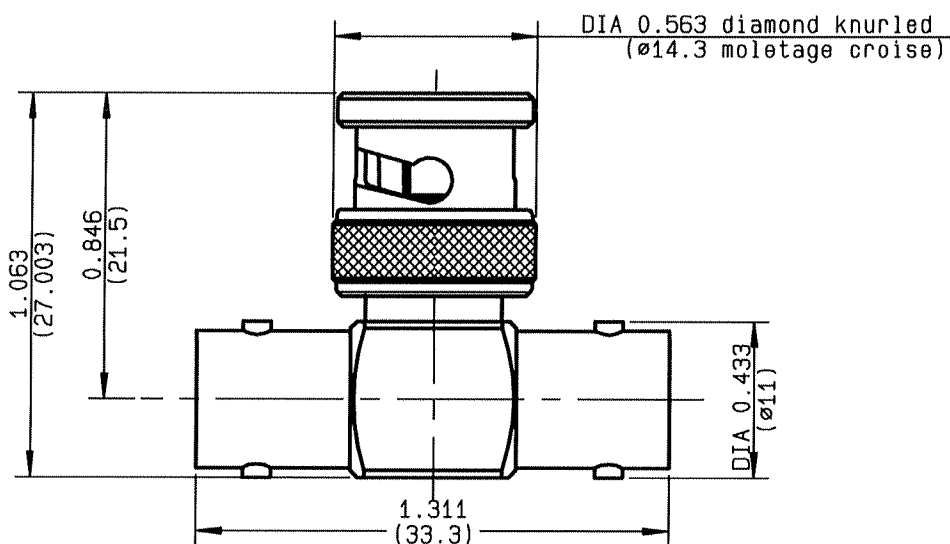


**TE FEMALE-FEMALE/MALE ADAPTOR**

**R141.780.000**

**SERIES**

**BNC**



NOMINAL IMPEDANCE	<b>50</b> $\Omega$	CABLES :	
FREQUENCY RANGE	<b>0-4</b> GHz		
TEMPERATURE RATING	<b>-65/+165</b> °C		
V.S.W.R	<b>NA</b> + x F(GHz)Maxi		
RF INSERTION LOSS	<b>0.175</b> $\sqrt{F}$ (GHz) dB Maxi		
VOLTAGE RATING	<b>500</b> Veff Maxi		
DIELECTRIC WITHSTANDING VOLTAGE	<b>1500</b> Veff Mini		
INSULATION RESISTANCE	<b>5000</b> M $\Omega$ Mini	OTHERS CHARACTERISTICS	
HERMETIC SEAL	<b>NA</b> Atm.cm <sup>3</sup> /s	CABLE RETENTION	<b>NA</b> N Mini
LEAKAGE (pressurized only)	<b>NA</b>	CENTER CONTACT RETENTION	
MECHANICAL DURABILITY	<b>500</b> Cycles	Axial force - mating end	<b>18</b> N Mini
WEIGHT	<b>20</b> gr	Axial force - opposite end	<b>18</b> N Mini
SPECIFICATION		Torque	<b>2.8</b> cm.N Mini
		RECOMMENDED TORQUES	
		Mating	<b>NA</b> cm.N
		Panel nut	<b>NA</b> cm.N
		Clamp nut	<b>NA</b> cm.N

CONNECTOR PARTS	MATERIALS	FINISH	(all values are given in micrometers)
BODY	BRASS	NICKEL 2	
OUTER CONTACT			
CENTER CONTACT	BERYLLIUM COPPER, BRASS	GOLD 0.5 OVER NICKEL 2	
INSULATOR	PTFE	-	
GASKET	SILICONE RUBBER	-	
OTHERS PIECES	BRASS	NICKEL 2	

TRIQUES

ISSUE	CREATION DATE	FILE PART-NUMBER
<b>0438H</b>		



The information given here is subject to change without notice. Design changes may be in order to improve the product.

*Connect to the future*