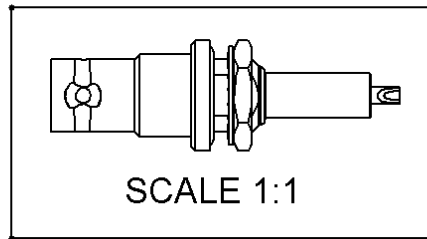
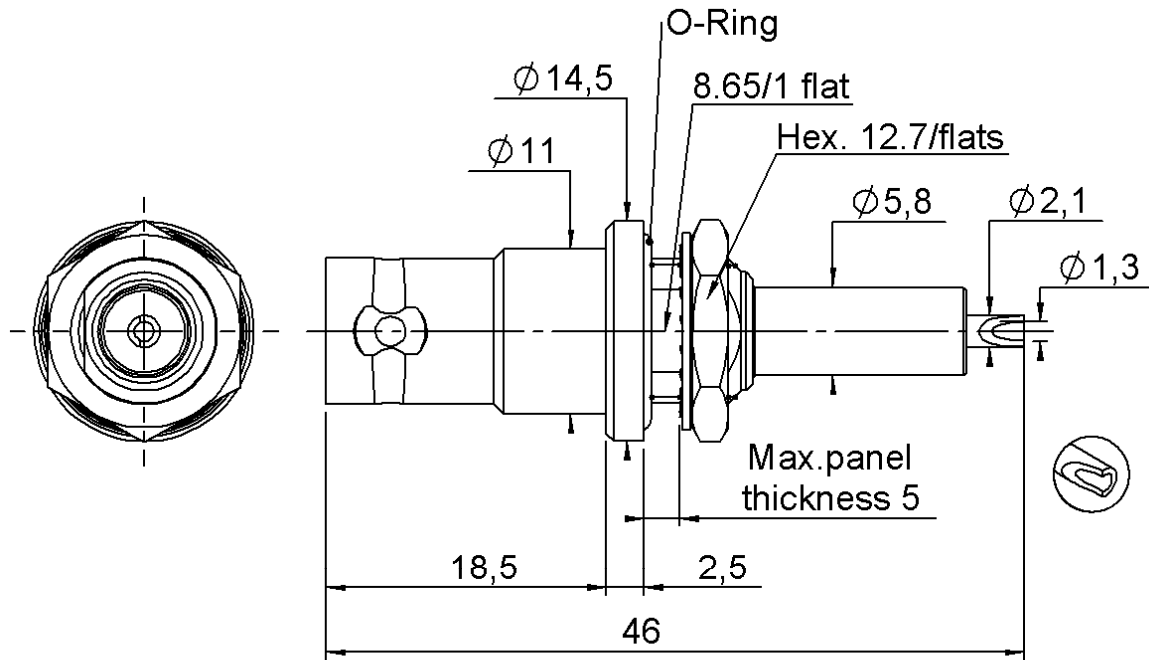


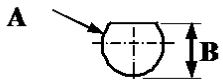
BULKHEAD SEAL RECEPTACLE

R317.580.000

Series : - SHV

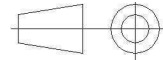
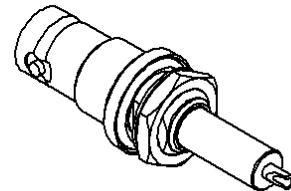


PANEL CUT OUT



mm		
	Maxi	mini
A	9.6	9.5
B	8.9	8.8

All dimensions are in mm.



COMPONENTS	MATERIALS	PLATING (µm)
BODY	BRASS	NICKEL 2
CENTER CONTACT	BRASS	GOLD 0.5 OVER NICKEL 2
OUTER CONTACT	-	-
INSULATOR	PTFE	-
GASKET	SILICONE	-
OTHERS PARTS	BRASS	NICKEL 2
-	-	-
-	-	-

Issue : 1013 H

In the effort to improve our products, we reserve the right to make changes judged to be necessary.



BULKHEAD SEAL RECEPTACLE

R317.580.000

Series : - SHV

PACKAGING

Standard	Unit	Other
100	'W' option	Contact us

SPECIFICATION

ELECTRICAL CHARACTERISTICS

Impedance	50	Ω
Frequency	0-2	GHz
VSWR	1.2 + 0,0000	x F(GHz) Maxi
Insertion loss	TBD	\sqrt{F} (GHz) dB Maxi
RF leakage	- (N.A)	- F(GHz)) dB Maxi
Voltage rating	*	Veff Maxi
Dielectric withstanding voltage	10000	Veff mini
Insulation resistance	5000	M Ω mini

CABLE ASSEMBLY

Stripping	a	b	c	d	e	f
mm	0,00	0,00	0,00	0,00	0,00	0,00

Assembly instruction :

Recommended cable(s)

MECHANICAL CHARACTERISTICS

Center contact retention		
Axial force – Mating end	27	N mini
Axial force – Opposite end	27	N mini
Torque	TBD	N.cm mini

Characteristics indicated on this data sheet are those that can be achieved with the highest performance cable. Intrinsic limitations of the cable may diminish the performance of the assembly

Cable retention

- pull off	N.A	N mini
- torque	N.A	N.cm

TOOLING

Recommended torque		
Mating	N.A	N.cm
Panel nut	TBD	N.cm
Clamp nut	-	N.cm
A/F clamp nut	0,0000	mm

Part Number	Description	Hexagon
.	.	.

OTHER CHARACTERISTICS

Mating life	500	Cycles mini
Weight	20,0000	g

*6000 V eff (DC)

*3500 V rms (AC)

ENVIRONMENTAL

Operating temperature	-65/+125	$^{\circ}$ C
Hermetic seal	N.A	Atm.cm3/s
Panel leakage	N.A	

Issue : 1013 H

In the effort to improve our products, we reserve the right to make changes judged to be necessary.

