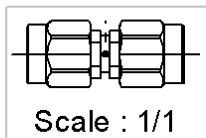
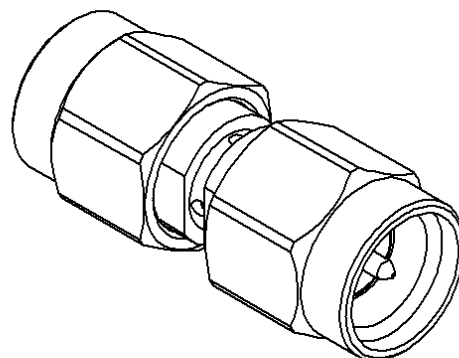
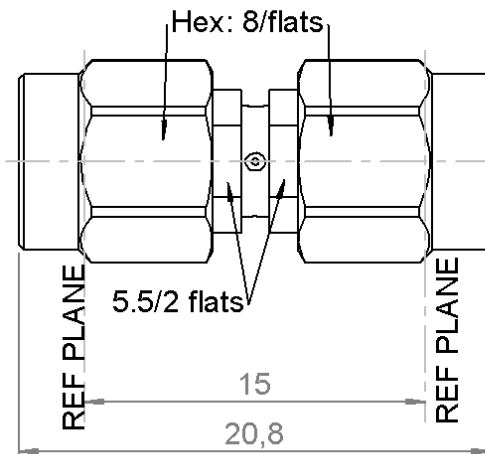
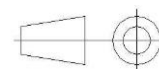


PAGE 1/2	ISSUE 28-02-17C	SERIES SMA	PART NUMBER R125703000
----------	-----------------	------------	------------------------



All dimensions are in mm.



COMPONENTS	MATERIALS	PLATING (µm)
Body	<b>STAINLESS STEEL</b>	<b>GOLD 0.5 OVER NICKEL 2</b>
Center contact	<b>BRASS</b>	<b>GOLD 2.5 OVER NICKEL 2</b>
Outer contact	-	-
Insulator	<b>PTFE</b>	-
Gasket	<b>SILICONE RUBBER</b>	-
Others parts	<b>STAINLESS STEEL</b>	<b>GOLD 0.5 OVER NICKEL 2</b>
-	-	-
-	-	-

PAGE 2/2	ISSUE <b>28-02-17C</b>	SERIES <b>SMA</b>	PART NUMBER <b>R125703000</b>
----------	------------------------	-------------------	-------------------------------

### PACKAGING

Standard	Unit	Other
<b>100</b>	<b>Contact us</b>	<b>Contact us</b>

### ELECTRICAL CHARACTERISTICS

Impedance		<b>50</b>	Ω
Frequency		<b>0-18</b>	GHz
VSWR	<b>1.20</b>	<b>+</b>	<b>0,0000</b> x F(GHz) Maxi
Insertion loss		<b>0.05</b>	√F(GHz) dB Maxi
RF leakage	- (	<b>100</b>	- F(GHz) dB Maxi
Voltage rating		<b>500</b>	Veff Maxi
Dielectric withstanding voltage		<b>1000</b>	Veff mini
Insulation resistance		<b>5000</b>	MΩ mini

### ENVIRONMENTAL

Operating temperature	<b>-65/+165</b>	°C
Hermetic seal	<b>NA</b>	Atm.cm3/s
Panel leakage	<b>NA</b>	

### MECHANICAL CHARACTERISTICS

Center contact retention			
Axial force – Mating End		<b>27</b>	N mini
Axial force – Opposite end		<b>27</b>	N mini
Torque		<b>2.8</b>	N.cm mini
Recommended torque			
Mating		<b>90</b>	N.cm
Panel nut		<b>NA</b>	N.cm
Mating life		<b>500</b>	Cycles mini
Weight		<b>4,9000</b>	g

### SPECIFICATION

### OTHER CHARACTERISTICS

Assembly instruction:**NA**

Others:

-