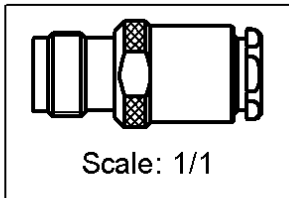
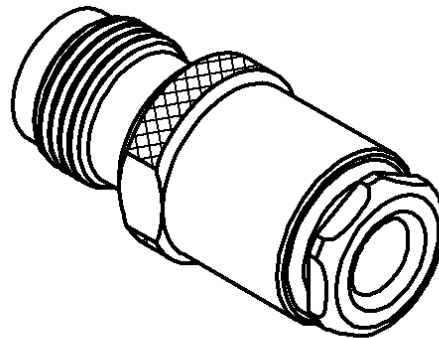
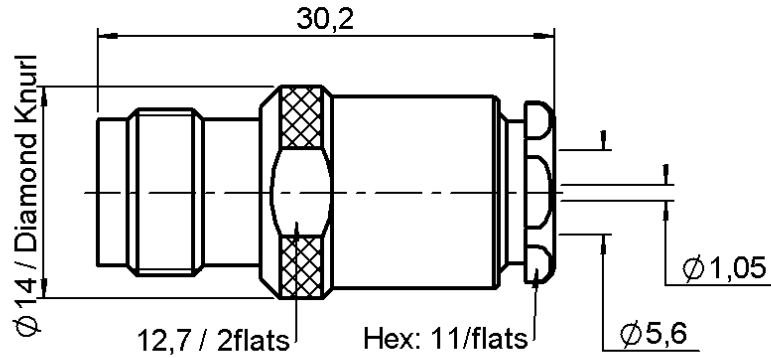


**STRAIGHT JACK CLAMP TYPE**

**R143.207.000**

**CABLE 5/50 S+D**

Series : TNC



All dimensions are in mm.



COMPONENTS	MATERIALS	PLATINGS (µm)
BODY	BRASS	NICKEL 2
CENTER CONTACT	BERYLLIUM COPPER	GOLD 0.5 OVER NICKEL 2
OUTER CONTACT	-	-
INSULATOR	PTFE	-
GASKET	SILICONE RUBBER	-
OTHERS PARTS	BRASS	NICKEL 2
-	-	-
-	-	-

Issue : 1304 L

In the effort to improve our products, we reserve the right to make changes judged to be necessary.



**STRAIGHT JACK CLAMP TYPE**

**R143.207.000**

**CABLE 5/50 S+D**

Series : TNC

**PACKAGING**

Standard	Unit	Other
<b>1</b>	-	<b>Contact us</b>

**SPECIFICATION**

**ELECTRICAL CHARACTERISTICS**

Impedance		<b>50</b>	$\Omega$
Frequency		<b>0-11</b>	GHz
VSWR	<b>1.30 +</b>	<b>0,0000</b>	x F(GHz) Maxi
Insertion loss		<b>0.06</b>	$\sqrt{F}$ (GHz) dB Maxi
RF leakage	- (	<b>57</b>	- F(GHz)) dB Maxi
Voltage rating		<b>500</b>	Veff Maxi
Dielectric withstanding voltage		<b>1500</b>	Veff mini
Insulation resistance		<b>5000</b>	M $\Omega$ mini

**CABLE ASSEMBLY**

Stripping	a	b	c	d	e	f
mm	2,50	7,00	0,00	0,00	3,00	0,00

Assembly instruction : **Clamp 02**

Recommended cable(s)

- RG 58
- KX 15
- RG 141
- RG 142
- RG 142 FTX
- KX 23
- RG 400
- RG 223

Cable retention

- pull off **180** N mini
- torque **NA** N.cm

**MECHANICAL CHARACTERISTICS**

Center contact retention			
Axial force – Mating end		<b>NA</b>	N mini
Axial force – Opposite end		<b>NA</b>	N mini
Torque		<b>NA</b>	N.cm mini

**TOOLING**

Part Number	Description	Hexagon
.	.	.

Recommended torque			
Mating		<b>NA</b>	N.cm
Panel nut		<b>NA</b>	N.cm
Clamp nut		<b>450</b>	N.cm
A/F clamp nut		<b>11,0000</b>	mm

**OTHERS CHARACTERISTICS**

Mating life		<b>500</b>	Cycles mini
Weight		<b>18,4890</b>	g

**ENVIRONMENTAL**

Operating temperature		<b>-65/+165</b>	$^{\circ}$ C
Hermetic seal		<b>NA</b>	Atm.cm3/s
Panel leakage		<b>NA</b>	

Issue : 1304 L

In the effort to improve our products, we reserve the right to make changes judged to be necessary.



**RADIALL**®