

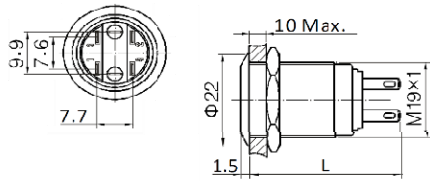


RJS Electronics Limited

RJS101X-19LΔ-F-□-▽-●-▶V-67Q (1NO1NC) | (Momentary / Latching) | (Screw or Tag) | (Flat) | (Ring / Dot) | (IP67)



Φ19mm Panel Cut Out Diameter
 The Front Shape (■): Flat
 Terminal (◆): Screw or Tag
 Operation type (Δ): Momentary / Latching
 Illumination (□): Ring / Dot
 LED Colour (▽): **R G Y O B W**
 Surface Finish (●): Brushed Steel (304) / Zn-Al Alloy (Black)
 Circuit Configuration (★): 1NO1NC
 Max. Switch Rating: 5A / DC 250V
 IP Rating: IP67



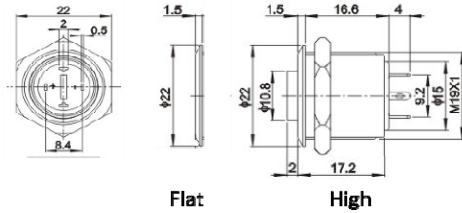
L: Momentary is 35;
 Latching is 43.

IK Rating: IK10

RJS1N1-19L-■-R-▽-●-▶V-65Q (1NO) | (Momentary) | (Tag) | (Flat / High) | (Ring) | (IP65)





Φ19mm Panel Cut Out Diameter
 The Front Shape (■): Flat / High
 Terminal (◆): Tag
 Operation type (Δ): Momentary
 Illumination (□): Ring
 LED Colour (▽): **R G Y O B W**
 Surface Finish (●): Brushed Steel (304) / Zn-Al Alloy (Black)
 Circuit Configuration (★): 1NO
 Max. Switch Rating: 3A / DC 250V
 IP Rating: IP65

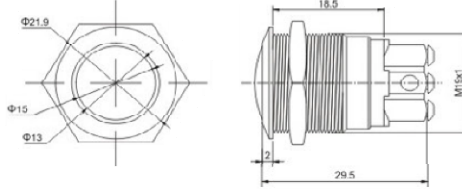


IK Rating: IK08

RJS1N1S-19L-B-R-▽-●-▶V-67J (1NO) | (Momentary) | (Tag) | (Ball) | (Ring) | (IP67)



Φ19mm Panel Cut Out Diameter
 The Front Shape (■): Ball
 Terminal (◆): Tag
 Operation type (Δ): Momentary
 Illumination (□): Ring
 LED Colour (▽): **R G Y O B W**
 Surface Finish (●): Brushed Steel (304) / Zn-Al Alloy (Black)
 Circuit Configuration (★): 1NO
 Max. Switch Rating: 2A / DC 250V
 IP Rating: IP67



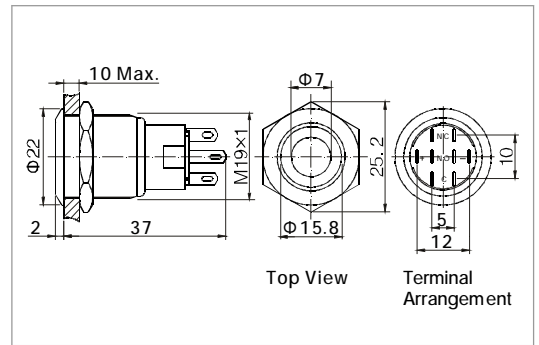
IK Rating: IK09

Specifications	RJS101X-19LΔ-F-□-▽-●-▶V-67Q	RJS1N1-19L-■-R-▽-●-▶V-65Q	RJS1N1S-19L-B-R-▽-●-▶V-67J	
Panel Cut Out Diameter	19mm	19mm	19mm	
Switch Function	Momentary / Latching	Momentary	Momentary	
Circuit	1NO1NC	1NO	1NO	
The Front Shape	Flat	Flat / High	Ball	
Terminal Type	Screw or Tag	Tag	Tag	
Max. Switch Rating	5A / AC 250V	3A / AC 250V	2A / AC 250V	
Contact Resistance	≤50mΩ	≤50mΩ	≤50mΩ	
Insulation Resistance	≥1000mΩ	≥1000mΩ	≥1000mΩ	
Dielectric Intensity	AC 2000V	AC 2000V	--	
Operating Distance	About 2.5mm	About 2.5mm	--	
Operation Pressure	3 ~ 5N	3 ~ 5N	--	
Operating Temperature	-20°C ~ +55°C	-20°C ~ +55°C	-25°C ~ +55°C	
Mechanical Life	500,000 Cycles	500,000 Cycles	1,000,000 Cycles	
Electrical Life	50,000 Cycles	50,000 Cycles	100,000 Cycles	
Panel Thickness	1 ~ 10mm	1 ~ 10mm	--	
Nut Torque	5 ~ 14Nm	5 ~ 14Nm	--	
IP Rating	IP67	IP65	IP67	
IK Rating	IK10	IK08	IK09	
Material	Contact	Silver Alloy	Silver Alloy	
	Button	BS / BLK	BS	
	Body	BS / BLK	BS	
	Base	PA66	PBT	
RoHS	Made to order	Made to order	Made to order	
LED Spec	Type	Ring / Dot	Ring	
	Rated Voltage	3V / 6V / 12V / 24V / 110V / 220V	3V / 6V / 12V / 24V / 110V / 220V	3V / 6V / 12V / 24V / 110V / 220V
	Colour	R G Y O B W	R G Y O B W	R G Y O B W
	Life	40000 Hours	40000 Hours	40000 Hours

Metal dot illuminated push button



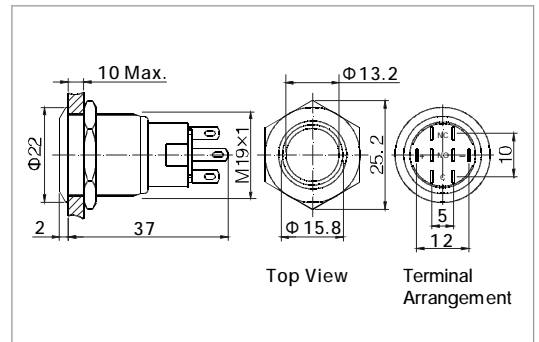
Φ 19mm Diameter
 Switch Rating: 5A/250VAC
 Contact Configuration:
 1NO1NC/2NO2NC
 Operation Type: Momentary/Latching
 The Crust Material: Stainless Steel
 Dot Illuminated
 IP Degree: IP67, IK09



Metal ring illuminated push button



Φ 19mm Diameter
 Switch Rating: 5A/250VAC
 Contact Configuration:
 1NO1NC/2NO2NC
 Operation Type: Momentary/Latching
 The Crust Material: Stainless Steel
 Ring Illuminated
 IP Degree: IP67, IK08



Specification			
The Front Shape	Flat Round	Flat Round	
Terminal Type	Pin Terminal(2.8×0.5mm)	Pin Terminal(2.8×0.5mm)	
Switching	C(single-break fast-motion changeover contact)	C(single-break fast-motion changeover contact)	
Max. Switch Rating	Ith:5A Ui:250VAC	Ith:5A Ui:250VAC	
Contact Resistance	≤ 50mΩ	≤ 50mΩ	
Insulation Resistance	≥ 1000MΩ	≥ 1000MΩ	
Dielectric Intensity	2000VAC	2000VAC	
Operating Temp	-20℃ ~ +55℃	-20℃ ~ +55℃	
Mechanical Life	1,000,000 cycles	1,000,000 cycles	
Electrical Life	50,000 cycles	50,000 cycles	
Panel Thickness	1 ~ 10mm	1 ~ 10mm	
Torque	5 ~ 14Nm	5 ~ 14Nm	
Operation Pressure	3 ~ 5N	3 ~ 5N	
Operation Travel	About 3.1mm	About 3.1mm	
IP Degree	IP67,IK09	IP67,IK08	
Material	Contact	Silver Alloy	Silver Alloy
	Button	Stainless Steel	Stainless Steel
	Body	Stainless Steel	Stainless Steel
	Base	PBT	PBT
	RoHS	Made to order	Made to order
LED	Type	Dot Illuminated(LED)	Ring Illuminated(LED)
	Rated Voltage	6V / 12V / 24V / 110V / 220V	6V / 12V / 24V / 110V / 220V
Spec.	Color	R G Y O B W	R G Y O B W
	Life	40000 hours	40000 hours

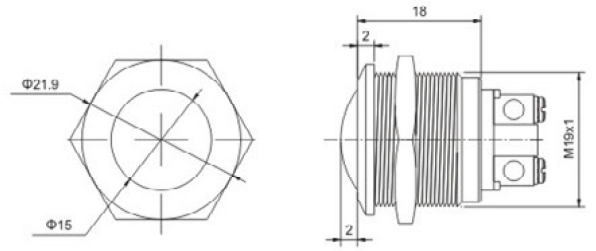
RJS1N1◆-19-■-BS5-67J

(1NO) | (Momentary) | (Screw / Tag) | (Flat / High / Ball) | (IP67)



Φ19mm Panel Cut Out Diameter
 The Front Shape (■): Flat / High / Ball
 Terminal (◆): Screw (S) or Tag (Blank)
 Operation type: Momentary
 Surface Finish: BS5
 Circuit Configuration: 1NO
 Max. Switch Rating: 2A / DC 36V
 IP rating: IP67

IK Rating: IK09



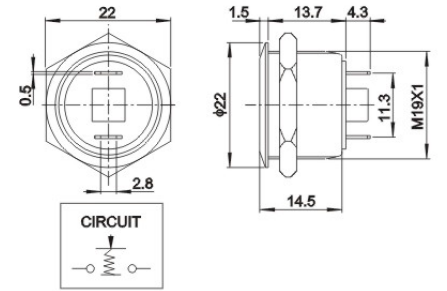
RJS1N5◆-19-■-●-65Q

(Short BODY) (1NO) | (Momentary) | (Screw / Tag) | (Flat / High / Ball) | (IP65)



Φ19mm Panel Cut Out Diameter
 The Front Shape (■): Flat / High / Ball
 Terminal (◆): Screw (S) or Tag (Blank)
 Operation type: Momentary
 Surface Finish (●): NP / BS
 Circuit Configuration: 1NO
 Max. Switch Rating: 2A / DC 36V
 IP rating: IP65

IK Rating: IK09



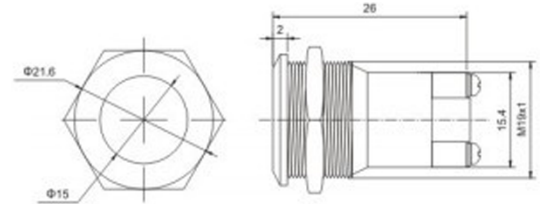
RJS1N1S-19-■-BS6-68J

(1NO) | (Momentary) | (Screw) | (Flat / High / Ball) | (IP68)



Φ19mm Panel Cut Out Diameter
 The Front Shape (■): Flat / High / Ball
 Terminal: Screw
 Operation type: Momentary
 Surface Finish: Brushed Steel (316) BS6
 Circuit Configuration: 1NO
 Max. Switch Rating: 2A / DC 36V
 IP rating: IP68

IK Rating:



Specifications	RJS1N1◆-19-■-BS5-67J	RJS1N5◆-19-■-●-67Q	RJS1N1S-19-■-BS6-68J
Panel Cut Out Diameter	19mm	19mm	19mm
Switch Function	Momentary	Momentary	Momentary
Circuit	1NO	1NO	1NO
The Front Shape	Flat / High / Ball	Flat / High / Ball	Flat / High / Ball
Terminal Type	Screw / Tag Terminals	Screw / Tag Terminals	Screw Terminals
Max. Switch Rating	2A / DC36V	2A / DC36V	2A / DC36V
Contact Resistance	≤50mΩ	≤50mΩ	≤50mΩ
Insulation Resistance	≥1000mΩ	≥1000mΩ	≥1000mΩ
Dielectric Intensity	AC 2000V	AC 2000V	AC 2000V
Operating Distance	--	About 2.0mm	--
Operation Pressure	--	2.5 ~ 4N	--
Operating Temperature	-20°C ~ +55°C	-20°C ~ +55°C	-20°C ~ +55°C
Mechanical Life	1,000,000	500,000	1,000,000
Electrical Life	100,000	50,000	100,000
Panel Thickness	--	1 ~ 10mm	--
Nut Torque	--	5 ~ 14Nm	--
IP Rating	IP67	IP65	IP68
IK Rating	IK09	IK08	--
Material	Contact	Silver Alloy	Silver Alloy
	Button	Brushed Steel (316) BS6	NP / BS
	Body	Brushed Steel (304) BS	NP / BS
	Base	--	PA66
RoHS	Made to order	Made to order	Made to order
LED Spec	Type	Without LED	Without LED
	Rated Voltage	--	--
	Colour	--	--
	Life	--	--