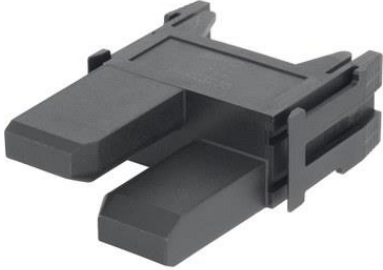




DATA SHEET	44423233
EPIC® MH 0 Z	Valid from: 22.02.2017

Description

- Dummy module as a placeholder for future expansion
- EPIC® MH system is pluggable with the market standars
- “Z” version with centering function for plug in technique
- The mix of different functions in one plug guarantees high flexibility



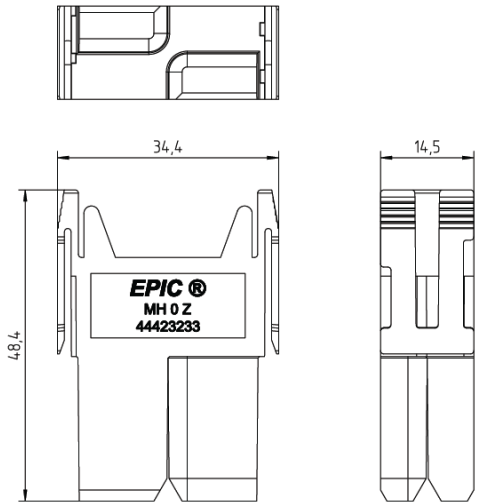
General characteristics

Number of contacts	0
Material	Polyamide, glass fibre-reinforced
Inflammability class acc. with UL 94	V0
Temperatue range	-40° C to +125° C
Suitable frame	Epic® MH 6 multi-frame Epic® MH 10 multi-frame Epic® MH 16 multi-frame Epic® MH 24 multi-frame

Standards/Approvals

Fire protection on railway vehicles	according EN 45545-2 requirement sets R22 and R23 hazard level HL1, HL2 and HL3
-------------------------------------	---

Drawings



Note

Photographs are not to scale and do not represent detailed images of the respective products.

Creator: MANA2/PDP Released: IVSE1/PDP	Document: DB44423233EN Version: 00	Page 1 of 1
---	---------------------------------------	-------------

We reserve all rights according to DIN ISO 16016.