



<b>DATA SHEET</b>	10423300
<b>EPIC<sup>®</sup> ULTRA H-A 3 TG M20</b>	valid from: 04.11.2016

## Description

- EMC protection
- Corrosion-resistant
- Protection rating UL50E tested
- All-purpose due to high corrosion resistance and high environmental protection



## General characteristics

Series	ULTRA H-A 3
Version	Hood M20
Locking mechanism	bolts for single lever
Cable entry	straight
Thread	M20x1,5
Protection rating, IEC	IP 65 (locked)
Protection rating, NEMA 250, UL50E	12, 4, 4X (locked)
Temperature range	-40°C to +100°C, short-term up to +125°C
Holding screws for inserts included	yes

## Materials and surfaces

Housing, base material	zinc die-casting
Housing, surface	nickel-plated
Lever	stainless steel
Holding screws for inserts	stainless steel

## Approvals

VDE-Approval, VDE-REG.-Nr.	B437
----------------------------	------

## Standards

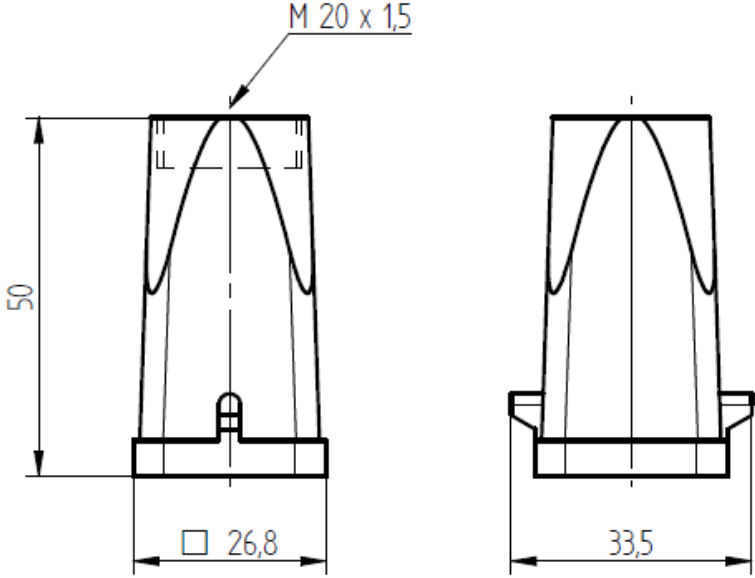
Product standard	IEC 61984
------------------	-----------

Creator: MANA2/PDP Released: IVSE1/PDP	Document: DB10423300EN Version: 00	Page 1 of 2
---	---------------------------------------	-------------

We reserve all rights according to DIN ISO 16016.

<b>DATA SHEET</b>	10423300
<b>EPIC® ULTRA H-A 3 TG M20</b>	valid from: 04.11.2016

**Drawings**



**Remark**

Photographs are not to scale and do not represent detailed images of the respective products.