



DATA SHEET	10423201
EPIC® ULTRA H-A 3 MTS M20	valid from: 04.11.2016

Description

- EMC protection
- Corrosion-resistant
- Protection rating UL50E tested
- All-purpose due to high corrosion resistance and high environmental protection



General characteristics

Series	ULTRA H-A 3
Version	Hood M20
Locking mechanism	bolts for single lever
Cable entry	lateral
Thread	M20x1.5
Protection rating, IEC	IP 65 (locked)
Protection rating, NEMA 250, UL50E	12, 4, 4X (locked)
Temperature range	-40°C to +100°C, short-term up to +125°C
Holding screws for inserts included	yes

Materials and surfaces

Housing, base material	zinc die-casting
Housing, surface	nickel-plated
Lever	stainless steel
Holding screws for inserts	stainless steel

Approvals

VDE-Approval, VDE-REG.-Nr.	B437
----------------------------	------

Standards

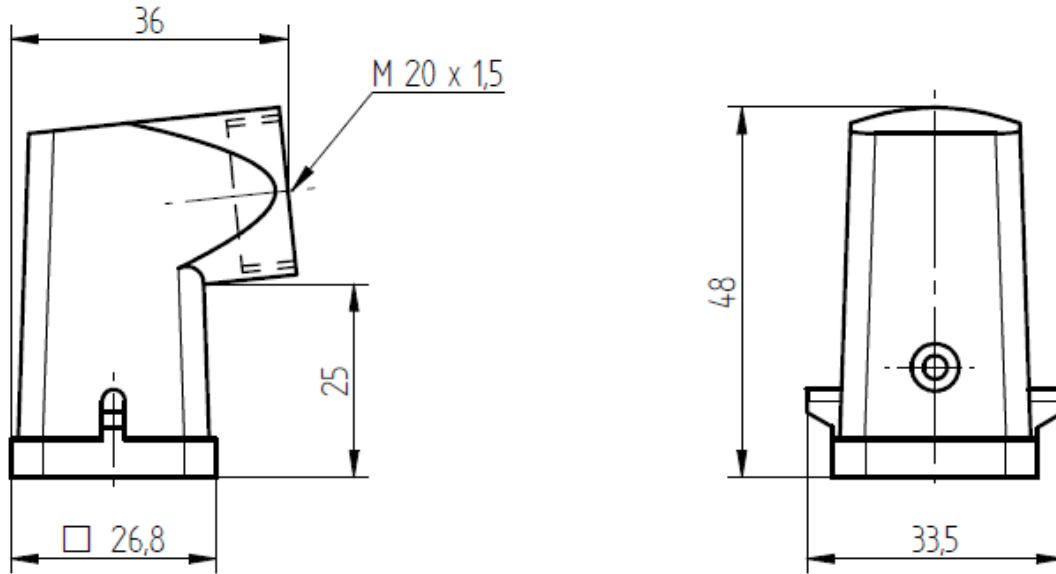
Product standard	IEC 61984
------------------	-----------

Creator: MANA2/PDP Released: IVSE1/PDP	Document: DB10423201EN Version: 00	Page 1 of 2
---	---------------------------------------	-------------

We reserve all rights according to DIN ISO 16016.

DATA SHEET	10423201
EPIC® ULTRA H-A 3 MTS M20	valid from: 04.11.2016

Drawings



Remark

Photographs are not to scale and do not represent detailed images of the respective products.

Creator: MANA2/PDP Released: IVSE1/PDP	Document: DB10423201EN Version: 00	Page 2 of 2
---	---------------------------------------	-------------