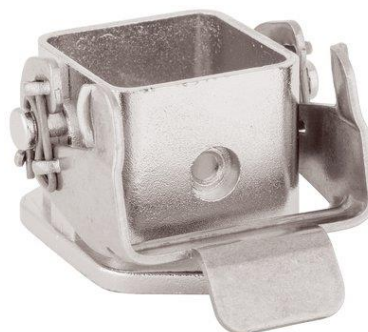




DATA SHEET	10423200
EPIC® ULTRA H-A 3 MAG	valid from: 04.11.2016

Description

- EMC protection
- Corrosion-resistant
- Protection rating UL50E tested
- All-purpose due to high corrosion resistance and high environmental protection



General characteristics

Series	ULTRA H-A 3
Version	Panel-mount base
Locking mechanism	single lever
Protection rating, IEC	IP 65 (locked)
Protection rating, NEMA 250, UL50E	12, 4, 4X (locked)
Temperature range	-40°C to +100°C, short-term up to +125°C
Holding screws for inserts included	yes

Materials and surfaces

Housing, base material	zinc die-casting
Housing, surface	nickel-plated
Lever	stainless steel
Holding screws for inserts	stainless steel
Gasket	NBR

Approvals

VDE-Approval, VDE-REG.-Nr.	B437
----------------------------	------

Standard

Product Standard	IEC 61984
------------------	-----------

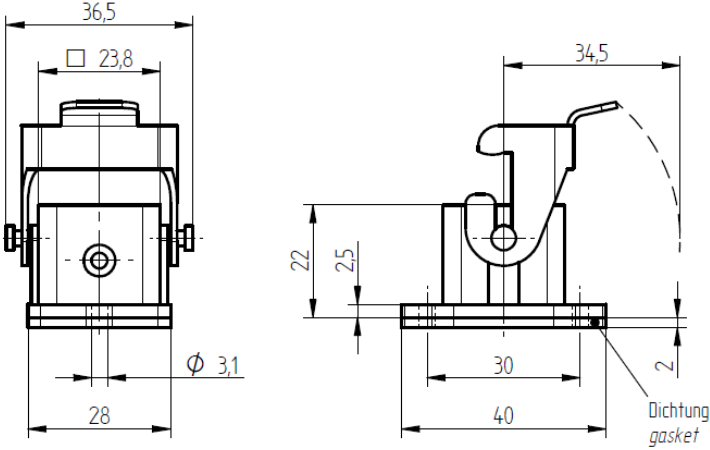
Creator: MANA2/PDP Released: IVSE1/PDP	Document: DB10423200EN Version: 00	Page 1 of 2
---	---------------------------------------	-------------

We reserve all rights according to DIN ISO 16016.



DATA SHEET	10423200
EPIC® ULTRA H-A 3 MAG	valid from: 04.11.2016

Drawings



Remark

Photographs are not to scale and do not represent detailed images of the respective products.

Creator: MANA2/PDP Released: IVSE1/PDP	Document: DB10423200EN Version: 00	Page 2 of 2
---	---------------------------------------	-------------

We reserve all rights according to DIN ISO 16016.