

# EL-SMS-2G-PROBE-G



## Vaccine Temperature Monitor with SMS Alerts

Receive SMS alerts as soon as the temperature triggers an alarm.

- High and low temperature alarm level notifications
- Daily, weekly or monthly summary SMS messages
- Setup using the free EasyLog SMS Apps available from Google Play and the App Store
- -40 to 60°C (-40 to 140°F) measurement range using supplied probe
- Glycol bottle probe mimics vaccine in storage for accurate temperature monitoring.
- Powered by four Alkaline AA batteries



### EasyLog SMS Mobile Apps available from Google Play and the App Store

The EasyLog SMS App can be downloaded for free from Google Play or the App Store, allowing you to manage your EL-SMS devices with ease.

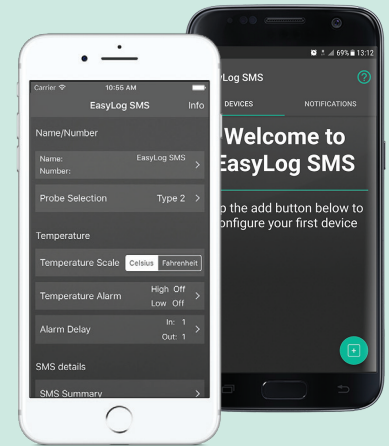


- Animated walkthrough of the setup process
- Easily configure your EL-SMS unit and set temperature alarms
- Receive alarm notifications & regular summary messages
- Historical view of all messages received from your devices

Within the app you can set the temperature alarm levels, set the frequency of summary messages (which contain minimum, maximum, and average readings since the last summary), as well as defining up to three contacts to receive SMS notifications.

Once the options are set the App will guide you through the process of sending a configuration message to the device. Your EL-SMS-2G-PROBE-G is now monitoring - ready to send alarm and summary notifications.

Alarm and summary messages can be sent to any device capable of receiving SMS messages, but the EasyLog SMS App enables you to monitor multiple EL-SMS-2G-PROBE-G devices in one easy package.



### SPECIFICATIONS

<b>Glycol Probe</b> <i>(Supplied)</i>	<b>Measurement range</b>	-40 to 60°C (-40 to 140°F)
	<b>Accuracy</b> (-10 to 60°C / 14 to 140°F)	±0.1°C (±0.2°F)
	<b>Accuracy</b> (-40 to 60°C / -40 to 140°F)	±0.3°C (±0.6°F)
<b>Accuracy</b> (Monitor error)		±0.1°C (±0.2°F)
<b>Internal resolution</b>		0.1°C (0.1°F)
<b>Operating temperature range</b>		-20 to 40°C (-4 to 104°F)
<b>Battery life</b>		1 year (at 25°C and daily summary message)
<b>Dimensions</b>		105 x 105 x 29mm (4.1 x 4.1 x 1.1")
<b>Frequency Band</b>		Quad-Band 2G GSM (850/900/1800/1900MHz)

### INCLUDED IN THE BOX

<b>x4 BAT 1V5 AA</b>	Batteries
<b>EL-PROBEA-3.0M-TP-GLY</b>	Standard glycol probe
<b>M-EL-SMS-WM</b>	Mounting Bracket

### ACCESSORIES

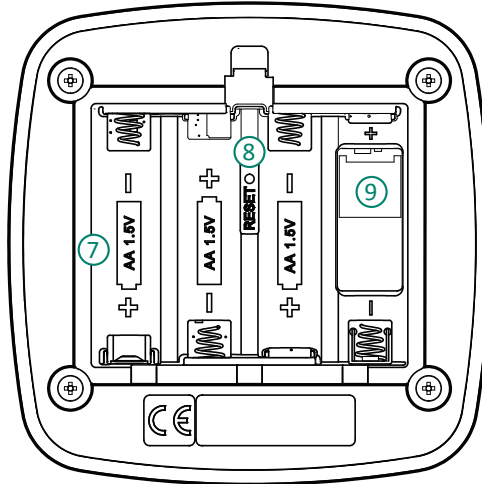
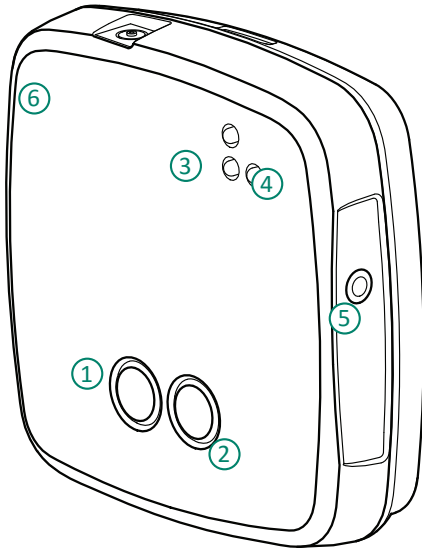
<b>BAT 1V5 AA</b>	Replacement battery (4 required)
<b>EL-PROBEA-3.0M-TP-GLY</b>	Replacement glycol thermistor probe
<b>EL-PROBE-EXTENDER-5.0M-TP</b>	Probe extension (5.0m)
<b>EL-PROBE-EXTENDER-10.0M-TP</b>	Probe extension (10.0m)

# EL-SMS-2G-PROBE-G



## Vaccine Temperature Monitor with SMS Alerts

EL-SMS-2G-PROBE-G



- ① Status button
- ② Stop button
- ③ Status LEDs
- ④ Netlight
- ⑤ External temperature probe port
- ⑥ Sounder
- ⑦ Battery Bay
- ⑧ Reset switch
- ⑨ SIM card holder

The EasyLog SMS User Guide contains complete information on all of the features of your EL-SMS-2G-TP+, which can be found at: [www.lascarelectronics.com/easylog-data-logger-el-sms-2g-tp-probe-g](http://www.lascarelectronics.com/easylog-data-logger-el-sms-2g-tp-probe-g)

### SIM CONTRACT

To use your EL-SMS-2G-PROBE-G you will need to install a pre-registered micro SIM card from a 2G enabled service provider of your choice. It is important that no PIN code is enabled as this will prevent the unit from operating.

Visit [maps.mobileworldlive.com](http://maps.mobileworldlive.com) to check for GSM coverage in your geographic location.

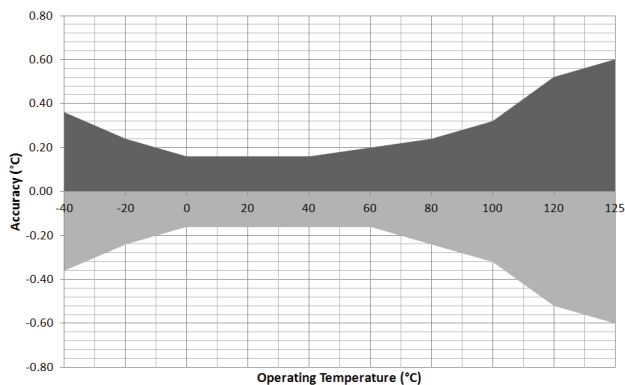
### BATTERY INFORMATION

For reliable operation of the unit it is recommended that only high quality alkaline batteries, such as those supplied, are used.

Please refer to the EasyLog SMS User Guide for more information.

For more information visit [www.lascarelectronics.com/data-loggers](http://www.lascarelectronics.com/data-loggers)

### THERMISTOR PROBE ACCURACY



Supplied 'Glycol' Thermistor Probe  
Part Number: EL-PROBEA-3.0M-TP-GLY