

Crimp Contacts Size 20 for D*A Connectors

Contacts on Reels
(5000 pcs / reel)

Stamped contacts with insulation support are supplied on reels of 5000 for use with semi-automatic strip and crimp machines. Two sizes are available to accommodate wire ranges 20 – 26 AWG.

Pin Contacts



Part Numbers

| AWG 24 - 26 | AWG 20 - 24 |
|--------------|--------------|
| 980-2000-925 | 980-2000-924 |
| 980-2000-946 | 980-2000-945 |

Socket Contacts



Part Numbers

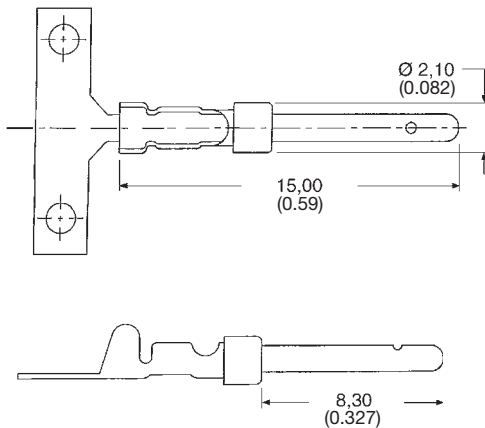
| AWG 24 - 26 | AWG 20 - 24 |
|--------------|--------------|
| 980-2000-926 | 980-2000-923 |
| 980-2000-944 | 980-2000-943 |

Performance

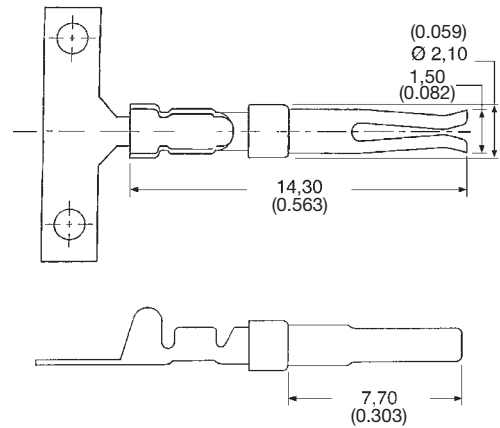
Gold flash over Nickel (Performance class 3)
30 μ in Au/Nickel (Performance class 2)

* Mating Cycles

Pin Contacts



Socket Contacts



Loose Contacts

Stamped contacts with insulation support are supplied loose for use with hand crimp tooling. Two sizes are available to accommodate wire ranges 20 – 26 AWG.

Pin Contacts



Part Number
Pin Contact

| 24-26 AWG | 20-24 AWG |
|--------------|--------------|
| 030-2487-017 | 030-2487-016 |

Socket Contacts



Part Number
Socket Contact

| 24-26 AWG | 20-24 AWG |
|--------------|--------------|
| 030-2488-017 | 030-2488-016 |

| Finish |
|------------------------------|
| 30 μ inches Gold over Nickel |

Crimp Tooling



Hand Crimp Tool

| Description | Part Number |
|----------------------|--------------|
| CCT-D*A-1 | 995-2000-000 |
| CCT-2D*A (Alternate) | 995-2000-075 |

Extraction Tool

| Description | Part Number | Wire Size |
|----------------|--------------|-----------|
| CIET-D*A-20-24 | 980-0008-135 | 20-24 AWG |
| CIET-D*A 24-26 | 980-0008-136 | 24-26 AWG |

