

Schroff

ADVANCEDMC CARRIERS

Cabinets 1

Wall mounted cases 2

Accessories for cabinets and wall mounted cases . 3

Climate control . 4

Electronics cases 5

Subracks/ 19" chassis 6

Front panels, plug-in units ... 7

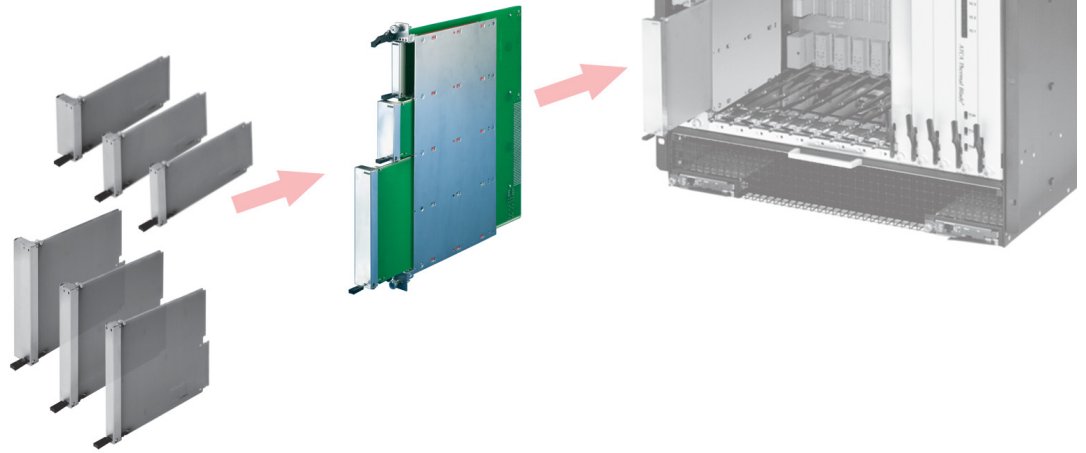
Systems 8

Power supply units 9

Backplanes ... 10

Connectors, front panel component system 11

Appendix 12



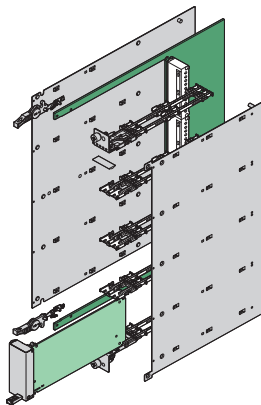
12806028

AdvancedMC carriers

AdvancedMC carriers are plug-in units that are slotted into an AdvancedTCA system. They contain the carrier board that accepts AdvancedMC modules.

Electrical connection to the AdvancedTCA backplane is via connectors. With the fully-assembled AdvancedMC carrier in place, cost-effective additional functions may be integrated into the system.

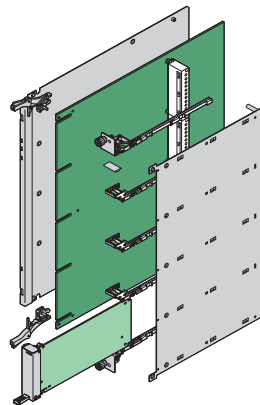
The standard, in accordance with PICMG specification AMC.0 R2.0, defines three different mechanical versions:



12805082

Cutaway carrier

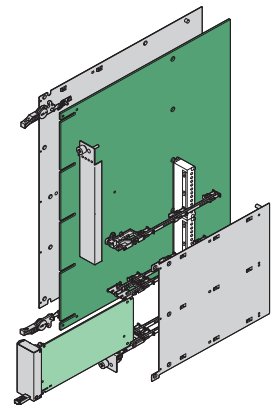
- Carrier board is cut out in the area of the AdvancedMC modules
- Max. placement: 8 single compact or 4 single full-size AdvancedMC modules
- Combinations of full-size and compact modules are possible



12805083

Conventional carrier

- Carrier board runs continuously from front to rear
- Max. placement: 4 single compact or 4 single mid-size AdvancedMC modules



12805081

Hybrid carrier

- Carrier board is a combination of conventional and cutaway carrier
- The maximum placement depends on the carrier board design
- Combinations of all AdvancedMC modules are possible

Systems – AdvancedMC carriers

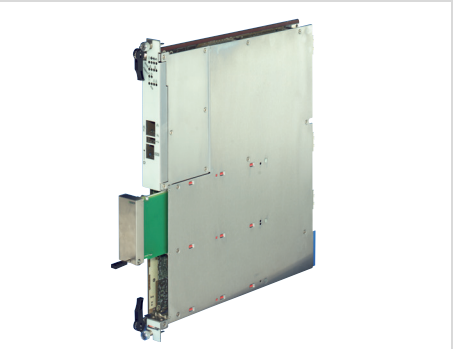
AdvancedMC carriers for AdvancedTCA systems

- Cutaway, conventional and hybrid carrier mechanics for
 - compact AdvancedMC carrier boards
 - Mid-size AdvancedMC carrier boards
 - Full-size AdvancedMC carrier boards
- Standard versions from stock
- Individual carrier/module combination of your choice



AdvancedMC carriers

- 1 slot chassis, 8 U, 6 HP for AdvancedTCA systems
- Inserter/extractor handle for microswitch activation
- Versions
 - **Cutaway carrier** for compact and full-size modules
 - **Conventional carrier** for mid-size and compact modules



Individual solutions on request

- AdvancedMC hybrid carrier
- AdvancedMC hybrid mechanics for rugged AdvancedMC modules (MicroTCA.1)



Cutaway carriers

- For compact and full-size modules
- Complete kits 8.28
- Kit without struts, guide rails 8.29
- Guide rails/struts 8.30
- Microswitches ... 8.31
- Differences between standard and MF handles for AMC carriers . 8.31

Conventional carriers

- For mid-size and compact modules
- Complete kits with AdvancedTCA IEA handle 8.32
- Guide rails/struts 8.33
- Microswitches ... 8.33

ServicePLUS .. 8.34

- ServicePLUS configuration
- Hybrid carrier .. 8.35

ServicePLUS from page 8.34

- e.g. individual configuration and fitting of hybrid carriers)
- e.g. modifications (cut-outs, special colours)
- e.g. custom solutions (special sizes)

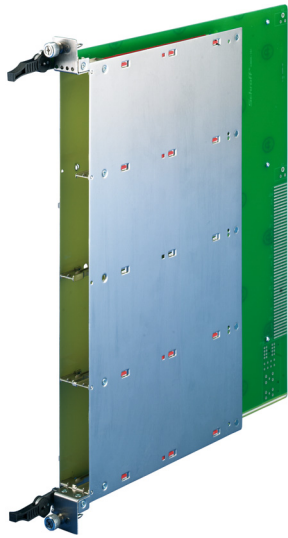
www.schroff.biz/ServicePLUS



30407004

Systems – AdvancedMC cutaway carrier

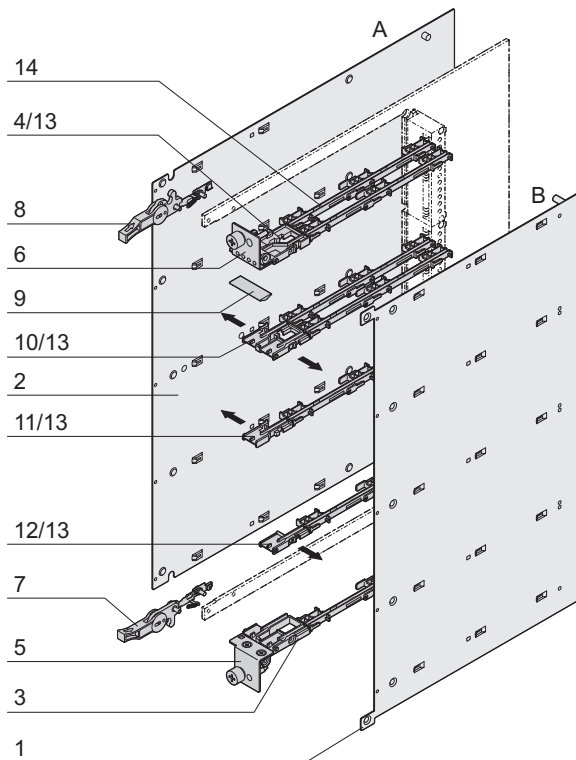
Carrier mechanics for compact and full-size AdvancedMC modules



- Mechanics for cutaway carrier board (carrier **with** 3 different struts, guide rails, ESD clips)
- Stainless steel (EMC shielded)
- Width 1 slot (6 HP), height 8 U, corresponds to PICMG® AMC.0 R2.0
- Inserter/extractor handle, designed for microswitch activation hot-swap)

Delivery comprises (Kit)

Item	Qty	Description
1	1	Cover plate B (right), stainless steel, brushed, 0.6 mm, inner surface electrically insulated, exterior with protective film
2	1	Cover plate A (left), stainless steel, brushed, 0.6 mm, inner surface electrically insulated, exterior with protective film
3	1	Lower splitting extrusion (strut), Zn die-cast, nickel-plated
4	1	Upper splitting extrusion (strut), Zn die-cast, nickel-plated
5	1	Lower front panel, stainless steel, brushed, 1 mm, alignment pin and retention screws pressed in
6	1	Upper front panel, stainless steel, brushed, 1 mm, alignment pin and retention screws pressed in, with holes for LEDs
7	1	Standard inserter/extractor handle, with microswitch operation, plastic lever, black
8	1	Standard inserter/extractor handle, plastic lever, black
9	1	EMC profile seal, core: foam, sleeve: textile cladding with CuNi coating
10	3	Support member between cover A and B
11	3	Support member for cover A (on the left)
12	3	Support member for cover B (on the right)
13	8	ESD clip
14	10	AdvancedMC guide rail, PBT, UL 94 V-0, red
15	1	Assembly kit



12805002

12807086

Order Information

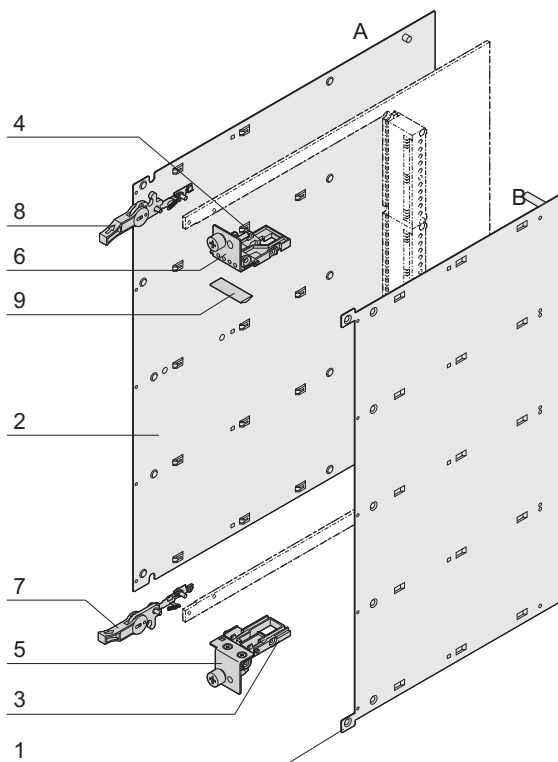
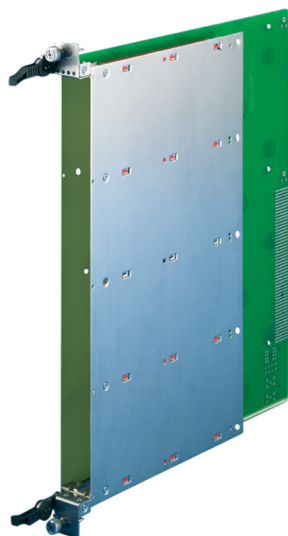
Description	Part no.
Carrier mechanics for AdvancedMC compact and full-size modules with struts, ESD clips and guide rails	10849-001
Accessories	
Microswitch, normally closed, for AdvancedMC carrier (compact and full-size modules) for soldering (SMD), PU 10 pieces	20849-236
Microswitch, normally open, for AdvancedMC carrier (compact and full-size modules) for soldering (SMD), PU 10 pieces	20849-235
Description inserter/extractor handle	Page 8.31
Microswitch description	Page 8.31
AdvancedMC module mechanics	Page 8.56

ServicePLUS see page 8.34



Systems – AdvancedMC cutaway carrier

Carrier mechanics for compact and full-size AdvancedMC modules



- Mechanics for cutaway carrier board (carrier **without** struts, guide rails, ESD clips, for individual placement)
- Stainless steel (EMC shielded)
- Width 1 slot (6 HP), height 8 U, corresponds to PICMG® AMC.0 R2.0
- Inserter/extractor handle, designed for microswitch activation (hot-swap)

Delivery comprises (Kit)

Item	Qty	Description
1	1	Cover plate B (right), stainless steel, brushed, 0.6 mm, inner surface electrically insulated, exterior with protective film
2	1	Cover plate A (left), stainless steel, brushed, 0.6 mm, inner surface electrically insulated, exterior with protective film
3	1	Lower splitting extrusion (strut), Zn die-cast, nickel-plated
4	1	Upper splitting extrusion (strut), Zn die-cast, nickel-plated
5	1	Lower front panel, stainless steel, brushed, 1 mm, alignment pin and retention screws pressed in
6	1	Upper front panel, stainless steel, brushed, 1 mm, alignment pin and retention screws pressed in, with holes for LEDs
7	1	Standard inserter/extractor handle, with microswitch operation, plastic lever, black
8	1	Standard inserter/extractor handle, plastic lever, black
9	1	EMC profile seal, core: foam, sleeve: textile cladding with CuNi coating
10	1	Assembly kit

Order Information

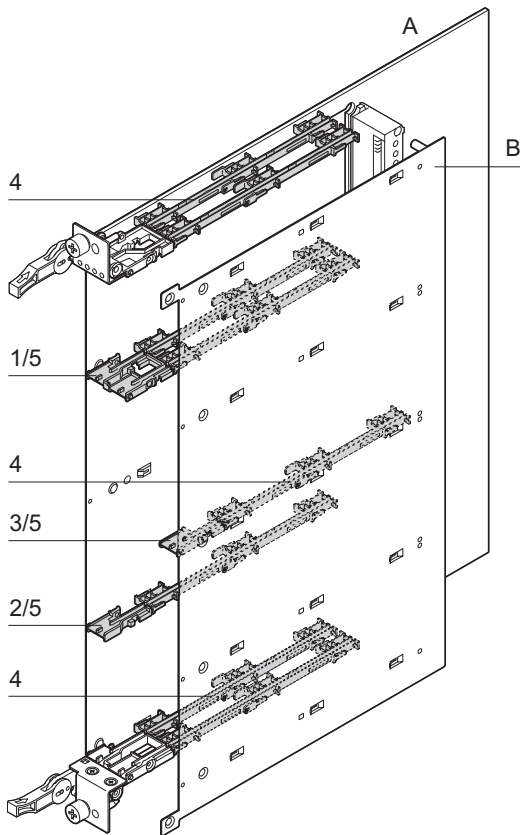
Description	Part no.
Carrier mechanics for AdvancedMC compact and full-size modules without struts, ESD clips and guide rails	10849-002
Accessories	
Microswitch, normally closed, for AdvancedMC carrier (compact and full-size modules) for soldering (SMD), PU 10 pieces	20849-236
Microswitch, normally open, for AdvancedMC carrier (compact and full-size modules) for soldering (SMD), PU 10 pieces	20849-235
Further struts, ESD clips and guide rails	Page 8.30
Description inserter/extractor handle	Page 8.31
Microswitch description	Page 8.31
AdvancedMC module mechanics	Page 8.56



ServicePLUS see page 8.34

Systems – AdvancedMC cutaway carrier

Board guides/struts for AdvancedMC compact and full-size modules



- Struts and guide rails are always required to guide boards
- 3 different struts
 - The strut is assembled between the cover plates A and B
 - The strut is assembled on the left of cover plate A
 - The strut is assembled on the right of cover plate B
- The ESD clip pushes into the strut (one per board guide)
- The guide rails clip into the cover plate

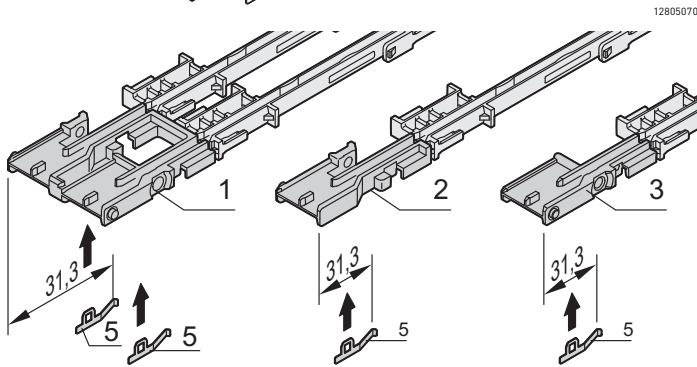
Order Information

Item	Description	Qty/PU	Part no.
1	Strut between cover A (left) and B (right), Zn die-cast, nickel-plated	10	20849-009
2	Splitting extrusion (strut) for cover A (left), Zn die-cast, nickel-plated	10	20849-010
3	Splitting extrusion (strut) for cover B (on the right), Zn die-cast, nickel-plated	10	20849-011
4	AdvancedMC guide rail, PBT, UL 94 V-0, red	10	20849-008
5	ESD clip, stainless spring steel, for deflection of electrostatic charges	50	20849-021

Accessories

Microswitch, normally closed, for AdvancedMC carrier (compact and full-size modules) 20849-236
for soldering (SMD), PU 10 pieces, page 8.31

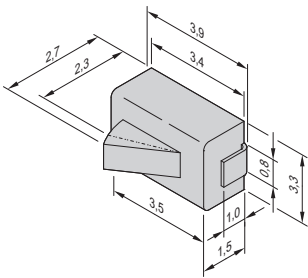
Microswitch, normally open, for AdvancedMC carrier (compact and full-size modules) 20849-235
for soldering (SMD), PU 10 pieces - page 8.31



ServicePLUS see page 8.34

Systems – AdvancedMC cutaway carrier

Microswitch for carrier (compact and full-size AdvancedMC modules)



12807066

■ Microswitch for soldering (SMD)

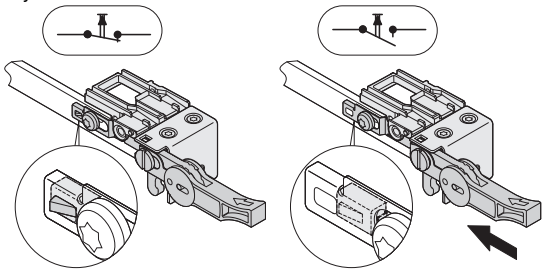
Order Information

Description	Qty/PU	Part no.
Microswitch, normally closed , for AdvancedMC carrier (compact and full-size modules)	10	20849-236
Microswitch, normally open , for AdvancedMC carrier (compact and full-size modules)	10	20849-235

Technical data

Max. switch current	1 mA, 5 V _{DC}
Operating temperature	-15 °C ... +70 °C
Electrical lifespan	10 ⁵ switching cycles

"Normally closed"

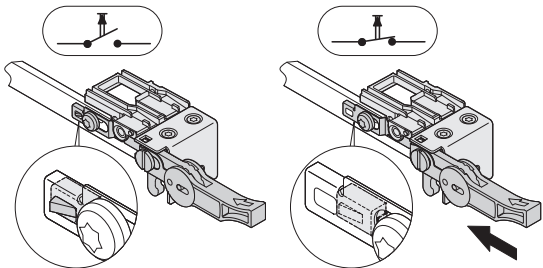


12807081

Handle in inoperative position

Handle activated

Closer



12807082

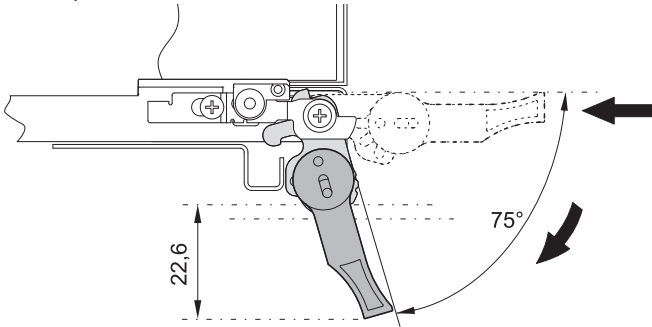
Handle in inoperative position

Handle activated

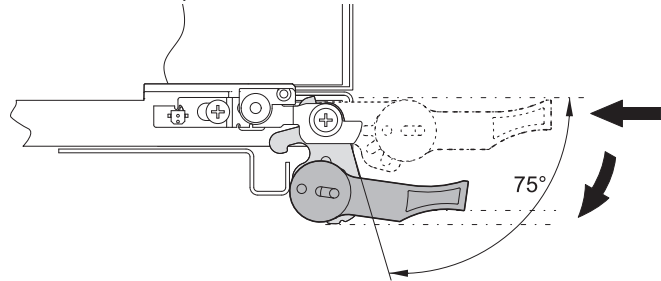
Differences between standard and MF handle for AdvancedMC carrier (compact and full-size modules)

Standard front handle - is included in delivery of carriers for compact and full-size modules

MF handle - can be exchanged by standard handle if needed (available on request)



12806063



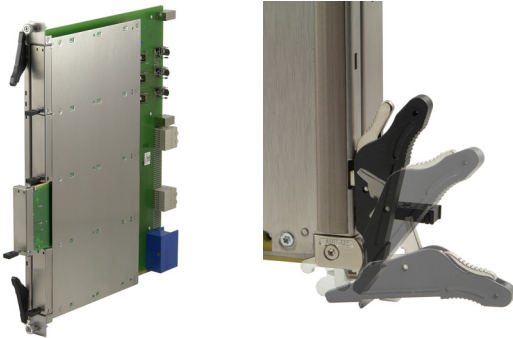
12805072

- Extractor handle 75° opening angle
- Insertion/extraction in one step
- Swing range: 23 mm below and above the pitch line
- Included in delivery of carrier

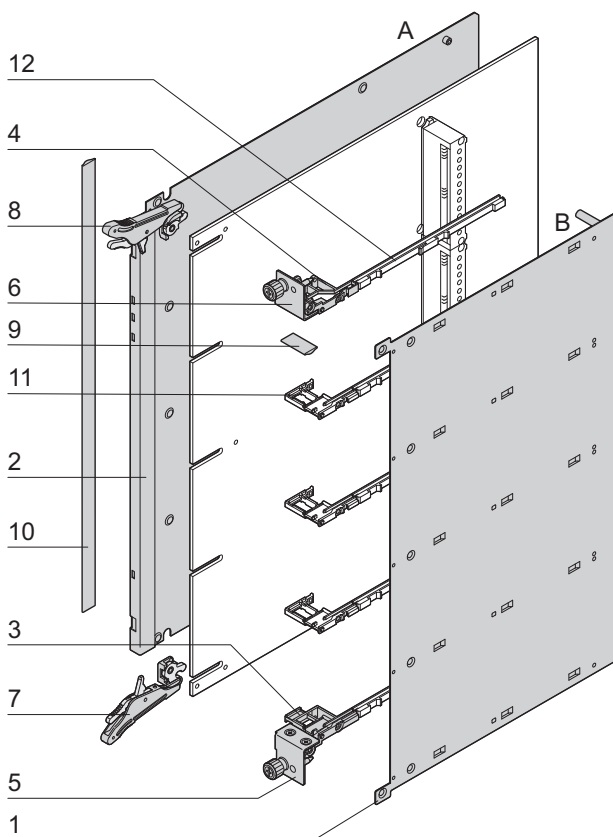
- Extractor handle 75° opening angle
- Insertion/extraction in three steps (2 operations)
- Small swing range (0 mm) below and above the pitch line. The lower respectively upper limit of the carrier is not exceeded during extraction.

Systems – AdvancedMC conventional carrier

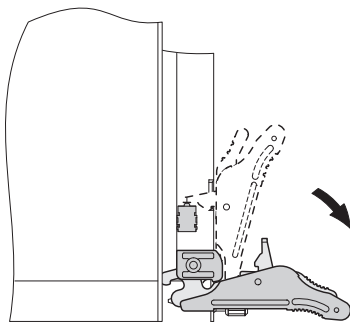
Carrier mechanism for mid-size AdvancedMC modules with AdvancedTCA IEA handle, complete kit



12808001 12808002



12808050



12808051

- Mechanics for conventional carrier, stainless steel (EMC shielded)
- Width 1 slot (6 HP), height 8 U, corresponds to PICMG® AMC.0 R2.0
- AdvancedTCA IEA inserter/extractor handle, designed for microswitch activation (hot-swap)
- Carrier mechanics with struts and guide rails for four modules

Delivery comprises (Kit)

Item	Qty	Description
1	1	Cover plate B (right), stainless steel, brushed, 0.6 mm, inner surface electrically insulated, exterior with protective film
2	1	Cover plate A (left), stainless steel, brushed, 0.6 mm, inner surface electrically insulated, exterior with protective film
3	1	Lower splitting extrusion (strut), Zn die-cast, nickel-plated
4	1	Upper splitting extrusion (strut), Zn die-cast, nickel-plated
5	1	Lower front panel, stainless steel, brushed, 1 mm, alignment pin and retention screws pressed in
6	1	Upper front panel, stainless steel, brushed, 1 mm, alignment pin and retention screws pressed in
7	1	Lower AdvancedTCA IEA inserter/extractor handle, with microswitch activation, plastic lever, black
8	1	AdvancedTCA IEA inserter/extractor handle, top, with microswitch activation, lever plastic, black
9	1	EMC profile seal, core: foam, sleeve: textile cladding with CuNi coating
10	1	EMC profile seal, core: foam, sleeve: textile cladding with CuNi coating
11	3	Splitting extrusion between covers A and B (4 ESD clips)
12	5	AdvancedMC guide rail, PBT, UL 94 V-0, green
13	1	Fixing material kit

Order Information

Description	Part no.
AdvancedMC carrier mechanism for mid-size AdvancedMC modules with AdvancedTCA IEA handle with struts, ESD clips and guide rails	10849-011
Accessories	
Microswitch for carriers (mid-size AdvancedMC modules) normally closed, for soldering (SMD), PU 10 pieces	20817-853
Microswitch for carriers (mid-size AdvancedMC modules) normally open, for soldering (SMD), PU 10 pieces	20817-909
AdvancedMC module mechanics	Page 8.56

Note

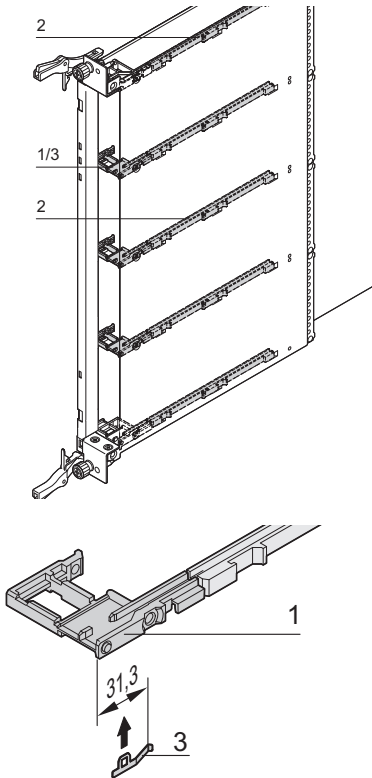
- Carrier with stronger cover plate A (1 mm) on request
- Carrier for compact AdvancedMC modules on request
- Southco type handle kit on request



ServicePLUS see page 8.34

Systems – AdvancedMC conventional carrier

Board guides/struts for AdvancedMC mid-size modules



12806061

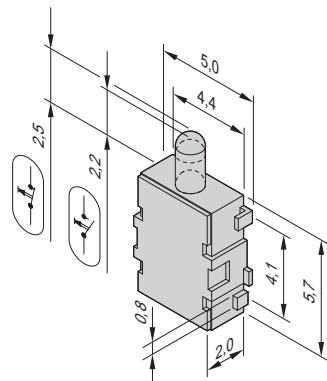
12806062

- Struts and guide rails are always required to guide boards
- Strut is assembled between cover plates A and B
- The ESD clip pushes into the strut (one per board guide)
- The guide rails clip into the cover plate

Order Information

Item	Description	Qty/PU	Part no.
1	Strut between cover A (left) and B (right), Zn die-cast, nickel-plated	10	20849-242
2	AdvancedMC guide rail for mid-size carrier, PBT, UL 94 V-0, green	10	20849-166
3	ESD clip, stainless spring steel, for deflection of electrostatic charges	50	20849-021

Microswitch for carriers (mid-size AdvancedMC modules)



12807071

- Microswitch for soldering (SMD)
- Can be used for all conventional carrier handles

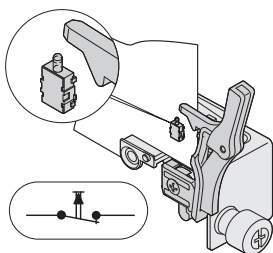
Order Information

Description	Qty/PU	Part no.
Microswitch (normally closed) for carrier (mid-size AdvancedMC modules)	10	20817-853
Microswitch (normally open) for carrier (mid-size AdvancedMC modules)	10	20817-909

Technical data

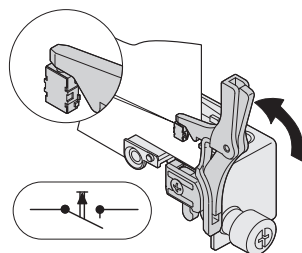
Max. switch current	100 mA, 12 V _{DC}
Operating temperature	-20 °C ... +60 °C
Electrical lifespan	5 x 10 ⁵ switching cycles

Opener



12807079

Closer



12807087

Systems – AdvancedMC carrier ServicePLUS



modification

Small changes. Large impact.

Custom drillings, cut-outs and special colours for off-the-shelf products

- Mechanical modifications
- Ready to send within 10 working days



solution

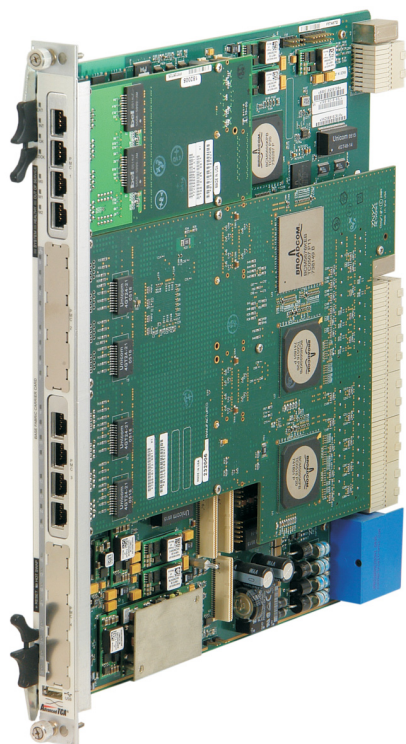
Simple. Fast. From one source.

Integration and custom developments

- Customised complete solutions

Systems – AdvancedMC carrier ServicePLUS

ServicePLUS: solution



12812004

AdvancedMC carrier mechanics

- The carrier board is a combination of conventional and cutaway carriers
- Max. placement depends on the design of the carrier board
- Custom versions on request
 - Single/double combinations
 - Handles
 - AdvancedTCA IEA
 - AdvancedTCA Southco

Appendix – Order notes

Packaging units

A packaging unit (PU) - e.g. carton, bag - contains the stated quantity. If you order the quantity 1, you will automatically receive the quantity defined as PU.

Example: EMC textile gasket
See page 5.22
Part number 21101-853

Quantity (per part number): 10 pieces

Order quantity: Delivery quantity:

1	10 pieces
2	20 pieces
3	30 pieces

Price list

Our price list is available by e-mail from your customer consultant. Please find all contact details at www.schroff.biz/contact.

Always up-to-date

Please visit our website www.schroff.biz where we continuously inform about news and technical changes.

Quick links

Catalogue request: www.schroff.biz/catalogues

Product configurators: www.schroff.biz/conf

Contact details: www.schroff.biz/contact

Product search: www.schroff.biz/oneclick

Front Panel Express: www.frontpanelexpress.eu

VARISTAR: www.varistar.co.uk

Railway technology: www.schroff.co.uk/railway

IT Infrastructure: www.schroff.co.uk/datacom

Standard pack quantity (SPQ)

Please take into consideration that deliveries may be carried out in the stated SPQs (SPQ, e.g. 5 pieces, 10 pieces, 50 pieces, etc.). Differing order quantities (e.g. 2 pieces) may be changed to the next possible delivery quantity = Standard Pack Quantity (in this case 10 pieces).

Example: Front horizontal rail
See page 5.31
Part number 34560-228

Quantity (per part number): 1 piece
Standard pack quantity (SPQ): 10 pieces

Order quantity: Delivery quantity:

≤ 10	10 pieces
> 10 ≤ 20	20 pieces
> 20 ≤ 30	30 pieces

Delivery times

Part numbers in bold face type are ready for despatch within 2 working days; part numbers in normal type are ready for despatch within 10 working days.

Business relations

Schroff is exclusively operating in Business to Business (B2B). Private individuals can buy Schroff products via our sales representatives (see www.schroff.biz/contact).

Responsible for contents and print

Schroff GmbH, Marketing Communication,
D-75334 Straubenhardt, Germany

The data in this catalogue have been thoroughly edited and checked - in assistance with an accredited Quality Management System in accordance with EN ISO 9001:2008.

Faults and spelling mistakes, but mainly changes due to improvements and further developments of our products are subject to change. There is no possibility to claim indemnity/compensation.

Cabinets	Overview.....	1.0	LHX 20/40 Air/water heat exchangers.....	1.224	1
	Varistar Cabinet platform.....	1.2	LHX 3 Air/water heat exchangers.....	1.236	
	Varistar Electronics.....	1.10	Novastar.....	1.240	
	Varistar EMC.....	1.54	Eurorack.....	1.270	
	Varistar Seismic.....	1.84	Outdoor.....	1.316	
	Varistar MIL.....	1.120	Etsirack.....	1.346	
	Varistar Data/network systems.....	1.124	19" lab racks.....	1.354	
	Varistar Containment.....	1.202	PROLINE.....	1.362	
Wall mounted case	Overview.....	2.0			2
	Epcase.....	2.36			
	LAN wall-mounted distributors.....	2.46			
Cabinet and wall-mounted case accessories	Overview.....	3.0	Monitors, keyboards, monitoring.....	3.44	3
	Mechanics.....	3.2	Socket strips.....	3.50	
	Telescopic slides.....	3.24	Power control socket strips.....	3.72	
	Electrical.....	3.29			
Climate control	Overview.....	4.0	Accessories.....	4.58	4
	Cooling concepts/service.....	4.2			
	19" fan trays.....	4.4			
	Air filtered fans.....	4.20			
Desktop enclosures	Overview.....	5.0	Comptec.....	5.100	5
	RatiopacPRO.....	5.6	Accessories.....	5.108	
	PropacPRO.....	5.44	Interscale.....	5.200	
	CompacPRO.....	5.76	Minipac.....	5.230	
Subracks/ 19" chassis	Overview.....	6.0	EuropacPRO industrial applications.....	6.86	6
	EuropacPRO.....	6.2	EuropacPRO Rugged.....	6.92	
	EuropacPRO for railroad applications.....	6.70	MultipacPRO.....	6.112	
			Inpac.....	6.128	
Front panels, Plug-in-units, Frame type plug-in-units	Overview.....	7.0	PCB accessories.....	7.102	7
	Front panels.....	7.2			
	Plug-in units.....	7.16			
	Frame type plug-in units.....	7.64			
Systems	Overview.....	8.0	AdvancedMC modules.....	8.56	8
	AdvancedTCA.....	8.2	CompactPCI, Serial, PlusIO, PSB.....	8.68	
	AdvancedMC carriers.....	8.26	VME, VME64x, VXS, VPX.....	8.88	
	MicroTCA.....	8.36	Accessories.....	8.106	
Power supply systems	Overview.....	9.0	19" accessories.....	9.18	9
	19" AC/DC switched-mode PSUs.....	9.2	PSUs for MicroTCA.....	9.20	
	19" AC/DC linear regulators.....	9.12	PSUs for VMEbus.....	9.22	
	19" AC/DC convertors.....	9.15	PSUs for CompactPCI, VME64x.....	9.24	
Backplanes	Overview.....	10.0	VME64x, VMEbus.....	10.15	10
	CompactPCI, Serial, PlusIO.....	10.4	Power.....	10.18	
	PXI.....	10.11	Universal.....	10.19	
	VXS.....	10.14	Test adaptors.....	10.20	
Connectors, Front panel component systems	Overview.....	11.0			11
	Connectors.....	11.2			
	Front panel component system.....	11.12			
Appendix	Standards abbreviations.....	12.0			12
	Notes on ordering.....	12.10			
	Order number index.....	12.11			
	Product index.....	12.62			