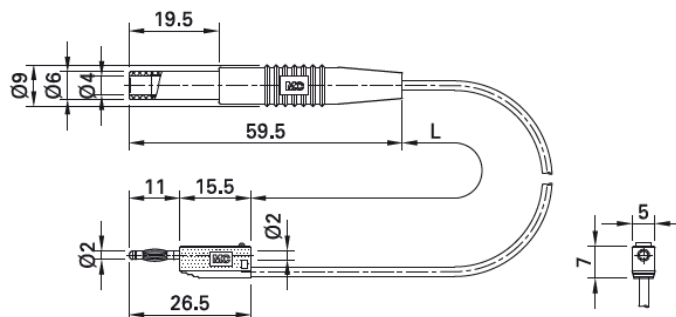
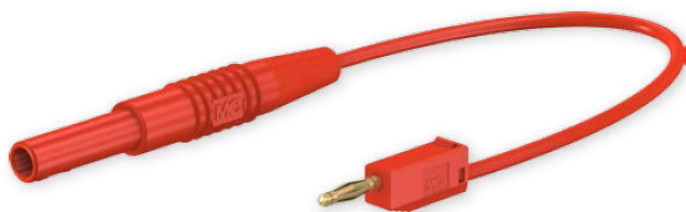


## Adapter Lead AK205/405-BK

Highly flexible. One end with  $\varnothing 2$  mm stackable MULTILAM plug, the other end with

$\varnothing 4$  mm rigid socket with rigid insulating sleeve.



| Order No.    | Type         | Rated voltage/current          | Lead                    |    | Lead length L [cm] | *Colors |
|--------------|--------------|--------------------------------|-------------------------|----|--------------------|---------|
| 28.0012-015* | AK205/405-BK | 30 VAC / 10 A<br>60 VDC / 10 A | PVC 0.5 mm <sup>2</sup> | Au | 015                | 21 22   |