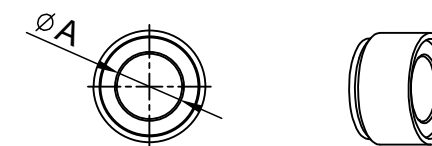
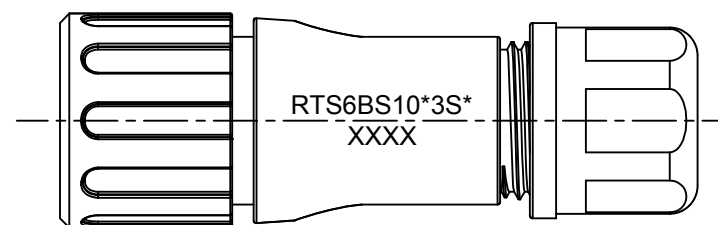
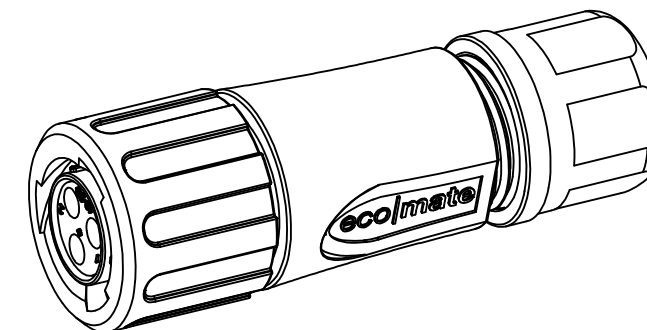
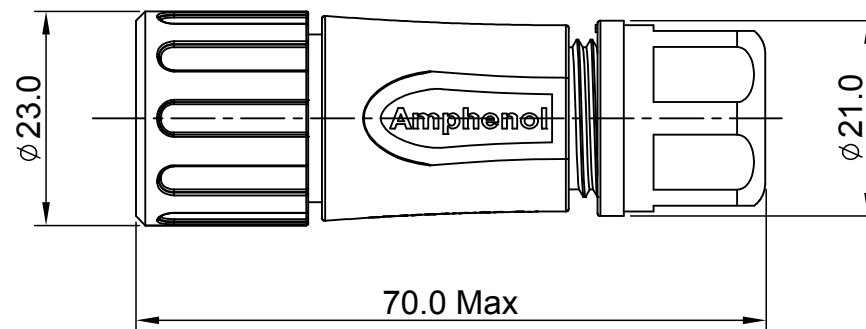
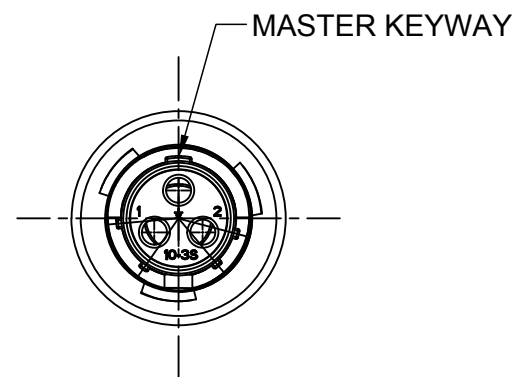


REVISIONS					
REV	ECO	DESCRIPTION	DATE	BY	APPR
A1	--	RELEASED DRAWING	Aug-10-2016	Ben	Tommy
A2	--	UPDATE NOTES	Jun-20-2017	Nick	Tommy



NOTES : (UNLESS OTHERWISE SPECIFIED)

- MATERIAL :
SHELL : THERMOPLASTIC , UL94 V-0.
INSERT : THERMOPLASTIC , UL94 V-0.
COUPLING NUT : THERMOPLASTIC , UL94 V-0.
O-RING : NBR/SILICONE RUBBER.
WASHER : SILICONE RUBBER.
BACK SHELL : THERMOPLASTIC , UL94 V-0.
CLAMP NUT : THERMOPLASTIC , UL94 V-0.
CLAMP RING : THERMOPLASTIC , UL94 V-0.
CABLE RING : EPDM.
- SPECIFICATIONS :
2.1 RATED CURRENT : 13A (MAX).
2.2 RATED VOLTAGE : 500V(AC/DC).
2.3 OPERATING TEMPERATURE : SEE TABLE .
2.4 DIELECTRIC WITHSTANDING VOLTAGE : LESS THAN 2 MILLIAMPS CURRENT LEAKAGE@2000 VOLTS AC.
2.5 INSULATION RESISTANCE : 5000 MEGOHMS MIN.
2.6 IP--CLASS : IP67 AND IP69K.
2.7 MATING CYCLES DURABILITY : 500 CYCLES MIN.
2.8 RoHS COMPLIANT.
- SUITABLE CONTACTS : 16# CONTACT.
- ALL DIMENSIONS ARE FOR REFERENCE USE ONLY.

DIMENSION ϕA	CABLE OD RANGE
7.0MM	4.0-6.5MM
8.8MM	5.0-8.8MM

KEY	PART NUMBER	
	-40°C ~ +105°C	-40°C ~ +125°C
N	RTS6BS10N3S	RTS6BS10N3S03

QUANTITY	PART NUMBER	DESCRIPTION	ITEM												
MATERIALS LIST															
UNLESS OTHERWISE SPECIFIED 1) All dimensions are in metric(mm). 2) Tolerances are as follows: 1 PL DEC ±0.30 Fractions ±1/64 2 PL DEC ±0.15 Angles ±1° 3 PL DEC ±0.08		<table border="1"> <thead> <tr> <th>SIGNATURES</th> <th>DATE</th> </tr> </thead> <tbody> <tr> <td>DRAWN: Nick</td> <td>Jun-20-2017</td> </tr> <tr> <td>CHECKED: Tod</td> <td>Jun-20-2017</td> </tr> <tr> <td>ENGINEER:</td> <td></td> </tr> <tr> <td>APPROVAL: Tommy</td> <td>Jun-20-2017</td> </tr> </tbody> </table>		SIGNATURES	DATE	DRAWN: Nick	Jun-20-2017	CHECKED: Tod	Jun-20-2017	ENGINEER:		APPROVAL: Tommy	Jun-20-2017		
SIGNATURES	DATE														
DRAWN: Nick	Jun-20-2017														
CHECKED: Tod	Jun-20-2017														
ENGINEER:															
APPROVAL: Tommy	Jun-20-2017														
MATERIAL SPECIFICATIONS:		<p style="text-align: center;">Amphenol</p> <p>Sine Systems - www.amphenol-sine.com 44724 Morley Drive Clinton Township, MI 48036</p>													
PROCESS SPECIFICATIONS:		<p>ECO-MATE, PLUG, BACK SHELL, SIZE 10,3POS, SOCKET.</p>													
NEXT ASSY:		<table border="1"> <tr> <td>SIZE</td> <td>TYPE</td> <td>DWG NO:</td> <td>REVISION</td> </tr> <tr> <td>B</td> <td>C-</td> <td>RTS6BS10*3S*</td> <td>A2</td> </tr> <tr> <td colspan="2">SCALE: NONE</td> <td colspan="2">SHEET 1 OF 1</td> </tr> </table>		SIZE	TYPE	DWG NO:	REVISION	B	C-	RTS6BS10*3S*	A2	SCALE: NONE		SHEET 1 OF 1	
SIZE	TYPE	DWG NO:	REVISION												
B	C-	RTS6BS10*3S*	A2												
SCALE: NONE		SHEET 1 OF 1													

TITLE: ECO-MATE, PLUG, BACK SHELL, SIZE 10, 3POS, SOCKET. DWG NO: RTS6BS10*3S* REV: A2 SH: 1 OF: 1