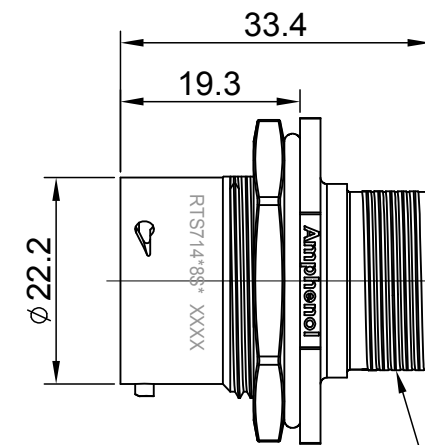
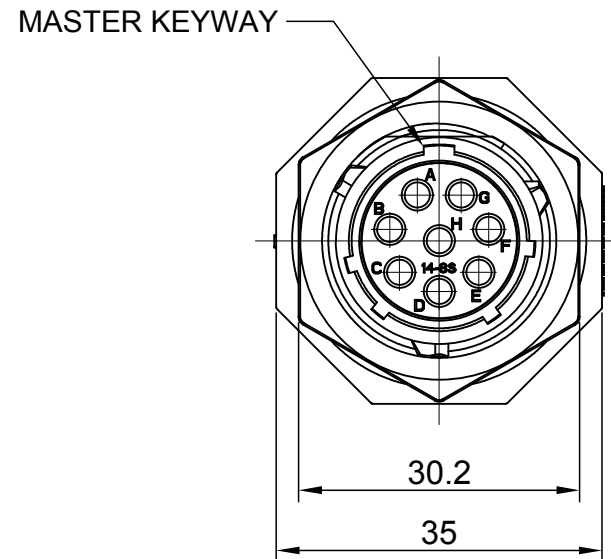
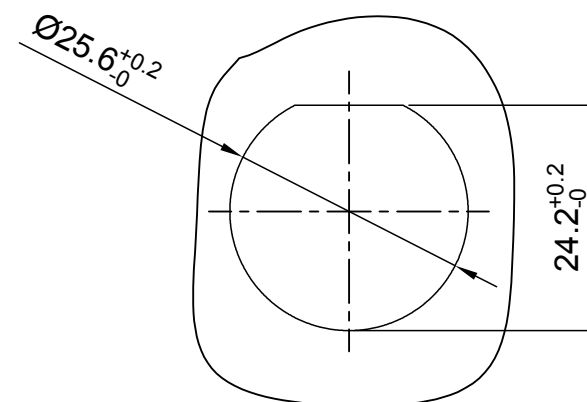
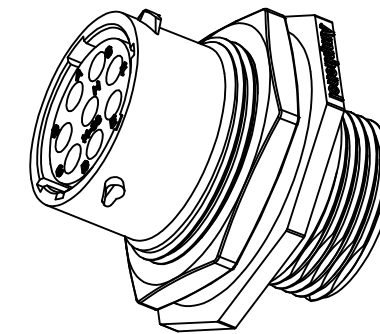


REVISIONS					
REV	ECO	DESCRIPTION	DATE	BY	APPR
A1	--	RELEASED DRAWING	JUN-3-16	JONY	TOMMY
A2	--	UPDATE NOTES	Jun-22-2017	Nick	TOMMY



UNEF 13/16 20 THREAD



PANEL CUTOUT REFERENCE THICKNESS:3.2MM (MAX)

NOTES : (UNLESS OTHERWISE SPECIFIED)

- MATERIAL :  
SHELL : THERMOPLASTIC , UL94 V-0.  
INSERT : THERMOPLASTIC , UL94 V-0.  
O-RING : NBR OR SILICONE RUBBER.  
SEAL GASKET : NBR OR SILICONE RUBBER.  
JAM NUT : ALUMINIUM ALLOY , BLACK ANODIZING.
- SPECIFICATIONS :  
2.1 RATED CURRENT : 13A (MAX).  
2.2 RATED VOLTAGE : 500V(AC/DC).  
2.3 OPERATING TEMPERATURE : SEE TABLE.  
2.4 DIELECTRIC WITHSTANDING VOLTAGE : LESS THAN 2 MILLIAMPS CURRENT LEAKAGE@2000 VOLTS AC.  
2.5 INSULATION RESISTANCE : 5000 MEGOHMS MIN.  
2.6 IP CLASS : IP67 AND IP69K.  
2.7 MATING CYCLES DURABILITY : 500 CYCLES MIN.  
2.8 RoHS COMPLIANT.
- SUITABLE CONTACTS : 16# CONTACT.
- ALL DIMENSIONS ARE FOR REFERENCE USE ONLY.

KEY	PART NUMBER	
	-40°C ~ 105°C	-40°C ~ 125°C
N	RTS714N8S	RTS714N8S03

QUANTITY	PART NUMBER	DESCRIPTION	ITEM												
<b>MATERIALS LIST</b>															
UNLESS OTHERWISE SPECIFIED 1) All dimensions are in metric(mm). 2) Tolerances are as follows: 1 PL DEC ±0.30   Fractions ±1/64 2 PL DEC ±0.15   Angles ±1° 3 PL DEC ±0.08		<table border="1"> <thead> <tr> <th>SIGNATURES</th> <th>DATE</th> </tr> </thead> <tbody> <tr> <td>DRAWN: Nick</td> <td>Jun-22-2017</td> </tr> <tr> <td>CHECKED: Tod</td> <td>Jun-22-2017</td> </tr> <tr> <td>ENGINEER:</td> <td></td> </tr> <tr> <td>APPROVAL: Tommy</td> <td>Jun-22-2017</td> </tr> </tbody> </table>		SIGNATURES	DATE	DRAWN: Nick	Jun-22-2017	CHECKED: Tod	Jun-22-2017	ENGINEER:		APPROVAL: Tommy	Jun-22-2017		
SIGNATURES	DATE														
DRAWN: Nick	Jun-22-2017														
CHECKED: Tod	Jun-22-2017														
ENGINEER:															
APPROVAL: Tommy	Jun-22-2017														
MATERIAL SPECIFICATIONS:		<p style="text-align: center;"><b>Amphenol</b></p> <p style="text-align: center;">Sine Systems - www.amphenol-sine.com 44724 Morley Drive Clinton Township, MI 48036</p>													
PROCESS SPECIFICATIONS:		<p style="text-align: center;">ECO-MATE,RECEPTACLE, JAM NUT, SIZE 14,8POS,SOCKET</p>													
NEXT ASSY:		<table border="1"> <tr> <td>SIZE</td> <td>TYPE</td> <td>DWG NO:</td> <td>REVISION</td> </tr> <tr> <td>B</td> <td>C-</td> <td>RTS714*8S*</td> <td>A2</td> </tr> <tr> <td>SCALE</td> <td colspan="2">NONE</td> <td>SHEET 1 OF 1</td> </tr> </table>		SIZE	TYPE	DWG NO:	REVISION	B	C-	RTS714*8S*	A2	SCALE	NONE		SHEET 1 OF 1
SIZE	TYPE	DWG NO:	REVISION												
B	C-	RTS714*8S*	A2												
SCALE	NONE		SHEET 1 OF 1												

TITLE: ECO-MATE RECEPTACLE, JAM NUT, SIZE 14,8POS, SOCKET  
DWG NO: RTS714\*8S\*  
REV: A2  
SH: 1  
OF: 1