



Electronic Buzzer 119

(provisional technical data sheet)

WERMA Signaltechnik
GmbH + Co.
Dürbheimer Straße 15
D-78604 Rietheim-Weilheim
Phone 0049/7424/9557-0
Fax 0049/7424/9557-44

Technical specifications:

Rated voltage: U_{nenn} = see below
Current consumption: $I_{eff} = \leq 20\text{mA}$
Audio frequency: approx. 2400 Hz
Tone type: Continuous or pulse tone
(Pulsating tone with approx. 1Hz)
Duty cycle: 100 % ED
Working life: >5000 h

Order specifications:

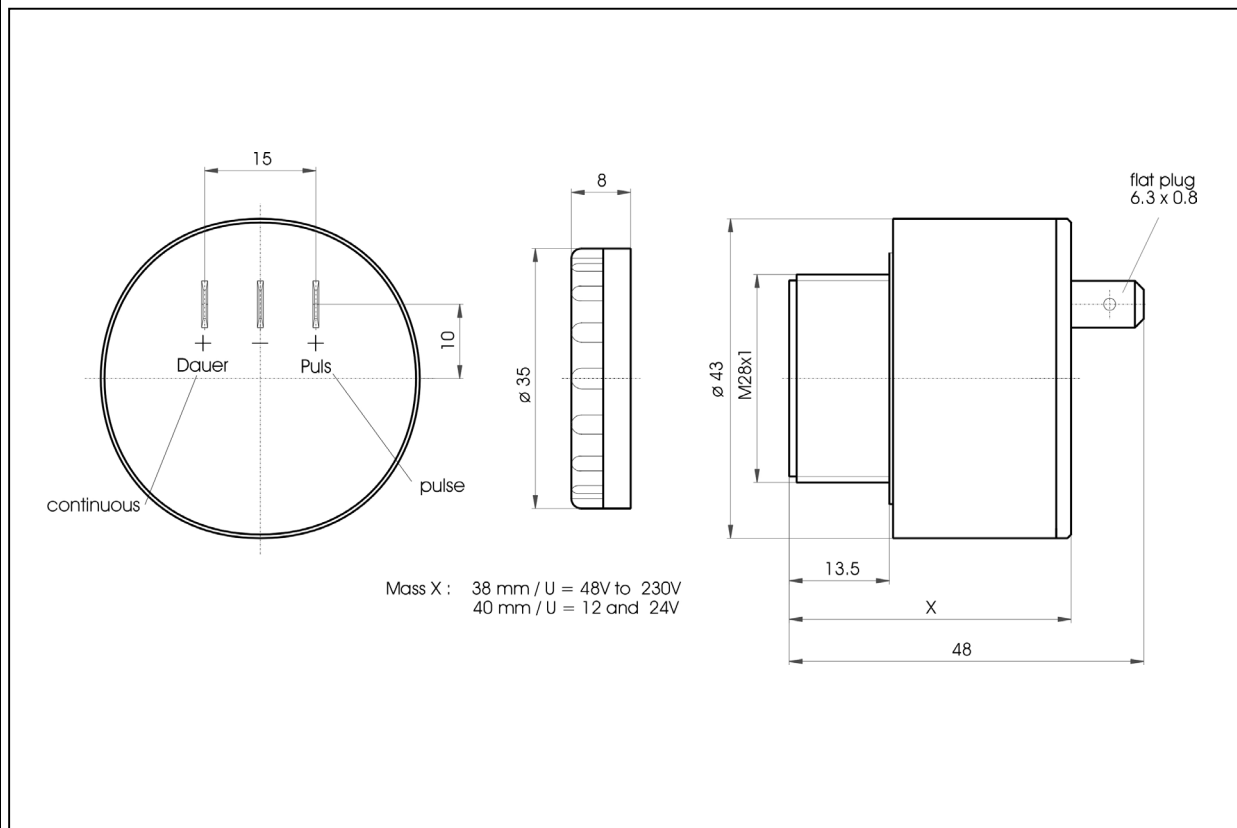
119 068 15 24 V (12-30V) AC/DC
119 068 26 48 V (30-75V) AC/DC
119 068 27 115 V (70-150V) AC/DC
119 068 28 230 V (110-240V) AC

(other voltages on special request)

Further specifications:

Housing material: ABS, grey (ABS/PC-black on special request)
Terminal: 3 x 6.3x0.8 Flat plug
(1x joint mass, 1x pulse tone, 1x continuous tone)
Weight: approx. 50 g
Temperature: -20°C until + 60°C
Sound output: 85 dB(A)±10%/1m
Protection Rating: IP30
IP43 with cap (special part)
Regulations: Conform to current EC-regulations.
UL-listed types on request.

All specifications refer to U_{nenn} and room temperature!



	Drawn up	proved	released	Data-sheet-No.
Name	E. Rudischhauser	S. Rudischhauser	H. Elsäßer	000 119 503
Date	2001-09-20	2001-09-24	2001-09-24	Page 1 of 1