

USB 2.0 Cable Assembly

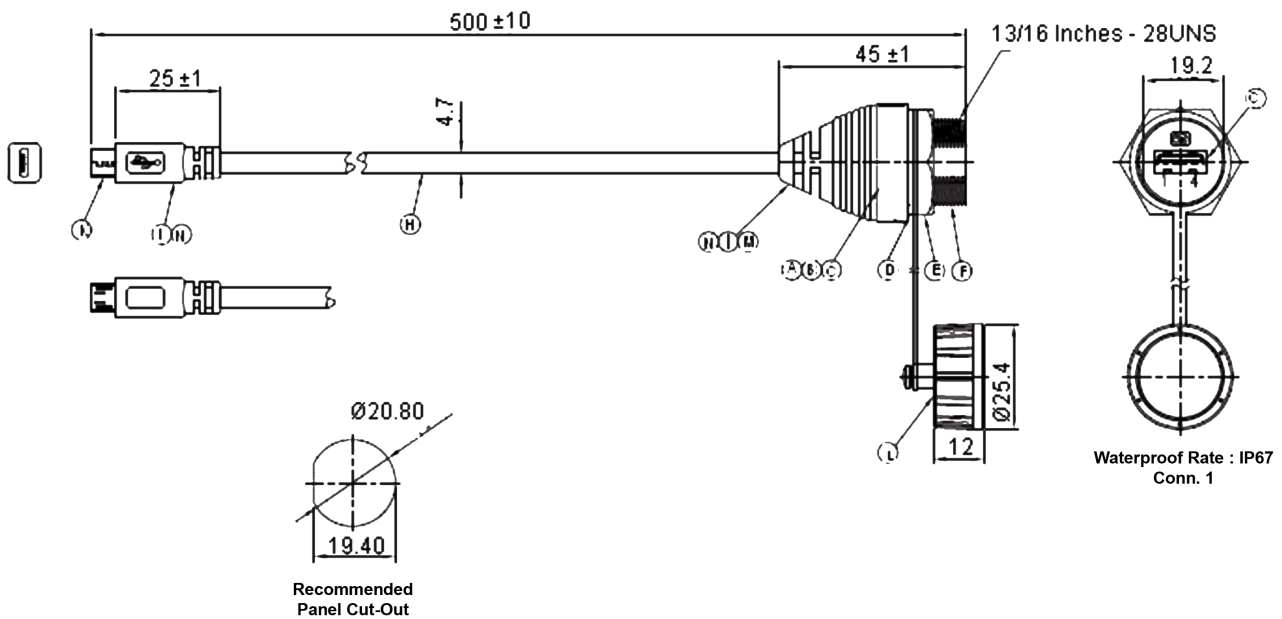
USB Micro USB A Plug To USB Type A Receptacle



Specifications

Waterproof Rate	: IP67
IP67	: Immersed in 1M water for 30 minutes
Rating	: 30V 1A
Max. for Panel Thickness	: 2.5mm
No. of Contacts	: 4

Diagram



Dimensions : Millimetres

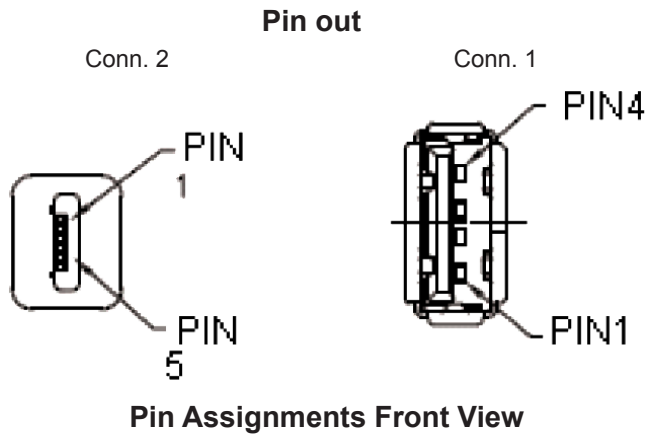
Specifications Table

Item	Description	Material	Plating and Colour
A	PCB	FR-4	Green
B	O-Ring	EPDM	Black
C	Sealing Nut	PPE	
D	Gasket	EPDM	
F	Screw Nut	PPE	
G	Housing		
H	USB A Jack	P/N:2UB1518-000111	White Plastic
I	Cable	28AWG × 1P+24 AWG × 2C+AL+D+B(UV)	Black (PVC Jacket)
J	Over Mold	PVC	Black
K	USB Plug	Micro USB A 5P Plug	Black Plastic
L	Waterproof Cap	P/N:2UB3001-W0000W	N/A
M	Inner Mold	LD-PE	White
N	Heat Shrink Tube	Ø1.0 125°C 300V L:10	Black



USB 2.0 Cable Assembly

USB Micro USB A Plug To USB Type A Receptacle



Shield	Drain	Shield
Conn. 2	Wire Colour	Conn. 1
1	Red (24AWG)	1
2	White (28AWG)	2
3	Green (28AWG)	3
4+5	Black (24AWG)	4

Part Number Table

Description	Part Number
USB Cable, USB Type A Receptacle, Micro USB Type A Plug, 500mm, 19.7", USB 2.0, Black	2UB3001-W05102

Important Notice : This data sheet and its contents (the "Information") belong to the members of the Premier Farnell group of companies (the "Group") or are licensed to it. No licence is granted for the use of it other than for information purposes in connection with the products to which it relates. No licence of any intellectual property rights is granted. The Information is subject to change without notice and replaces all data sheets previously supplied. The Information supplied is believed to be accurate but the Group assumes no responsibility for its accuracy or completeness, any error in or omission from it or for any use made of it. Users of this data sheet should check for themselves the Information and the suitability of the products for their purpose and not make any assumptions based on information included or omitted. Liability for loss or damage resulting from any reliance on the Information or use of it (including liability resulting from negligence or where the Group was aware of the possibility of such loss or damage arising) is excluded. This will not operate to limit or restrict the Group's liability for death or personal injury resulting from its negligence. Multicomp is the registered trademark of the Group. © Premier Farnell Limited 2016.

