

Tous droits strictement réservés. Reproduction ou communication à des tiers interdite sous quelque forme que ce soit sans autorisation écrite du propriétaire. Propriété de ©BERG ELECTRONICS. Droits de reproduction BERG ELECTRONICS INC.



All rights strictly reserved. Reproduction or issue to third parties in any form whatever is not permitted without written authority from the proprietor. Property of ©BERG ELECTRONICS Copyright BERG ELECTRONICS INC.

PRODUCT NO.
TA-531

PUSH TO
INSTALL

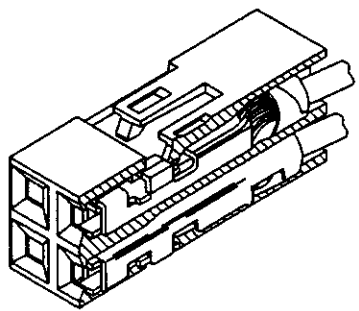


FIGURE 1

TO TEST LATCH
RETENTION

HAND TOOL HT-80

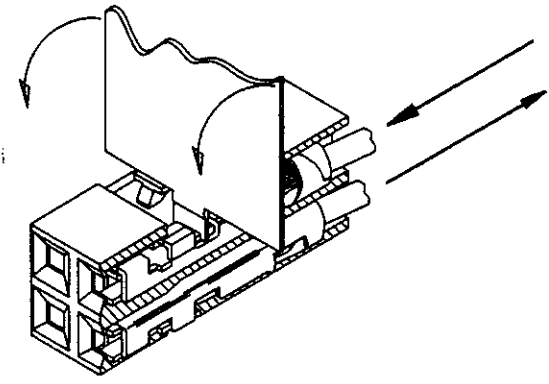


FIGURE 2

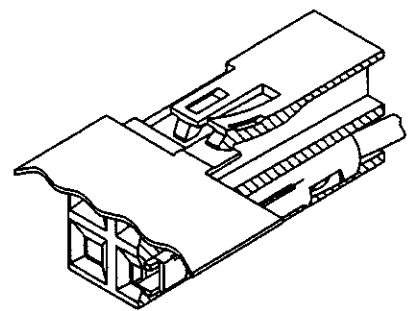


FIGURE 3

TO REMOVE TERMINAL
SEE NOTE 2

NOTES:

1. TO LATCH TERMINAL PUSH AS SHOWN IN FIGURE 1, BE SURE THAT LATCH SNAPS DOWN.
- ② TO REMOVE TERMINAL; PUSH TERMINAL FORWARD, LIFT LATCH WITH HAND TOOL AS SHOWN IN FIGURES 2 & 3. DAMAGE TO LATCH MAY OCCURE IF LIFTED MORE THAN A 25° ANGLE TO THE TOP OF HOUSING.

mat'l. code		tolerances unless otherwise specified		CUSTOMER COPY		BERG ELECTRONICS		
ltr	ecn no	dr	date	linear	.XX ± .01 / .0± .3	projection	title INSTALLING OR REMOVING MAXI AND MINI LATCH TERMINALS	
A	V51094	GAH	11/8/95		.XXX ± .005 / .00± .13			INCH/MM
				angles	σ ± 2	size dwg no	code	
				dr	G. HULL 11/8/95			scale 3:1
				enrg	T. HANNA 11/8/95	sheet 1 of 1		
				chr	T. BREWBAKER 11/8/95			
				appd	T. HANNA 11/8/95			
sheet index	revision sheet	A	1					cage code 22526