



# **Storage Connectors**

## **Product Presentation**



# Storage Drive Connectors – Product Range



FCI offers a wide range of connector options to support the industry-standard interfaces between storage drives (HDD, SSD, ODD) and the backplanes, midplanes or drive carrier boards commonly used in storage applications in PCs, servers and storage systems.

[www.fci.com/products/storage](http://www.fci.com/products/storage)

## Serial Attached SCSI (SAS)/PCI-e

- 29/68 Pos Receptacle/Header
- Right-Angle or Vertical
- SMT/Press-Fit/Through-Hole
- Capable up to 12 Gb/s

## Single Connect Attachment 2 (SCA-2)

- 40/80P Pos Receptacle/Header
- FibreChannel or SCSI drives
- Capable up to 12 Gb/s

## Slimline SATA

- 13 Pos Receptacle/Header
- Used for optical drive system.

## Single Connect Attachment 2 (SCA-2)

- eSATA or eSATA/USB
- For connection between PC & external SATA drive.

## Serial ATA (SATA)

- 22 Pos Receptacle/Header
- Right-Angle or Vertical
- SMT/Press-Fit/Through-Hole
- Capable up to 6 Gb/s

## Information Versatile Disk for Removable (iVDR)

- Plug & Receptacle
- Between host system & iVDR media (HDD/SSD)

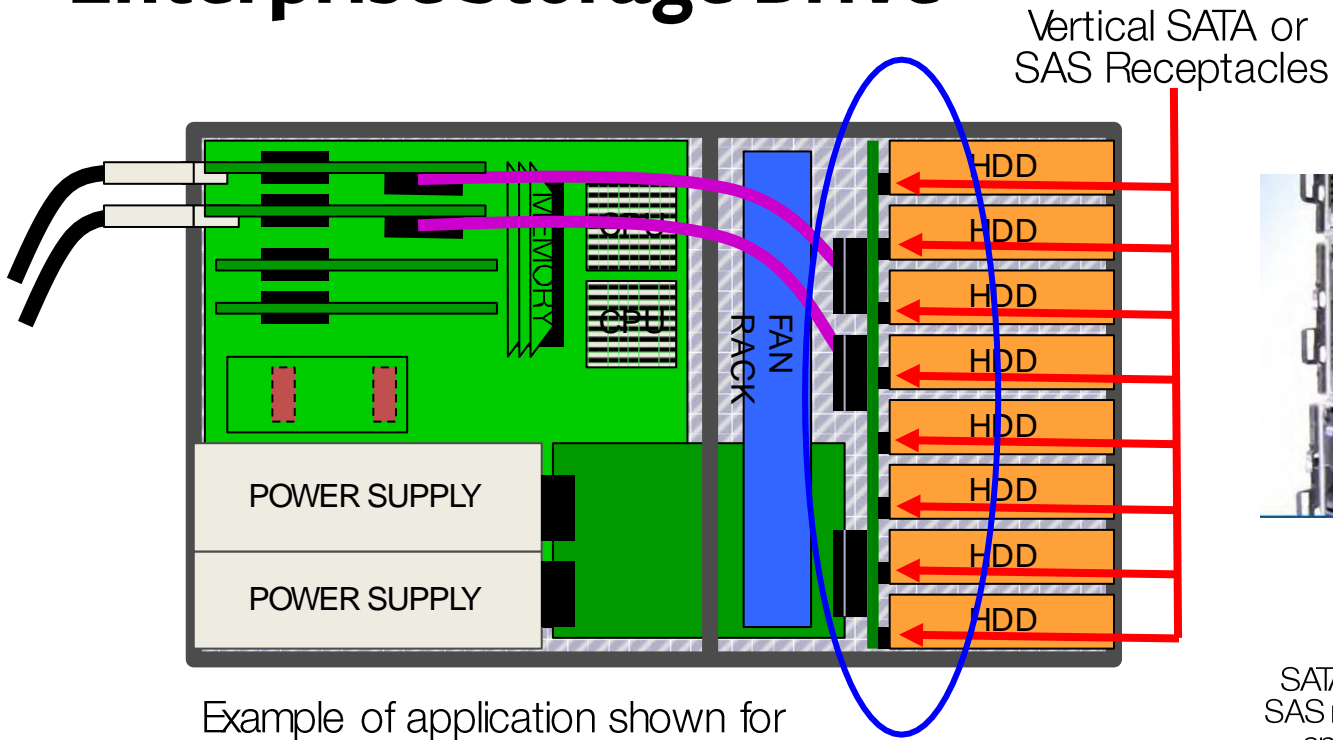
## Micro-SATA

- 16 Pos Receptacle/Header
- Used for 1.8" SATA drive connection

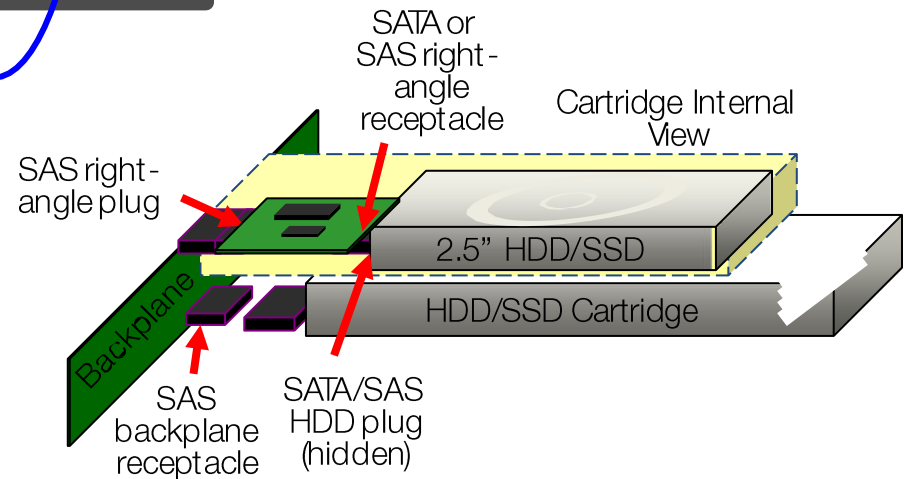
## Compression

- Single or Rec+Hdr available
- Used in HDD/board-to-board interface

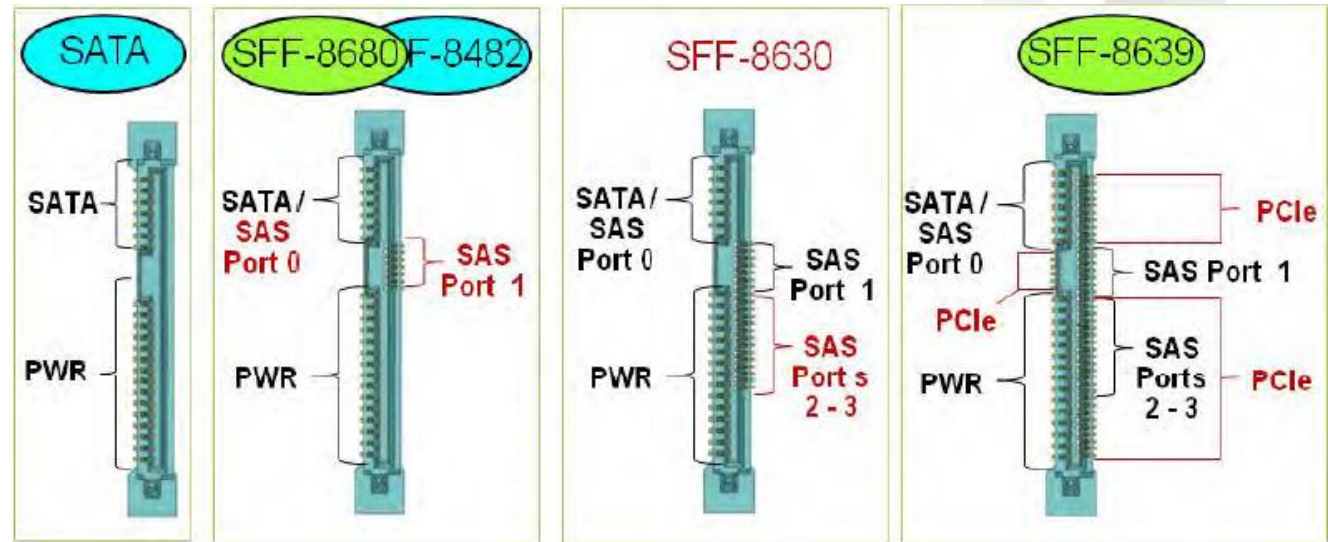
# Enterprise Storage Drive



Example of application shown for Server storage and HDD/SSD cartridges.



# Storage Interface Comparison



SATA	1.5 - 6 Gb/s	☺	☺	☺	☺
SAS	3 - 12 Gb/s		☺	☺	☺
Multilink SAS	12 Gb/s			☺	☺
SATA Express (PCIe)	} 8 Gb/s				☺
SCSI Express (PCIe)					☺
NVM Express (PCIe)					☺



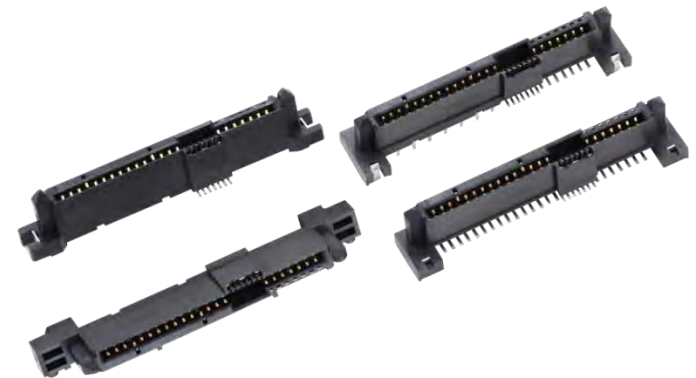
# 12G SAS Connectors



- The 29-position, SAS receptacle and plug connectors enable the implementation of the high-speed, Serial Attached SCSI (SAS) hard disk drive (HDD)/solid state drive (SSD) interface in enterprise storage applications, servers and storage systems
- The SAS connector system is designed to support hot plugging and blind mating of HDDs
- The high-speed, serial interface is designed to support differential signaling.
- FCI's SAS is able to perform up to a data speed of 12 Gb/s by incorporating ground bar design technology and conform to SFF8680 specifications



12G SAS Right Angle Plug



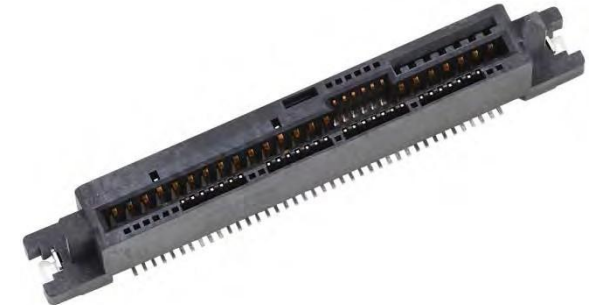
12G SAS Vertical & Right Angle Receptacles



# 12G SAS/PCIe Connectors



- The 68-position, SAS PCIe receptacle and plug connectors enable implementation of high-speed Serial Attached SCSI (SAS) hard disk drive (HDD) interface as well as Peripheral Component Express (PCIe) based devices such as solid state drive (SSD)
- FCI's 12G SAS/PCIe is able to perform up to a data speed of 12 Gb/s and conform to SFF8639 specifications
- The high-speed serial interface is designed to be back-ward compatible with 6Gbps SAS or SATA connectors.



12G SAS/PCIe Vertical Receptacle



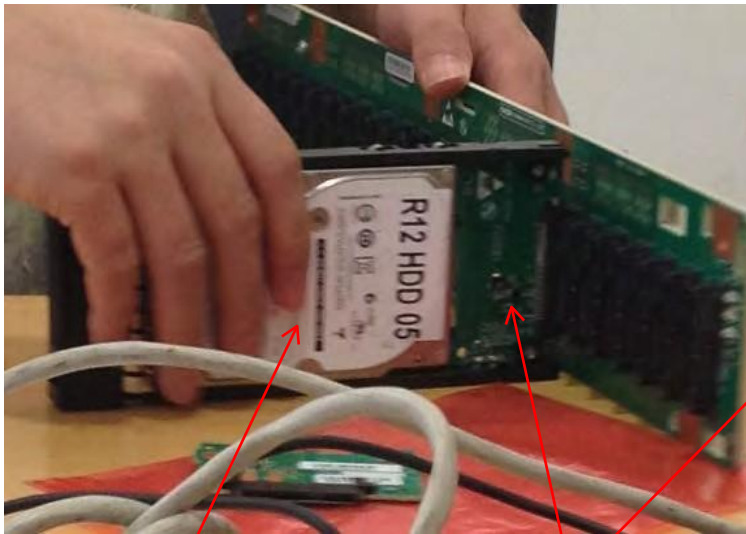
12G SAS/PCIe Vertical Plug

# Example of Interposer Card



Top Side

Bottom Side



6G SAS HDD

Interposer Card

6G SAS  
RA Receptacle

12G SAS  
RA Plug



**THANK YOU**

