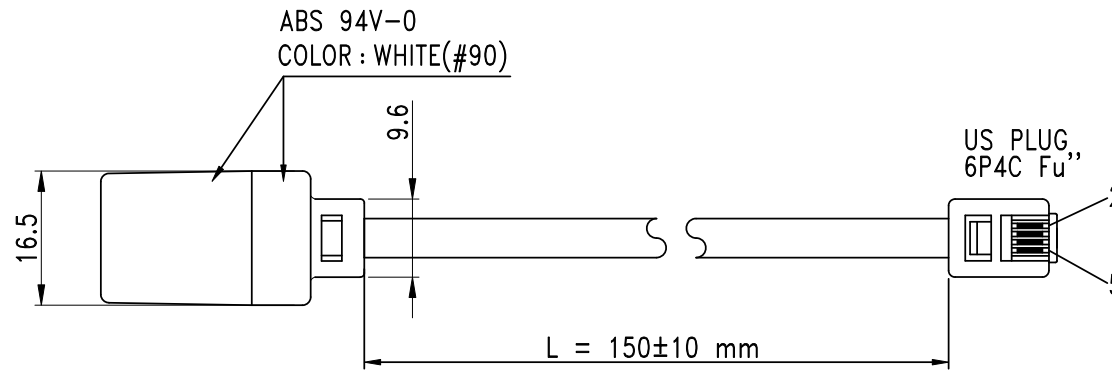


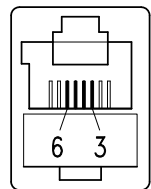
	ISSUE	REVISED	DRAWN	DATE
①				
②				
③				



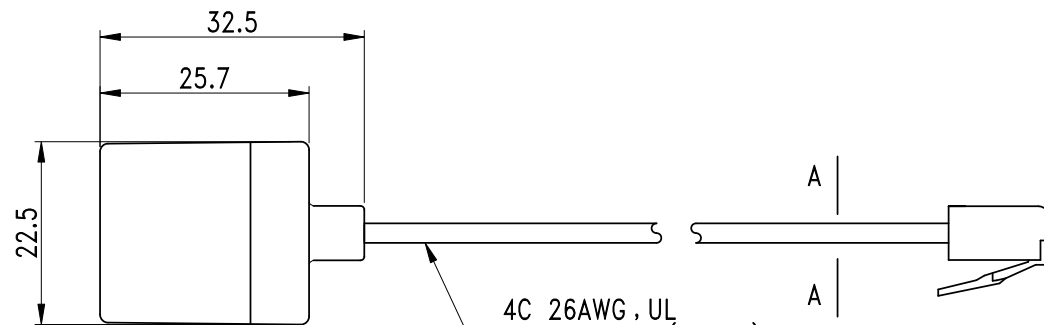
US JACK,
8P4C Fu''

US PLUG,
6P4C Fu''

- | | |
|---|--------|
| 3 | 2 (BK) |
| 4 | 3 (RD) |
| 5 | 4 (GN) |
| 6 | 5 (YL) |

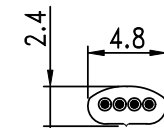


US JACK,
8P4C Fu''



4C 26AWG, UL
COLOR: WHITE(#F353)

PRINTING: E164535 AWM STYLE 20251 26AWG VW-1 60°C 150V
OR: E166160 AWM STYLE 20251 26AWG VW-1 60°C 150V



SECTION A-A (2:1)

P/N: BK4509

DESCRIPTION : Modular Extension Cord With Single Jack

SCALE	N/A	DATE	'17.07.03	CHECKED			ISSUE: A	SHEET 1 OF 1	TOLERANCES UNLESS OTHERWISE STATED
SIZE	A4	DRAWN	LIAO	APPROVED			CUSTOMER:	DWG No.	
UNIT	mm	AFFIRM		STANDARDIZE				LPJ	X. = ± 1 .X = ± 0.5 .XX = ± 0.2