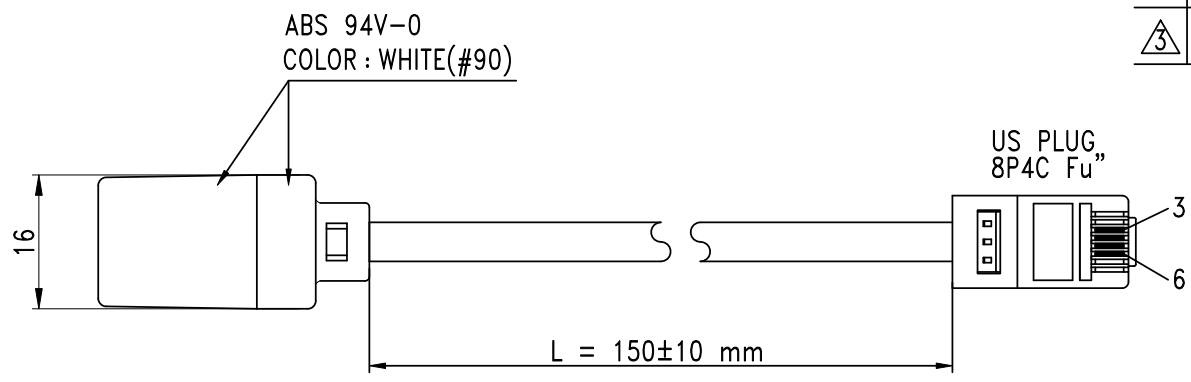


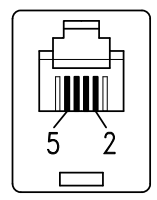
ISSUE	REVISED	DRAWN	DATE
①			
②			
③			



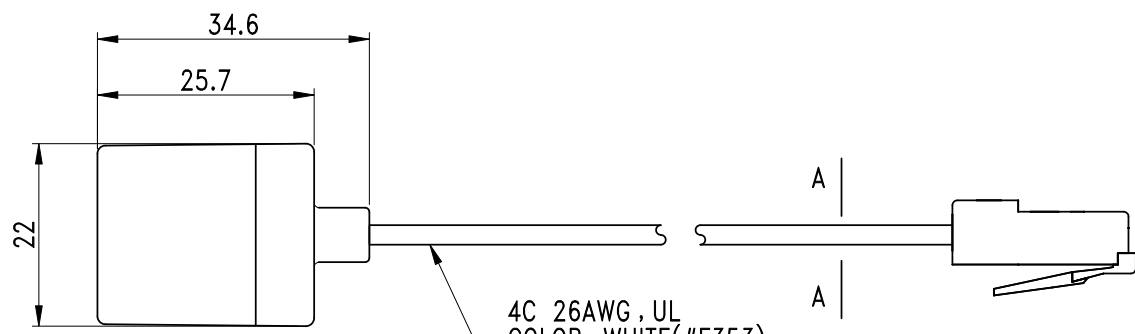
US JACK,
6P4C Fu”

US PLUG,
8P4C Fu”

- 2 ————— 3 (BK)
- 3 ————— 4 (RD)
- 4 ————— 5 (GN)
- 5 ————— 6 (YL)

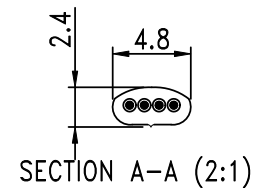


US JACK,
6P4C Fu”



4C 26AWG, UL
COLOR: WHITE(#F353)

PRINTING: E164535 ㉔ AWM STYLE 20251 26AWG VW-1 60°C 150V
OR: E166160 ㉔ AWM STYLE 20251 26AWG VW-1 60°C 150V



P/N: BK4510

DESCRIPTION : Modular Extension Cord With Single Jack

SCALE	N/A	DATE	'17.07.03	CHECKED		ISSUE: A	SHEET 1 OF 1	TOLERANCES UNLESS OTHERWISE STATED X. = ± 1 .X = ± 0.5 .XX = ± 0.2
SIZE	A4	DRAWN	LIAO	APPROVED		CUSTOMER:	DWG No.	
UNIT	mm	AFFIRM		STANDARDIZE			LPJ	