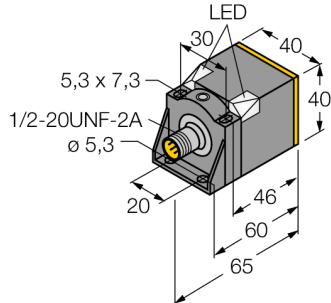
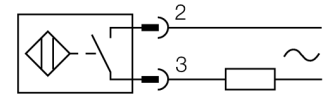


Inductive sensor
With increased switching distance
NI35U-CK40-ADZ30X2-B3131 W/BS4



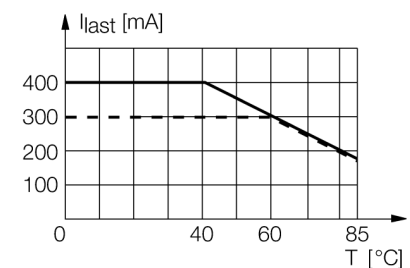
- Rectangular, height 40 mm
- Variable orientation of active face in 5 directions
- Plastic, PBT-GF30-V0
- Only use the included plastic clip BS4-CK40
- Factor 1 for all metals
- Increased switching distance
- Protection class IP68
- Large coverage
- Resistant to magnetic fields
- Extended temperature range
- High switching frequency
- AC 2-wire, 20...250 VDC
- DC 2-wire, 10...300 VDC
- NO contact
- 1/2" male connector

Wiring Diagram



Functional principle

Inductive sensors detect metal objects contactless and wear-free. *uprox®* Factor 1 sensors have significant advantages due to their patented ferrite-coreless multicoil system. They detect all metals at the same large switching distance and are resistant to magnetic fields.

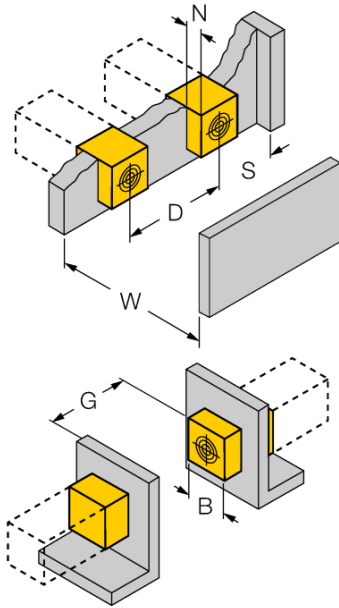


Type designation	NI35U-CK40-ADZ30X2-B3131 W/BS4
Ident-No.	4280431
Ident-No (TUSA)	M4280431
Rated switching distance S_n	35 mm
Mounting conditions	Non-flush
Secured operating distance	≤ (0,81 x S _n) mm
Repeat accuracy	≤ 2 % of full scale
Temperature drift	≤ ± 10 %
Hysteresis	≤ ± 20 %, ≤ -25 °C v ≥ +70 °C
Ambient temperature	3...15 % -30...+85 °C
Operating voltage	20...250VAC
Operating voltage	10...300 VDC
AC rated operational current	≤ 400 mA
DC rated operational current	≤ 300 mA
Frequency	≥ 50...≤ 60 Hz
Residual current	≤ 1.7 mA
Isolation test voltage	≤ 1.5 kV
Surge current	≤ 3 A (≤ 20 ms max. 5 Hz)
Short-circuit protection	yes/ Latching
Voltage drop at I _n	≤ 6 V
Wire breakage/Reverse polarity protection	yes/ Complete
Output function	2-wire, NO contact
Smallest operating current I _m	≥ 3 mA
Protection class	IP68
Switching frequency	0.01 kHz
Design	Rectangular, CK40
Dimensions	65 x 40 x 40 mm variable orientation of active face in 5 directions
Housing material	Plastic, PBT-GF20-V0, Black
Active area material	Plastic, PA6-GF30-X, yellow
Connector housing	metal, CuZn, nickel-plated
Electrical connection	Connector, 1/2"
Vibration resistance	55 Hz (1 mm)
Shock resistance	30 g (11 ms)
Protection class	IP68
MTTF	874 years acc. to SN 29500 (Ed. 99) 40 °C
Power-on indication	LED green
Switching state	LED yellow
Included in delivery	BS4-CK40

Inductive sensor
With increased switching distance
NI35U-CK40-ADZ30X2-B3131 W/BS4

Distance D	120 mm
Distance W	105 mm
Distance S	60 mm
Distance G	210 mm
Distance N	30 mm

Width active area B	40 mm
---------------------	-------



Accessories

Type code	Ident-No.	Description	
BSS-CP40	6901318	Mounting bracket for rectangular devices; material: Polypropylene	