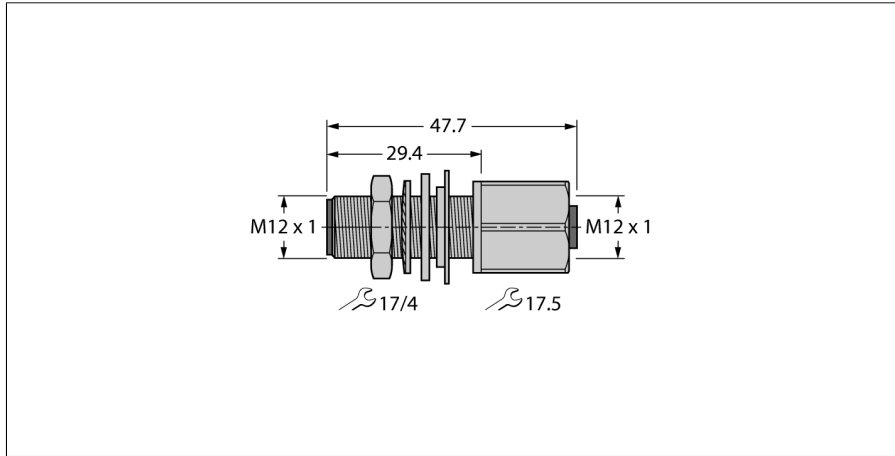
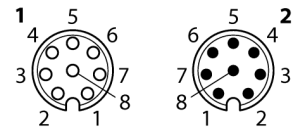


**Accessories for actuator/sensor cables**  
**Wall Feedthrough**  
**FK-FS8/M12**

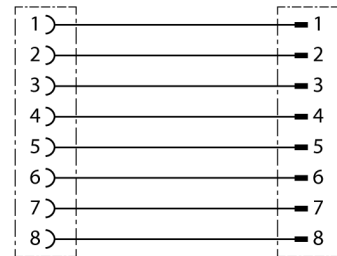


- M12 x 1 wall feedthrough, 8-pin
- Male on female
- Voltage: 36 V
- Ampacity: 1.5 A
- Temperature: -40...+80 °C
- IEC IP68; NEMA 1, 3, 4, 6P
- Approvals: UL, CSA

**Pin Assignment**



**Circuit Diagram**



<b>Type designation</b>	FK-FS8/M12
Ident no.	6922808
<b>Connector A side</b>	Male/Female, M12x1, Straight
Number of pins	8
Contacts	Metal, CuZn, Gold-plated
Contact carriers	Plastic, TPU, Yellow
Grip	Metal, CuZn, Nickel-plated
Coupling nut/screw	Brass
Screw-in thread	M12x1
Mechanical lifespan	> 100 Mating cycles
Pollution degree	3
Protection class	IP68, (screwed together)
<b>Connector B side</b>	Male receptacle
<b>Electrical features at +20 °C</b>	
Rated voltage	36 V
Current	1.5 A
Insulation resistance	≥ 10 <sup>8</sup> Ω
Forward resistance	≤ 5 mΩ
<b>Ambient temperature</b>	
Stationary	-40...+80°C