

Data sheet

BMT-DO4

BACnet module with digital outputs

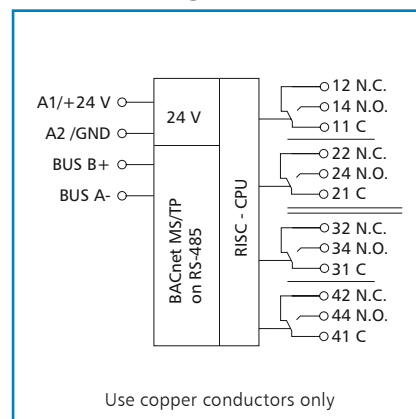
Part number
1108861321

2016-07-18

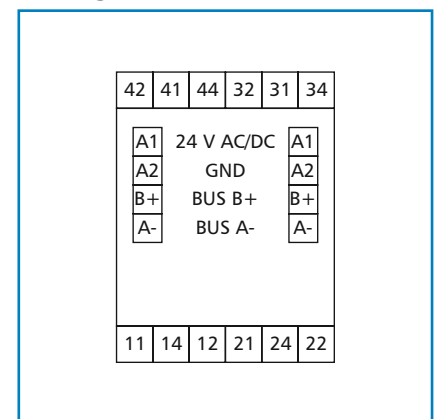
Illustrations



Principle diagram



Wiring



Product description

The BACnet MS/TP module with 4 digital outputs was developed for decentralized switching tasks.

It is suitable for switching electrical components, such as motors, contactors, lamps, louvers, etc.

With strong inductive loads, we recommend protecting the relay contacts additionally with an RC element.

The module is provided with a manual control for manually switching the relays.

The outputs can be switched by means of standard objects via a BACnet client. The module is addressed and the bitrate is set by means of two address switches on the front.

Suitable for decentralized mounting on DIN TH35 rail according to IEC 60715 in electrical distribution cabinets.

Data sheet
BMT-DO4
BACnet module with digital outputs

Page 2/4
Part number
1108861321
 2016-07-18

Technical data

Approvals

C-UL Certification	Open Energy Management Equipment 34TZ
--------------------	---------------------------------------

BACnet interface

Protocol	BACnet MS/TP
Address range	00 to F9
Transmission rate	9600 to 115200 Bit/s, factory setting 9600 Bit/s
Cabling	RS485 two wire bus with potential equalization in bus or line topology terminate with 120 Ohm

Supply

Operating voltage	24 V AC/DC \pm 10 % (SELV)
Current consumption	200 mA (AC) / 70 mA (DC)
Relative duty cycle	100 %

Outputs

Digital outputs	4
Output contact	4x changeover contact
Switching voltage max.	250 V AC
Continuous current	5 A per relay
Total current over all contacts	12 A
Permissible switching frequency	360 switching cycles per hour

General informations

Rated insulation voltage	230/400 V AC	
Overvoltage category	III	II
Pollution degree	2	2
Rated surge voltage	4 kV	2.5 kV
Type of insulation	basic insulation	reinforced insulation

Data sheet
BMT-DO4
BACnet module with digital outputs

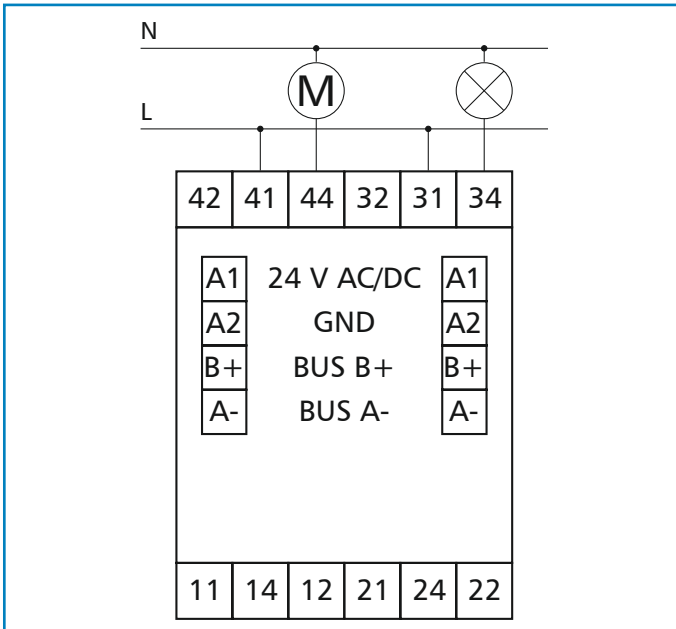
Page 3/4
Part number
1108861321
 2016-07-18

Technical data

Housing	
Dimensions WxHxD	1.378 x 2.728 x 2.362 in. (35 x 69.3 x 60 mm)
Depth including switches	2.717 in. (69 mm)
Weight	95 g
Mounting position	any
Mounting	on TH35 rail per IEC 60715
Side-by-side mounting	Without space The maximum quantity of Modbus modules connected side-by-side is limited to 15 or to a maximum power consumption of 2 Amps (AC or DC) per connection to the power supply. For any similar block of additional modules a separate connection to the power supply is necessary.
Material	
Housing	polyamide 6.6 V0
Terminal blocks	polyamide 6.6 V0
Cover	polycarbonate
Type of protection (IEC 60529)	
Housing	IP40
Terminal blocks	IP20
Terminal blocks	
Supply and bus	
Terminal block	4-pole
Solid wire	max. AWG 16 (1.5 mm ²)
Stranded wire	max. AWG 18 (1.0 mm ²)
Wire diameter	0.3 mm to max. 1.4 mm
Module connection, digital outputs	
Solid wire	max. AWG 12 (4 mm ²)
Stranded wire	max. AWG 14 (2.5 mm ²)
Wire diameter	0.3 mm to max. 2.7 mm
Protective circuitry	Polarity reversal protection of operating voltage Polarity reversal protection of supply and bus
Temperature range	
Operation	23 °F to 131 °F (-5 °C to +55 °C)
Storage	-4 °F to +158 °F (-20 °C to +70 °C)
Display	
Operating and bus activity	green LED
Error indication	red LED
Status of the outputs	yellow LEDs
Additional documents	
Software description, mounting note, certificates	All additional documents are available for download at www.metz-connect.com



Connection examples



Dimensional drawing

